

Mondella

600mm Mirrored Bathroom Cabinet Installation Guide

Pre-installation checks



STOP! - PLEASE READ BEFORE INSTALLING

Read all installation instructions before starting. If this product is not installed correctly, the warranty may be void.



IMPORTANT

The installer should check and adjust doors after installation, as transport or installation may cause misalignment.

- **Prior to installation, all parts and components should be thoroughly inspected for defects. This product will not be warranted if it has been installed with pre-existing defects.**
- **This product must not be installed in an area where it may be exposed to splashing water from a bath or shower.**
- **Supplied fixings are for masonry walls only. It is the installer's responsibility to ensure that suitable fixings are used and that the product is mounted to a structure capable of supporting the weight of the cabinet when fully loaded.**

Note: This cabinet is supplied with left-hand door orientation only - not reversible.

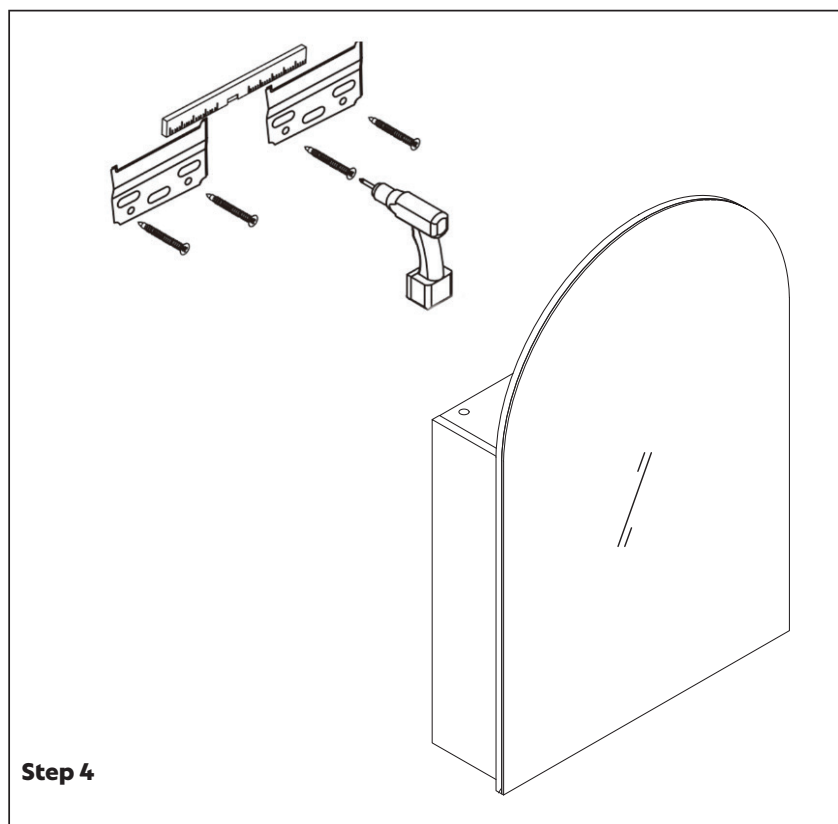
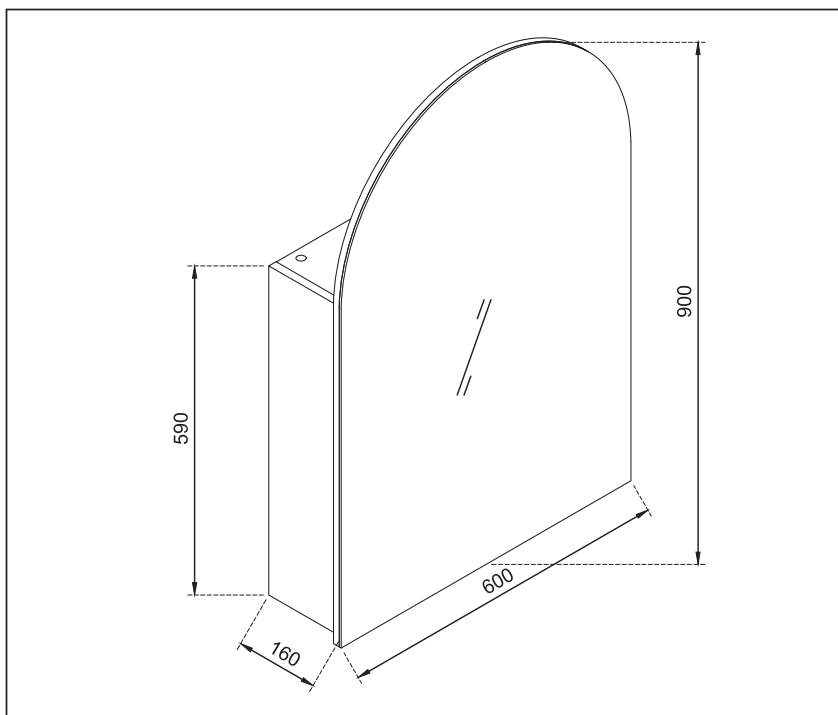
Step 1 Measure the distance between the hook brackets on the back of the cabinet.

Step 2 Mark this spacing on the wall at the desired height (if measuring inside the cabinet frame, reduce the measurement by **5mm** to allow for the mounting plates). Use a spirit level to ensure the marks are level).

Step 3 Check for hidden cables or pipes. Drill pilot holes and insert the supplied wall plugs flush with the wall.

Step 4 Fix the mounting plates to the wall using the supplied screws. Check they are level and fully tightened.

Step 5 Lift the cabinet and hook it onto the mounting plates. Ensure it is fully engaged and secure.



Step 4

CARE & MAINTENANCE

• The cabinet is moisture resistant, not waterproof. Damage may occur if the cabinet is exposed to water for extended periods of time. Excess water should be wiped dry at the earliest opportunity. Ensure the bathroom has adequate ventilation to prevent moisture build up.

• Clean with a soft cloth and warm soapy water or a mild detergent. Do not use abrasive cleaners or harsh chemicals. Ensure cabinet is adequately dried after cleaning. Avoid leaving residues from bathroom products on the surface for extended periods.