



Specialist Disability
Accommodation
(SDA) Improved
Liveability Design
Product Solutions



Your partner for Specialist Disability Accommodation (SDA) solutions

The Bunnings Commercial team is here to service you from the front gate to the back fence. We are committed to bringing you the most trusted brands that specialise in products tailored specifically for individuals living with a disability and supportive of Specialist Disability Accommodation (SDA). Across all building stages we've got you covered for your SDA Improved Liveability projects.

With over 130 years of supplying building and hardware solutions, Bunnings can supply everything from timber frames and trusses, to flooring, joinery, kitchens, appliances, commercial grade windows, façades, plumbing, lighting and more to cover all elements of an SDA Improved Liveability design. We're much more than a supplier, we're your partner. In addition to all the specialist products required for an SDA build, we can also supply you with:

- ✔ **Foundations and Footings**
- ✔ **Windows**
- ✔ **External Cladding**
- ✔ **Roofing**
- ✔ **Insulation**
- ✔ **Heating, Cooling and Ventilation**
- ✔ **Hot Water solutions**
- ✔ **Outdoor Timber**
- ✔ **Fencing**
- ✔ **Fasteners and Fixings**

© Bunnings Group Limited August 2024

The information contained in this publication is intended for qualified and experienced building professionals, is of a general nature, and draws information from the NDIS Specialist Disability Accommodation Design Standard (Edition 1.1 Issue Date 25 October 2019) as a guide only. See below for details. It does not take into account individual circumstances, objectives or applicable requirements at law or otherwise. You should not act on the basis of or rely on this information without checking that the information is still current, satisfying yourself the solutions and products proposed meet your or your client's specific needs and where applicable, obtaining advice from a suitably qualified professional. Any claims of product compliance, including with respect to the applicable Australian Standards or suitability in terms of meeting the NDIS Specialist Disability Accommodation Design Standard have been provided by our product suppliers and have not been independently verified by Bunnings. Installation is your responsibility unless Bunnings agrees to supply and manage installation for applicable products, such as joinery and flooring. Photos used in this publication are for illustrative purposes only and products that are available for sale may vary. Some products listed may not be available for immediate purchase.

The NDIS Specialist Disability Accommodation Design Standard (Edition 1.1 Issue Date 25 October 2019 www.ndis.gov.au/sda) licensed by the National Disability Insurance Agency (NDIA) under a Creative Commons Attribution 4.0 International Licence CC BY 4.0 has been used in the creation of this publication. The information in this publication is considered accurate at the time of publishing.



Member of the SDA Alliance



As a national peak body, the SDA Alliance represents SDA market participants across the country. We aim to drive better housing outcomes for people with disability that enhance independence, wellbeing, and quality of life. Our members include SDA providers, institutional investors, developers, builders, financial institutions, allied health professionals and industry consultants. Our members make a significant impact on the lives of people with disability- by providing housing that is safe, innovative and designed to serve the the needs of SDA participants.

Leading Brands

Bradley

AUSTRALIA.COM

For the past 60 years, Bradley Australia have manufactured and supplied a comprehensive range of high-quality, competitively priced accessible washroom accessories across a variety of industries. Their products all comply with the relevant codes including AS1428. Durability, design and attention to detail, combined with easy installation, make choosing Bradley not just the right choice for your project but for your business and bottom line.

euro appliances

Euro Appliances and the Eurostyle Group is an Australian owned and operated company, established in 2002. Since then, the Euro brand has continually evolved to become a household name within the appliance industry. All their appliances are covered by a three-year full parts and labour warranty. Euro Appliances aim to always provide a high standard of customer assistance, with an Australian based service team that can assist with any information or queries regarding their products.





Environmental, Social & Governance at Bunnings

Responsible sourcing

At Bunnings, we're committed to ensuring the products we sell, come from legal and sustainable operations, with good working conditions and fair treatment of people. As such, we continue to pursue sustainability by striving to make them socially responsible, environmentally aware and economically viable.

Sustainability

We are also committed to helping customers live more sustainably, and we are proud of the role we play in supporting local communities to make a positive difference. We recognise that our business plays an important role in reducing carbon emissions and addressing climate change. We have a comprehensive roadmap in place to reduce our energy consumption and to transition towards using more renewable energy sources.

In our Community

Bunnings is committed to participating in the communities in which we operate by contributing to local, regional and national causes, charities and organisations throughout Australia and New Zealand. We provide ongoing assistance to a wide range of local community groups including schools, sporting clubs and service clubs.



[For full details on our responsible sourcing, sustainability or community commitments click here](#)



PRODUCT CATEGORIES

Doors & Door Hardware

Floor & Wall Linings

Electrical

Assistive Technology

Kitchen & Laundry

Bathroom

The NDIS SDA Design Standard (SDA) must be consulted with respect to design and compliance requirements. The products presented in this catalogue also rely on correct installation to meet the requirements of AS1428.

DOORS & DOOR HARDWARE

Introduction

Entrance Doors

Internal Doors

Door Hardware

 [Home](#)

INTRODUCTION

The SDA Design Standard specifies the following door and door hardware requirements for Improved Liveability builds*:

- Doorways should have a minimum opening clearance of 820mm and have door handles installed at between 900mm to 1100mm above the finished floor level
- All internal doorways should have a level, step-free transition and threshold (maximum vertical tolerance of 3mm vertical or 5mm between abutting surfaces is allowable provided the lip is rounded or bevelled)
- Door handles selected must comply with AS1428.1
- While not a requirement for Improved Liveability builds, door automation provides added safety and security for all occupants

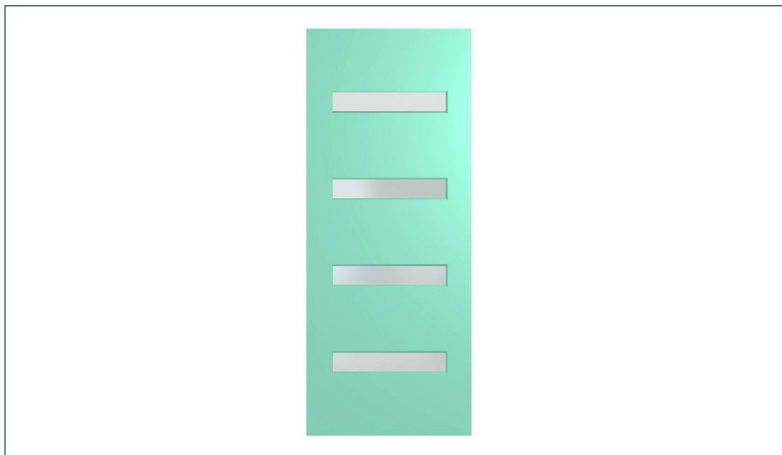
The NDIS SDA Design Standard (SDA) must be consulted with respect to design and compliance requirements. The products presented in this catalogue also rely on correct installation to meet the requirements of AS1428.

ENTRANCE DOORS

Door Entrance Newington Translucent Laminate

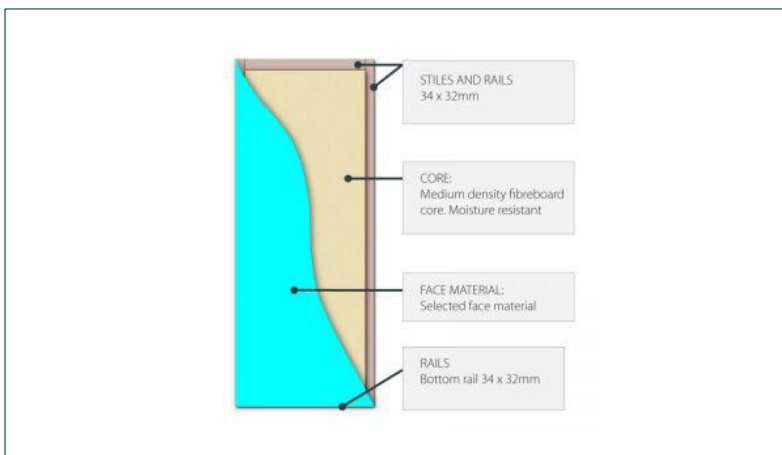
I/No: 2034079 Supplier Code: XN5 G2

Product Dimensions: 2040mm H x 870mm W x 40mm D **Warranty:** 5-year



Product Features:

- Solid core construction engineered for strength and stability
- Timeless design with laminated glass panel
- Duracote Tempered Hardboard
- Ready to paint



2030479	2040mm H x 870mm W x 40mm D
0482099	2040mm H x 920mm W x 40mm D
0998842	2040mm H x 1020mm W x 40mm D

[Click here for more product information](#)

*By clicking this link you are being taken to an external website.

[Home](#)

Entrance Doors

Urban Entrance Door Primed



I/No: 2025060 **Supplier Code:** PURB4 58059

Product Dimensions: 2040mm H x 870mm W x 40mm D **Warranty:** 5-year



Product Features:

- Lightweight feature entry door
- Features CoriTech core construction
- External primed skin ready for painting

2025060	2040mm H x 870mm W x 40mm D
2019241	2040mm H x 920mm W x 40mm D

[Click here for more product information](#)

*By clicking this link you are being taken to an external website.

[Home](#)

Entrance Doors

Door External/Internal Flush Solicore

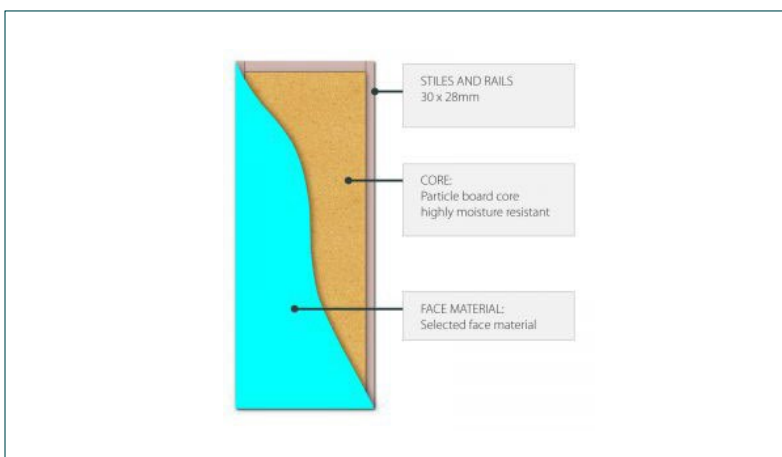
I/No: 0619393 Supplier Code: SCX1

Product Dimensions: 2040mm H x 870mm W x 40mm D **Warranty:** 5-year



Product Features:

- Solid construction
- Pre primed ready for paint
- Timber stiles and rails
- Solicore particleboard core construction



2025060	2040mm H x 870mm W x 40mm D
1976580	2040mm H x 920mm W x 40mm D
0619332	2040mm H x 1020mm W x 40mm D

[Click here for more product information](#)

*By clicking this link you are being taken to an external website.

[Home](#)

Internal Doors

Door Int Flush Honeycomb Primed MDF



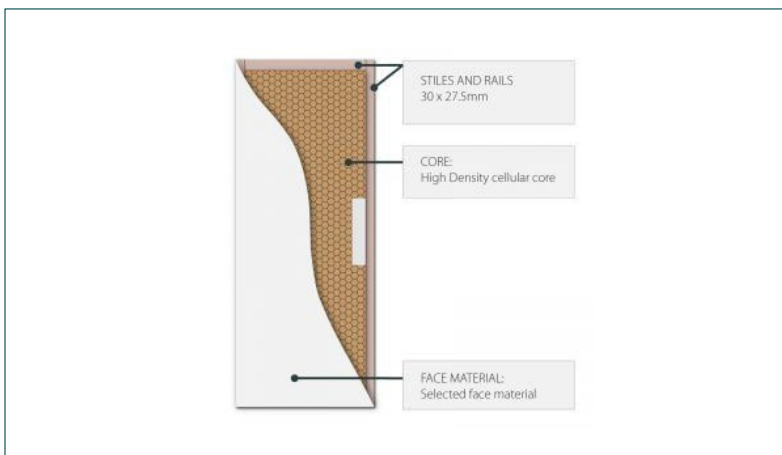
I/No: 1973121 Supplier Code: H1

Product Dimensions: 2040mm H x 870mm W x 35mm D Warranty: 5-year



Product Features:

- Lightweight and durable
- Versatile finishes for interior & exterior use
- Honeycomb core construction



1973121	2040mm H x 870mm W x 35mm D
2010170	2040mm H x 920mm W x 35mm D
1970271	2040mm H x 1020mm W x 35mm D

[Click here for more product information](#)

*By clicking this link you are being taken to an external website.

[Home](#)

Pull Handles

Duke D Pull Handle 300mm

ZANDA
ARCHITECTURAL HARDWARE


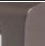


I/No: 0751949 **Supplier Code:** 7111.BB.SS

Product Dimensions: 330mm L x 300x10mm W x 55mm D **Warranty:** 20-year



Product Features:

- Can be installed to comply with AS1428
- Constructed of 316 marine grade stainless steel

0751949	Stainless Steel	
0751952	Graphite Nickel	
0751959	Satin Brass	
0751970	Matt Black	

[Click here for more product information](#)

*By clicking this link you are being taken to an external website.

[Home](#)

Pull Handles

Duke D Pull Handle 600mm

ZANDA
ARCHITECTURAL HARDWARE



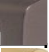

I/No: 0751920 **Supplier Code:** 7113.BB.BLK

Product Dimensions: 630mm L x 30x10mm W x 55mm D **Warranty:** 20-year



Product Features:

- Can be installed to comply with AS1428
- Constructed of 316 marine grade stainless steel

0751920	Matt Black	
0751887	Stainless Steel	
0751901	Graphite Nickel	
0751911	Satin Brass	

[Click here for more product information](#)

*By clicking this link you are being taken to an external website.

[Home](#)

Pull Handles

Duke D Pull Handle 900mm

ZANDA
ARCHITECTURAL HARDWARE



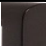

I/No: 0752108 **Supplier Code:** 7114.BB.GN

Product Dimensions: 930mm L x 30x10mm W x 55mm D **Warranty:** 20-year



Product Features:

- Can be installed to comply with AS1428
- Constructed of 316 marine grade stainless steel

0752108	Graphite Nickel	
0752084	Satin Brass	
0752077	Matt Black	
0751911	Satin Brass	

[Click here for more product information](#)

*By clicking this link you are being taken to an external website.

[Home](#)

Pull Handles

Wyatt Knurled D Pull Handle 470mm

I/No: 1028492 **Supplier Code:** 7385.BBSS



Product Dimensions: 470mm L x 20mm W x 58mm D **Warranty:** 20-year

ZANDA
ARCHITECTURAL HARDWARE



Product Features:

- Stainless steel construction.
- Radiused corners for improved ergonomics.
- 470mm overall length, 450mm centre to centre size.
- 20mm pull-bar width, with 58mm projection.
- 20-year mechanical warranty.
- Available in stainless steel finish.
- Sold as back-to-back pair & includes fixings.

1028492	Stainless Steel	
0128403	Matt Black	

[Click here for more product information](#)

*By clicking this link you are being taken to an external website.

[Home](#)

Mortice Lock Set

Mortice Lock Set Stainless Steel



I/No: 0791736 **Supplier Code:** Multiple

Product Dimensions: 85mm W x 175mm H x 25mm D **Warranty:** 10-year



Product Features:

- 60mm backset fire rated mortice lock
- Use Meilani return passage set, turnsnib escutcheon, and oval cylinder for complete entrance set solution
- Warranty:
 - Mortice lock 10 Year
 - Passage set 25 Year
 - Turnsnib 7 Year
- Accessible compliant



0791736	Mortice Lock
1028471	Meilani Passage Set
1028528	Turnsnib Escutcheon
N/A	Oval Cylinder

[Click here for more product information](#)

*By clicking this link you are being taken to an external website.

[Home](#)

Mortice Lock Set

Mortice Lock Set Matt Black

ZANDA
ARCHITECTURAL HARDWARE

I/No: 0791769 **Supplier Code:** Multiple

Product Dimensions: 85mm W x 175mm H x 25mm D **Warranty:** 10-year



Product Features:

- 60mm backset fire rated mortice lock
- Use Meilani return passage set, turnsnib escutcheon, and oval cylinder for complete entrance set solution
- Warranty:
 - Mortice lock 10 Year
 - Passage set 25 Year
 - Turnsnib 7 Year
- Accessible compliant



0791769	Mortice Lock
1028424	Meilani Passage Set
1028430	Turnsnib Escutcheon
0791681	Oval Cylinder

[Click here for more product information](#)

*By clicking this link you are being taken to an external website.

[Home](#)

Entrance Sets

G2 Sparta Entrance Set



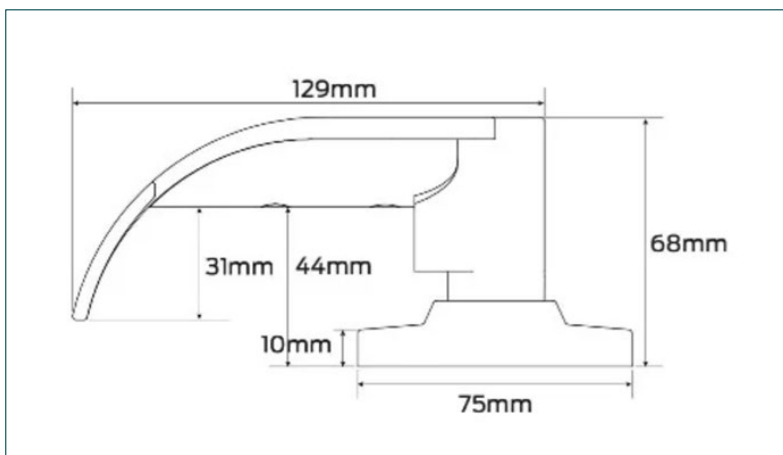
I/No: 0136390 **Supplier Code:** G2SENTSK

Product Dimensions: 129mm L x 68mm D **Warranty:** 10-year



Product Features:

- Fire rated
- Internal lever always unlocked
- Can be keyed alike
- Restricted master key option dependent on keying system
- Suits door thickness 35-50mm
- AS1428.1 Compliant



Entrance Sets

Phoenix Commercial Entrance Set

ZANDA
ARCHITECTURAL HARDWARE

I/No: 0604231 **Supplier Code:** 11020.SC

Product Dimensions: 134m L x 75mm W x 68mm D **Warranty:** 10-year



Product Features:

- Suitable for 35-47mm thick doors
- 70mm backset standard
- 75mm diameter rose
- C4, 6 pin keyway
- 10 Year mechanical warranty

0604231	Satin Chrome	
1028482	Matt Black	

[Click here for more product information](#)

*By clicking this link you are being taken to an external website.

[Home](#)

Entrance Sets

Haro Entrance Set

LEMAAR

I/No: 0555313 **Supplier Code:** 27000SSS

Product Dimensions: 135mm L x 66mm D **Warranty:** 10-year



Product Features:

- 6 Pin cylinder
- Marine grade 316 stainless steel
- Round 70mm rosette or backplate
- For timber or metal doors
- 54mm face hole
- Can be installed to meet AS1428

[Click here for more product information](#)

*By clicking this link you are being taken to an external website.

[Home](#)

Entrance Sets

Meilani Passage Set

ZANDA
ARCHITECTURAL HARDWARE

I/No: 1028471 **Supplier Code:** 8982.SS

Product Dimensions: 55mm Rose **Warranty:** 25-year



Product Features:

- 25 Year mechanical warranty
- 55mm rose
- Fire tested to AS1530.4
- Disabled compliant
- Stainless steel finish

1082471	Stainless Steel	
1028424	Matt Black	

[Click here for more product information](#)

*By clicking this link you are being taken to an external website.

[Home](#)

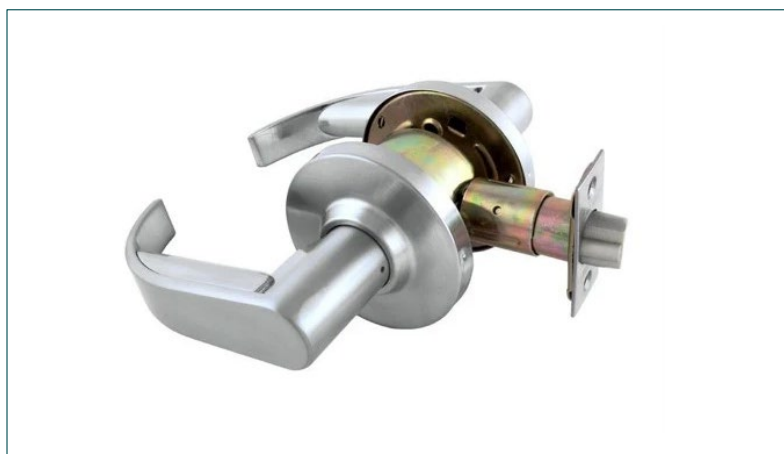
Passage Sets

G2 Sparta Passage Set



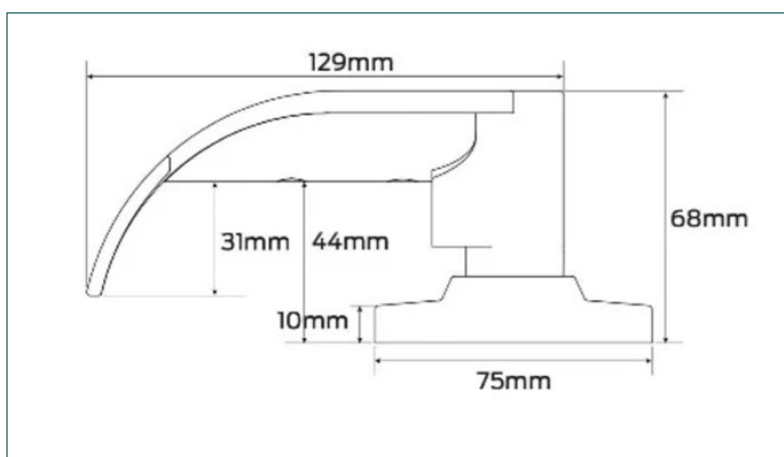
I/No: 1016413 **Supplier Code:** G2SPASS

Product Dimensions: 129mm L x 68mm D **Warranty:** 10-year



Product Features:

- Can be installed to meet AS1428.1 compliance
- Tested in excess of 400,000 operating cycles
- Snap-on inside rose conceals mounting plate and screws
- Supplied standard D & T strikes and spacer rings
- Ideally suited for residential, light & medium duty commercial applications
- Non-handed



Passage Sets

Neue Telo Passage Lever Set



I/No: 0501058 Supplier Code: 1905TELAMB

Product Dimensions: 50mm D x 65mm H x 148mm L Warranty: 10-year



Product Features:

- Return to face lever design
- Designed for access and mobility and meets DDA requirements
- Uses a standard 50-54mm cut-out
- Easy to install, with concealed fixing for a clean look

0501058	Matt Black	
0501044	Satin Chrome	

[Click here for more product information](#)

*By clicking this link you are being taken to an external website.

[Home](#)

Passage Sets

Haro Passage Lever

LEMAAR

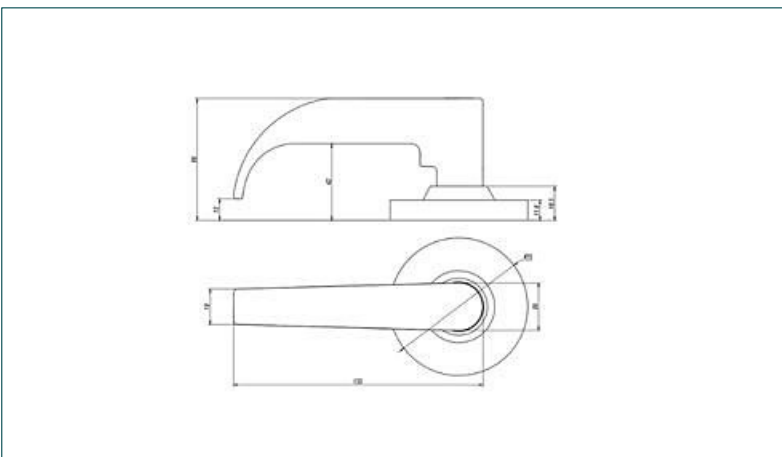
I/No: 0555318 Supplier Code: 27001SSS

Product Dimensions: 135mm L x 66mm D Warranty: 10-year



Product Features:

- Fire rated
- Can be installed to meet AS1428.1 compliance
- 316 marine grade stainless steel



[Click here for more product information](#)

[Home](#)

Privacy Sets

Meilani Privacy Set

ZANDA
ARCHITECTURAL HARDWARE

I/No: 1028496 **Supplier Code:** 8930.SS

Product Dimensions: 55mm Rose **Warranty:** 25-year



Product Features:

- 25 Year mechanical warranty
- 55mm rose
- Fire tested to AS1530.4
- Disabled compliant
- Stainless steel finish

1028496	Stainless Steel	
1028401	Matt Black	

[Click here for more product information](#)

*By clicking this link you are being taken to an external website.

[Home](#)

Privacy Sets

G2 Sparta Privacy Set



I/No: 0432021 **Supplier Code:** G2SPRIS

Product Dimensions: 129mm L x 68mm D **Warranty:** 10-year



Product Features:

- AS1428.1 compliant
- Tested in excess of 400,000 operating cycles
- Snap-on inside rose conceals mounting plate and screws
- Supplied standard D & T strikes and spacer rings
- Ideally suited for residential, light & medium duty commercial applications
- Non-handed

Privacy Sets

Neue Telo Privacy Lever



I/No: 0501030 **Supplier Code:** 1915TELAMB

Product Dimensions: 50mm D x 65mm H x 148mm L **Warranty:** 10-Year



Product Features:

- Return to face lever design
- Designed for access and mobility
- Privacy lever with an internal locking pin ensuring privacy where needed and an external emergency release for peace of mind
- Easy to install

0501030	Matt Black	
0501048	Satin Chrome	

[Click here for more product information](#)

*By clicking this link you are being taken to an external website.

[Home](#)

Privacy Sets

Haro Privacy Lever Set

LEMAAR

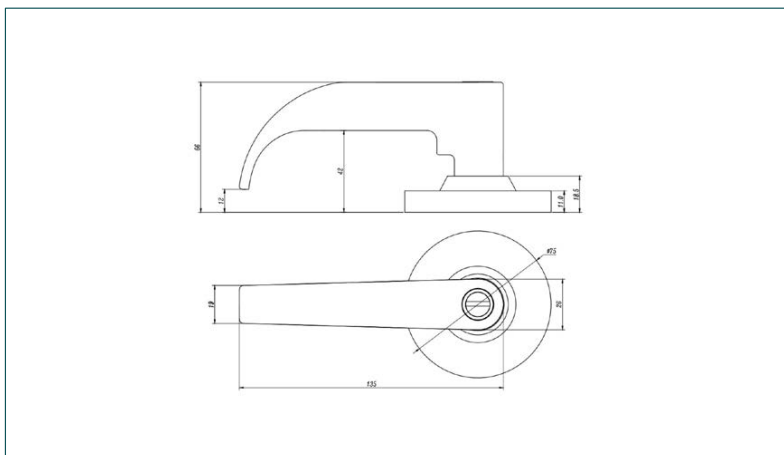
I/No: 0555316 Supplier Code: 27002SSS

Product Dimensions: 75mm W x 65mm H x 135mm L Warranty: 12-year



Product Features:

- Left or right handed
- Spacers included
- 54mm Face Hole
- 70mm backset from surface of door
- 316 marine grade stainless steel
- Fire rated.



[Click here for more product information](#)

*By clicking this link you are being taken to an external website.

[Home](#)

Commercial Lock Sets

Phoenix Commercial Storeroom Set





I/No: 0604220 **Supplier Code:** 11024.SC

Product Dimensions: 134mm L x 54mm D **Warranty:** 20-year



Product Features:

- Suitable for 35-47mm thick doors
- 70mm backset standard
- 75mm diameter rose
- C4, 6 pin keyway
- 10 Year mechanical warranty
- Stainless Steel Latch Bolt
- Fire tested to AS1530.4
- Can be installed to comply with AS1428.1

0604220	Satin Chrome	
N/A	Matt Black 11024.BLK	

[Click here for more product information](#)

*By clicking this link you are being taken to an external website.

[Home](#)

Commercial Lock Sets

Haro Storeroom Leverset

LEMAAR

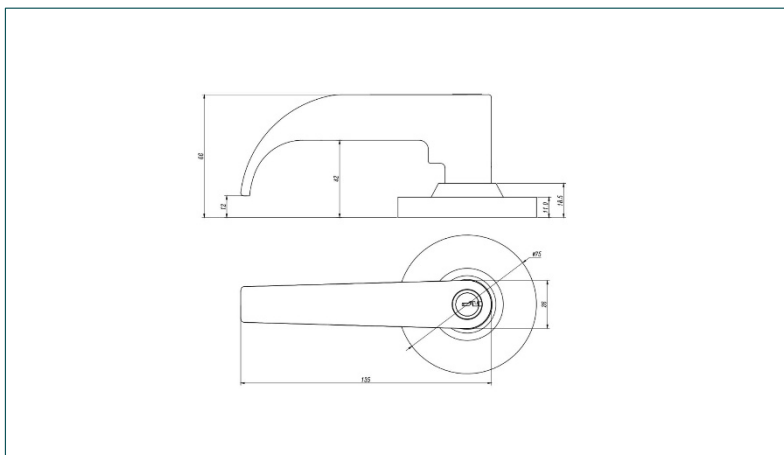
I/No: 0555319 Supplier Code: 27004SSS

Product Dimensions: 135mm L x 66mm D Warranty: 10-year



Product Features:

- 6 pin cylinder
- Marine grade 316 stainless steel
- Round 70mm rosette or backplate
- For timber or metal doors
- 54mm face hole
- Can be installed to meet AS1428.1



[Click here for more product information](#)

*By clicking this link you are being taken to an external website.

[Home](#)

Door Closers

Slide Arm Door Closer Combined Unit

ZANDA
ARCHITECTURAL HARDWARE


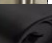
I/No: 1028461 **Supplier Code:** TS.11205.SNP

Product Dimensions: 461mm W x 98mm H x 43mm D **Warranty:** 35-year



Product Features:

- Opening angle 120 degrees
- Non-handed
- 35 Year warranty
- Adjustable latch and closing speed
- Max door width 1250mm
- Power size 2-5
- Max door weight of up to 110kg

1028461	Brushed Nickel	
1028520	Matt Black	

[Click here for more product information](#)

*By clicking this link you are being taken to an external website.

 Home

Door Closers

2615 Series Cam Action Door Closer



ASSA ABLOY

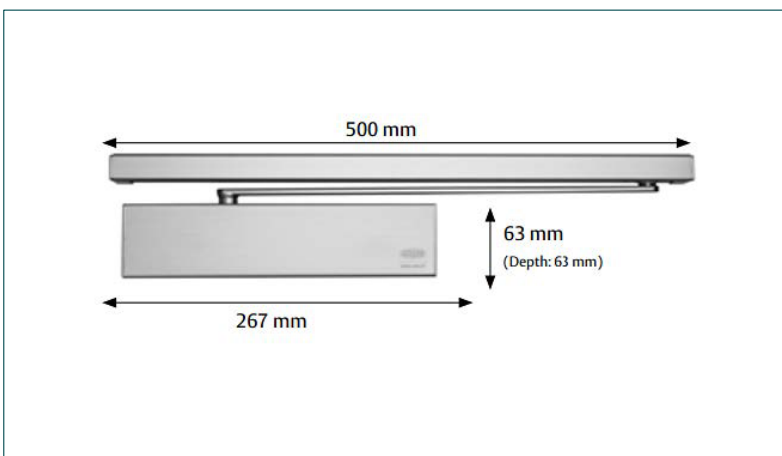
I/No: 0318242 Supplier Code: 23615DASIL

Product Dimensions: 500mm L x 63mm D Warranty: 25-year



Product Features:

- Cam Design means this premium door closer is light to open but still strong enough to close a door
- Can be adjusted to meet the requirements of a light door opening resistance and is ideal for interior and exterior doors.



[Click here for more product information](#)

*By clicking this link you are being taken to an external website.

[Home](#)

FLOOR & WALL LININGS

Introduction

Floor Tiles

Vinyl Flooring

Wall Linings

[Home](#)

INTRODUCTION

The SDA Design Standard specifies the following requirements for flooring in Improved Liveability builds*:

- All flooring for bathrooms, kitchens and laundries must be tested to a minimum slip resistance rating of P3 or R10
- Colour contrast should be provided between floor surfaces and wall surfaces

*The NDIS SDA Design Standard (SDA) must be consulted with respect to design and compliance requirements. The products presented in this catalogue also rely on correct installation to meet the requirements of AS1428.

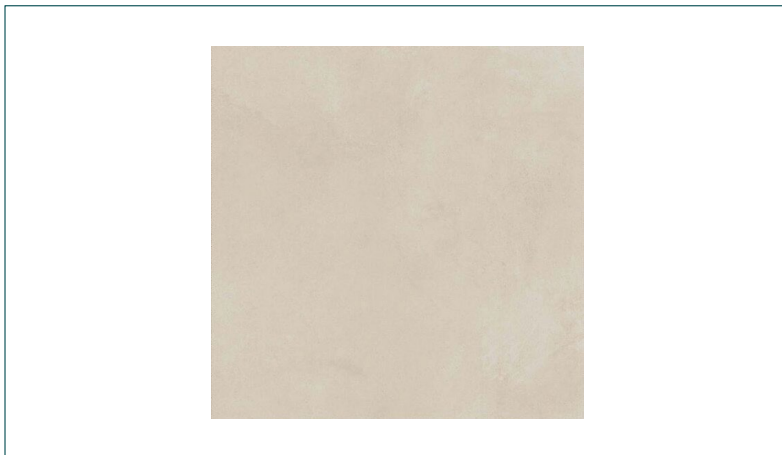
Floor Tiles

Cemento 400 x 400 Taupe Matte P4 Slip Rating





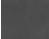
I/No: 0012635 **Supplier Code:** 714140

Product Dimensions: 400mm W x 400mm H x 8.4mm D **Warranty:** 10-year



Product Features:

- Ceramic indoor floor tile
- P4 slip rating
- Suitable for Bathroom, Entry, Kitchen, Laundry and Living floors

0012635	Taupe Matte	
0012634	White Matte	
0012633	Charcoal Matte	

[Click here for more product information](#)

*By clicking this link you are being taken to an external website.

[Home](#)

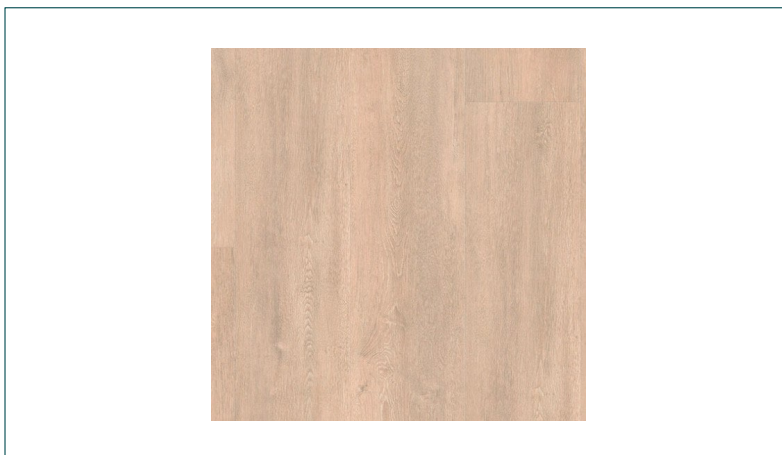
Vinyl Flooring

Virtuo Classic 55 XL Vinyl Plank Empire Clear
23cm x 150cm R10






I/No: 0676415 Supplier Code: 1012

Product Dimensions: 230mm W x 1500mm L x 25mm D Warranty: 15-year



Product Features:

- Virtuo Classic 55 planks are designed for permanent, glued installation
- Dryback
- Realistic appearance
- Easy to Install
- R10 Slip Rating

0676415	Empire Clear	
0676410	Empire Blond	
0676416	Astir Spotted Gum	

[Click here for more product information](#)

*By clicking this link you are being taken to an external website.

 Home

Wall Lining

Ezi-Line Magnum Board Rebated Edge 1200mm x 9mm



I/No: 0182467 **Supplier Code:** Ezi-Line Rebated 1200x9mm

Product Dimensions: 2400mm L x 1200mm W x 9mm D **Warranty:** 30-year



Product Features:

- High impact resistance
- Mould & insect proof
- Suitable for wet areas
- Silica free formula

0182467	2400x1200x9mm
0182468	2700x1200x9mm
0182469	3000x1200x9mm

[Click here for more product information](#)

*By clicking this link you are being taken to an external website.

[Home](#)

Wall Lining

Ezi-Line Magnum Board Square Edge 1200mm x 12mm

MAGNUM
BOARD

I/No: 0182470 **Supplier Code:** Ezi-Line Square Edge 1200x12mm

Product Dimensions: 2400mm L x 1200mm W x 12mm D **Warranty:** 30-year



Product Features:

- High impact resistance
- Mould & insect proof
- Suitable for wet areas
- Silica free formula

0182470	2400x1200x12mm
0182471	2700x1200x12mm
0182472	3000x1200x12mm

[Click here for more product information](#)

*By clicking this link you are being taken to an external website.

[Home](#)

Wall Lining

Easycraft 1200x9mm EasyVJ100 Wall Lining Primed General Purpose MR MDF E0



I/No: 0330364 **Supplier Code:** Multiple

Product Dimensions: 2400mm L x 1200mm W x 9mm D **Warranty:** 7-year



Product Features:

- Made from Moisture Resistant (MRE0) MDF
- Primed and ready to paint for fast, easy installation.
- Hidden tongue and groove easyJOIN+ system
- High impact resistance, 300% tougher than plasterboard
- Consistent board surface, no knot holes, splitting or splinters
- Australian made and owned

0330364	2400x1200x9mm
0440018	2700x1200x9mm
0330158	3000x1200x9mm

[Click here for more product information](#)

*By clicking this link you are being taken to an external website.

[Home](#)

ELECTRICAL

Introduction

Switches

Lighting

Exhaust Fans

[Home](#)

INTRODUCTION

The SDA Design Standard specifies the following Electrical requirements for Improved Liveability builds*:

- Light and power outlet switches should be rocker action, toggle or push pad with a minimum width of 35mm
- Dimmable lighting switches should be provided in living areas and bedrooms
- Task lighting should be provided above workspaces. A minimum level of 300lux should be achieved when tested at maximum intervals of 1500mm, directly over the surface of the benchtops
- Recessed lighting fixtures should be provided

The NDIS SDA Design Standard (SDA) must be consulted with respect to design and compliance requirements. The products presented in this catalogue also rely on correct installation to meet the requirements of AS1428.

Switches

HPM Como Double Power Point White Square



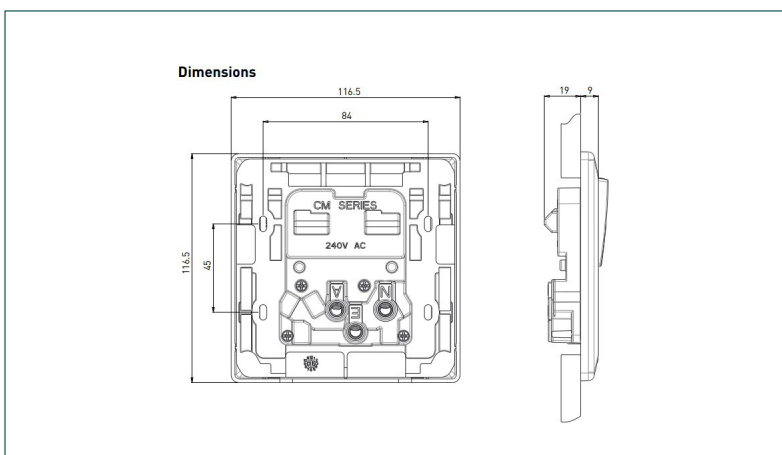
I/No: 4332201 Supplier Code: CM777WE

Product Dimensions: 117.0mm W x 117.0mm H x 9.0mm D Warranty: 1-Year



Product Features:

- Double powerpoint
- 10A 240V a.c.
- Plate Size: 114mm x 70mm
- Mounting Centres 84mm
- Colour: White
- Horizontal
- Cut-out size: 95 x 90 mm
- Plate dimensions: 116 x 116mm
- Plate thickness: 8mm



[Click here for more product information](#)

*By clicking this link you are being taken to an external website.

[Home](#)

Switches

HPM Como Single Power Point White Square



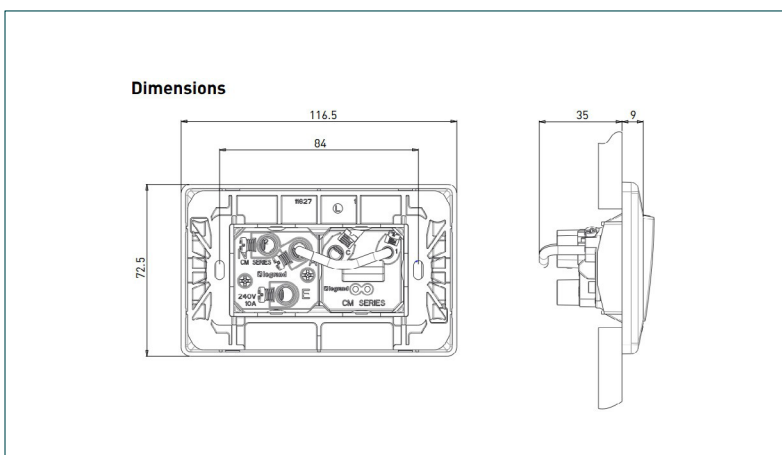
I/No: 4332202 **Supplier Code:** CM787WE

Product Dimensions: 116.0mm W x 72.0mm H x 8.0mm D **Warranty:** 1-year



Product Features:

- Single powerpoint
- 10A 240V a.c.
- Mounting Centres 84mm
- Colour: Matt White
- Horizontal
- Cut-out size: 95 x 50mm
- Plate dimensions: 116 x 72mm
- Plate thickness: 8mm



[Click here for more product information](#)

*By clicking this link you are being taken to an external website.

[Home](#)

Switches

HPM Como Single Gang Switch White



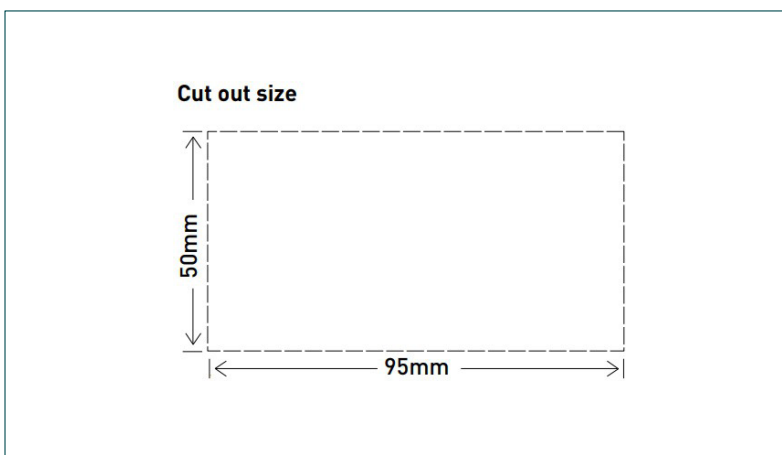
I/No: 4332199 **Supplier Code:** CM910/1HWE

Product Dimensions: 116.0mm W x 72.0mm H x 8.0mm D **Warranty:** 1-year



Product Features:

- Como Range - Switch
- Easy to see and use
- Customisable options available on this range
- Smooth switching action
- More fixing options - 4 corners
- Marked with red indicator line
- Cut-out size: 95 x 50mm
- Plate dimensions: 116 x 72mm
- Plate thickness: 8mm



[Click here for more product information](#)

*By clicking this link you are being taken to an external website.

[Home](#)

Switches

HPM Como Double Gang Switch White



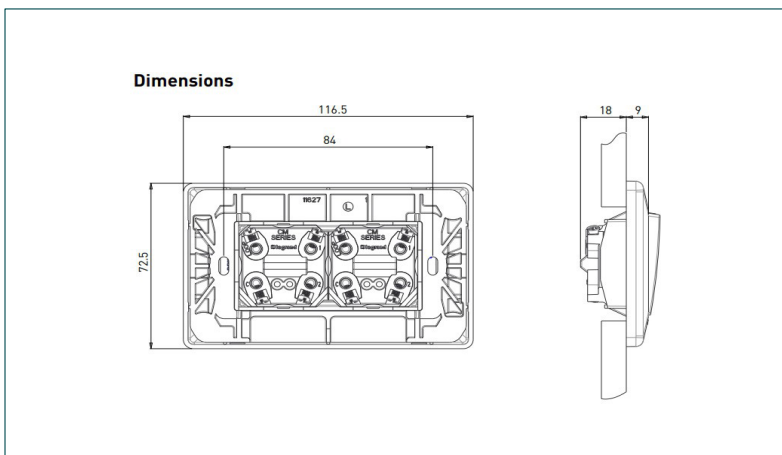
I/No: 4332200 Supplier Code: CM920/2HWE

Product Dimensions: 116.0mm W x 72.0mm H x 8.0mm D Warranty: 1-year



Product Features:

- Como Range - Switch
- Easy to see and use
- Customisable options available on this range
- Smooth switching action
- More fixing options - 4 corners
- Marked with red indicator line
- Cut-out size: 95 x 50mm
- Plate dimensions: 116 x 72mm
- Plate thickness: 8mm



[Click here for more product information](#)

*By clicking this link you are being taken to an external website.

Home

Switches

HPM Como Switch & Trailing Edge Dimmer



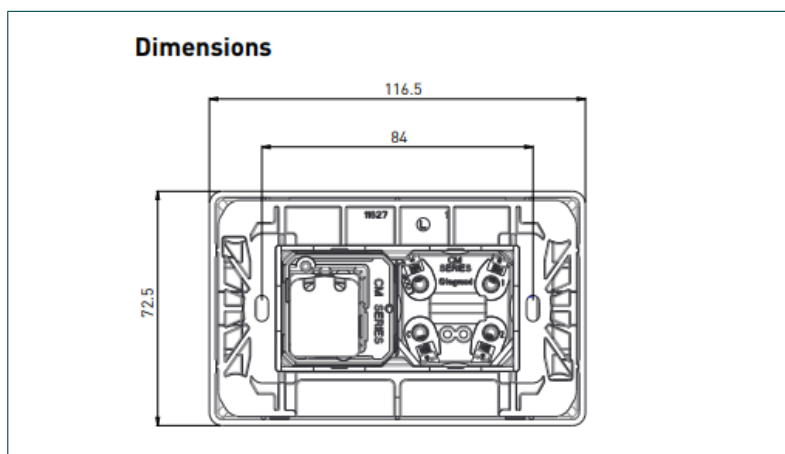
I/No: 0043389 Supplier Code: CM400THWE

Product Dimensions: 116.5mm W x 72.5MM x 9mm D Warranty: 1-year



Product Features:

- Quiet dimming operation
- Soft start -turns lamps on gradually to prolong lamp life
- Automatically dims lamp if the dimmer is overloaded or insufficiently de-rated
- Easy grip knob



Easy grip knob

[Click here for more product information](#)

*By clicking this link you are being taken to an external website.

[Home](#)

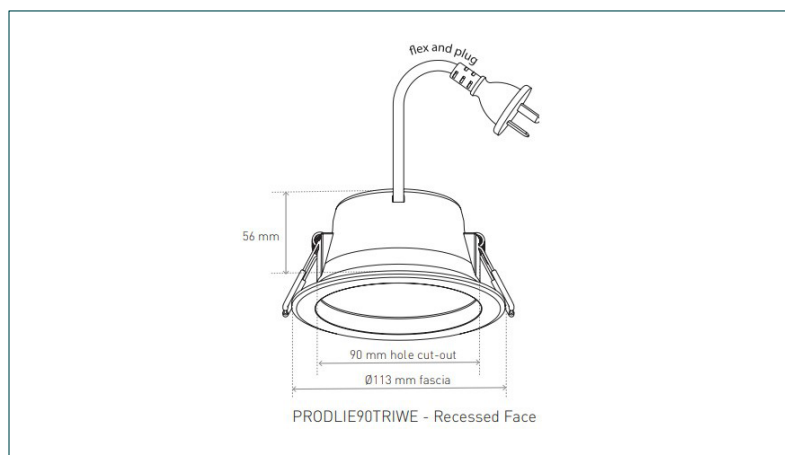
Lighting

HPM Alina Recessed 90mm Downlight LED Tricolour



I/No: 0465345 Supplier Code: DLIE90TRIWE

Product Dimensions: 90mm Diameter Warranty: 5-year



Product Features:

- Light colour selector: Easily switch between Warm (3,000K), Cool (4,000K) and Natural (5,000K) light colour temperatures
- Suitable for low ceiling cavities
- High quality flame retardant plastic construction
- Integral dimmable driver compatible with most quality dimmers
- For optimum dimming performance we recommend HPM or Legrand dimmers
- IP44 rating suitable for outdoor undercover areas
- 2,500 V electrical surge protection
- IC-4 and IC-Finsulation rating: This downlight can be fully covered and abutted by insulation material

[Click here for more product information](#)

*By clicking this link you are being taken to an external website.

[Home](#)

Exhaust Fans

Deta 250mm Side Duct Exhaust Fan



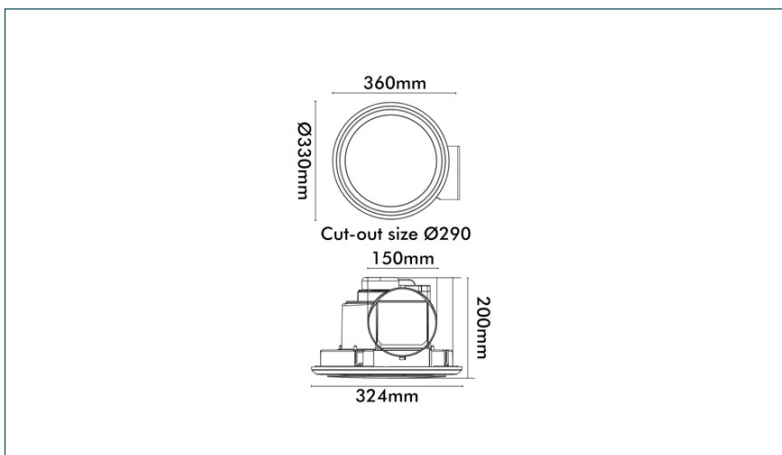
I/No: 4441225 Supplier Code: DE225

Product Dimensions: 250mm Diameter Warranty: 1-year



Product Features:

- Long life ball bearing motor
- Axial fan blade
- High volume air extraction
- Plug and cable included
- Hole cut-out size Ø290mm



[Click here for more product information](#)

*By clicking this link you are being taken to an external website.

[Home](#)

Exhaust Fans

HPM 372mm White Round Ducted Exhaust Fan



I/No: 4450530 Supplier Code: EFD01RDWE

Product Dimensions: 150mm Diameter Warranty: 3-year

**Product Features:**

- Ideal for bathrooms, kitchens and laundries
- Whisks away steam and odours
- Helps prevent build-up of mould, mildew and fogging mirrors
- Strong air extraction, up to 330m³ / h
- Easy plug-in connection
- UV resistant plastic
- 3-year warranty

[Click here for more product information](#)

*By clicking this link you are being taken to an external website.

 Home

ASSISTIVE TECHNOLOGY

Introduction

Home Automation

INTRODUCTION

The SDA Design Standard recommends the provision of emergency power solutions to Fully Accessible builds*.

*The NDIS SDA Design Standard (SDA) must be consulted with respect to design and compliance requirements. The products presented in this catalogue also rely on correct installation to meet the requirements of AS1428.

Home Automation

LivigySmart Home Assistive Technology Onsite Overnight Kit



I/No: 0676209 Supplier Code: SDA-00A-KIT

Product Dimensions: 660mm W x 675mm H x 510mm D Warranty: 10 Years

**Product Features:**

- Wall-mount rack-to-house equipment
- Cloud managed networking (router, POE switch, Wi-Fi 6 access point)
- Patch cables and accessories
- Desktop phone
- Calling plan
- 24/7 phone/email support

Home Automation and Emergency Power Solutions

Livigy Smart Home Assistive Technology UPS Kit



I/No: 0676206 Supplier Code: SDA-UPS-1

Product Dimensions: 425mm D x 320mm H x 190mm W Warranty: 10-years



Product Features:

- Small form factor
- UPS bypass switch for easy access
- Standard 10-amp power circuit
- 2-Hour runtime @ 200 Watts demand
- Line interactive for silent operation

KITCHEN & LAUNDRY

Introduction

Tapware

Sinks

Appliances

 [Home](#)

INTRODUCTION

The SDA Design Standard specifies the following requirements for Kitchens and Laundries in Improved Liveability builds*:

- Kitchen with a fixed cooktop with a rangehood, an in-built oven, a sink with tap and a standard or drawer style dishwasher
- Laundry with a sink or tub with taps
- D-pull cupboard handles located towards the top of below-bench cupboards and towards the bottom of overhead cupboards for both kitchen and laundry

The NDIS SDA Design Standard (SDA) must be consulted with respect to design and compliance requirements. The products presented in this catalogue also rely on correct installation to meet the requirements of AS1428.

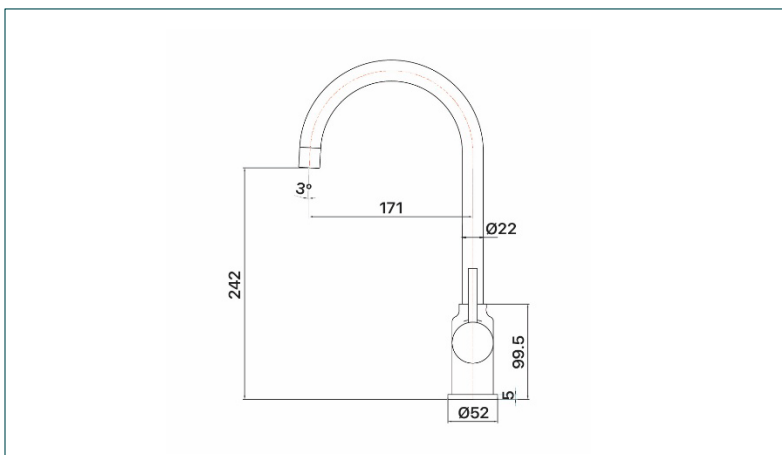
Tapware

Shea Sink Mixer



I/No: 0720684 **Supplier Code:** 11SL261CLF

Product Dimensions: 242mm H x 52mm Diameter **Warranty:** 10-year



Product Features:

- High-quality 35mm European ceramic disc cartridges, providing a smooth action & reliable functioning for years to come.
- High-quality PVD & electroplated finishes to ensure durability & long-lasting colour.
- The robust connectors & hoses are burst-proof, anti-kink & corrosion-resistant.

0720684	Chrome	
0720737	Matt Black	
0829212	Brushed Nickel	

[Click here for more product information](#)

*By clicking this link you are being taken to an external website.

Home

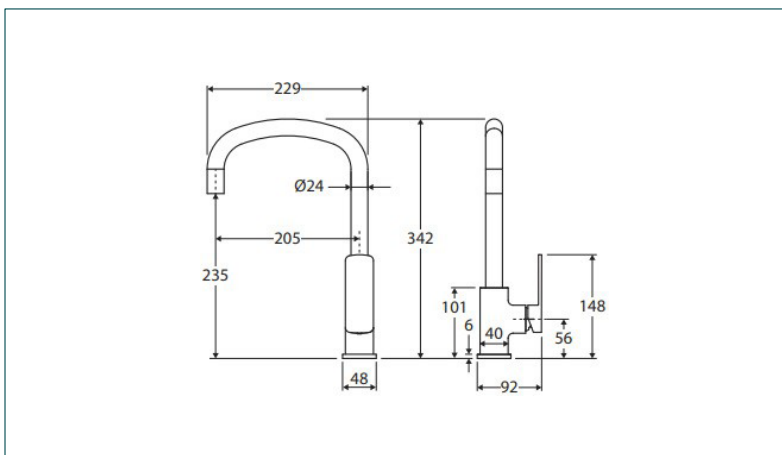
Tapware

Tono Sink Mixer

fienza

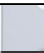


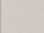
I/No: 1057568 Supplier Code: 233105-LF

Product Dimensions: 342mm H x 229mm D x 48mm W Warranty: 5-year



Product Features:

- Designed for kitchen and laundry
- Extended arch outlet
- Swivel function
- High quality European cartridge (25 mm)
- PEX split-resistant hoses
- Made from eco-friendly lead-free brass - defined as containing less than 0.25% lead
- Please note, these products may have a visible Fienza or Watermark logo
- WELS 6 Star rated, 4.5L/min; WELS Registration: T41441

1057568	Chrome	
1057569	Matte Black	
1057567	Urban Brass	
N/A	Brushed Nickel 233105BN-LF	

[Click here for more product information](#)

*By clicking this link you are being taken to an external website.

 Home

Tapware

HomeCare Assistant Living Sink Mixer CAROMA | Made For Life

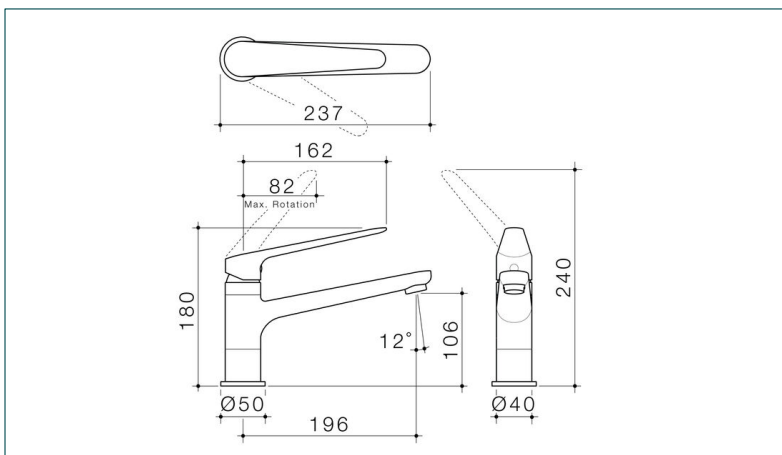
I/No: 0676541 Supplier Code: 98273B4AF

Product Dimensions: 180mm H x 40mm W x 237MM L Warranty: 20-Year



Product Features:

- Australian design and engineered
- Engineered from Lead Free brass
- Caroma tapware is 100% lead tested
- Water and energy efficient WELS 4 star flow rate (7.5L/min)
- 170deg outlet rotation
- Can be installed to comply with AS1428.1 Access and Mobility requirements
- Large colour indicators for easier identification
-



0676541	Matte Black
0676529	Chrome
0676536	Brushed Nickel

[Click here for more product information](#)

*By clicking this link you are being taken to an external website.

[Home](#)

Tapware

Venezia Gooseneck Sink Mixer
Chrome

JohnsonSuisse
Bathroom Solutions

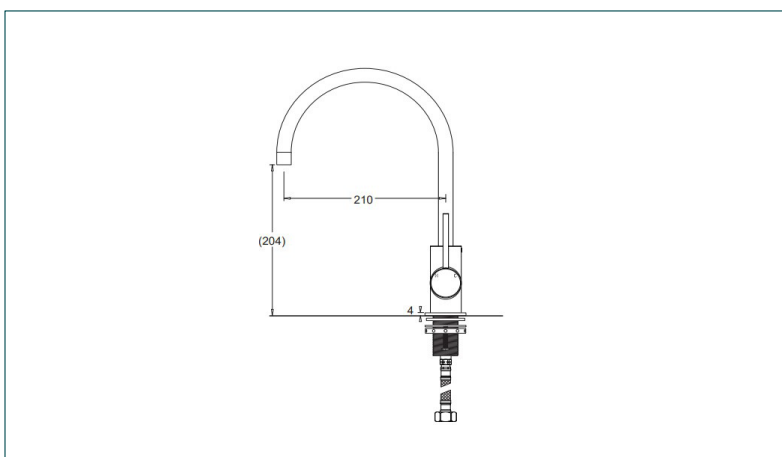
I/No: N/A Supplier Code: JTV403CH

Product Dimensions: 345mm H x 40mm W x 210mm D Warranty: 20-year



Product Features:

- Curved spout sink mixer with pin lever handle
- Height 345mm
- Durable chromed brass with 35mm ceramic disc
- Simple, secure fixing system
- WELS 5 Star, 5L/min. T38515



[Click here for more product information](#)

*By clicking this link you are being taken to an external website.

[Home](#)

Sinks

Tiva 420 Single Kitchen Sink Top or Undermount



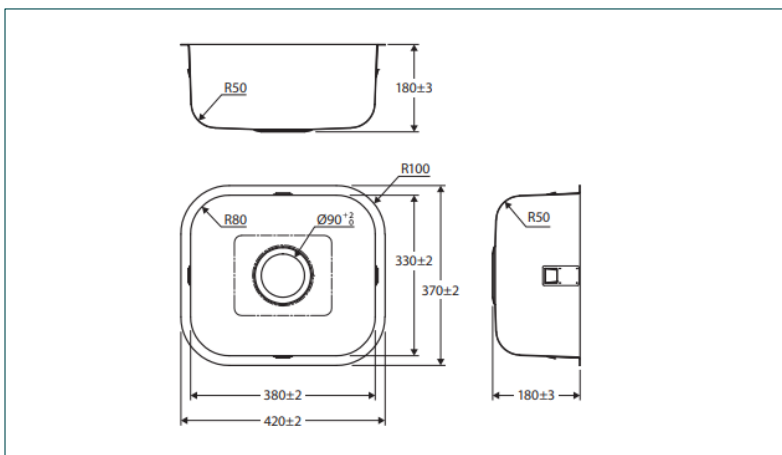
I/No: 1057566 Supplier Code: 68102

Product Dimensions: 420mm W x 370mm H x 180mm D Warranty: 25-year



Product Features:

- Designed for smaller kitchens and outdoor living areas
- Made from polished, 304 grade stainless steel
- Basket waste included (A3)
- Topmount or undermount installation
- Sealing tape and mounting clips included



[Click here for more product information](#)

*By clicking this link you are being taken to an external website.

Home

Sinks

Tiva 780 Single Sink with Drainer

fienza

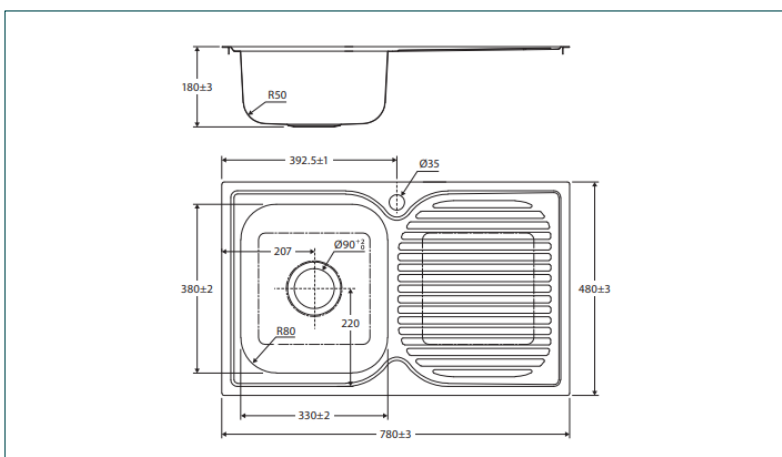
I/No: 0545245 Supplier Code: 68104L

Product Dimensions: 780mm W x 480mm H x 180mm D Warranty: 25-year



Product Features:

- Designed for smaller kitchens
- Made from polished, 304 grade stainless steel
- 1 tap hole as standard
- Basket waste included (A3)
- Topmount installation
- Sealing tape and mounting clips included



0545245	Left Hand Bowl
0545249	Right Hand Bowl

[Click here for more product information](#)

*By clicking this link you are being taken to an external website.

[Home](#)

Sinks

Tiva 1080 1.75 Kitchen Sink with Drainer



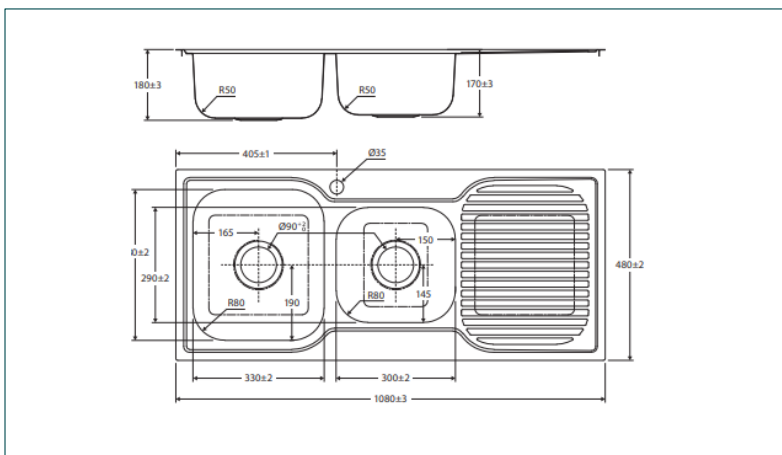
I/No: 0545243 Supplier Code: 68106L

Product Dimensions: 1080mm W x 480mm H x 180mm D Warranty: 25-year



Product Features:

- All in-one solution with two bowls and drainer
- Made from polished 304 grade stainless steel
- 1 Tap hole as standard
- Basket wastes included (2x3)
- Topmount installation
- Sealing tape and mounting clips included



0545243	Left Hand Bowl
0545250	Right Hand Bowl

[Click here for more product information](#)

*By clicking this link you are being taken to an external website.

[Home](#)

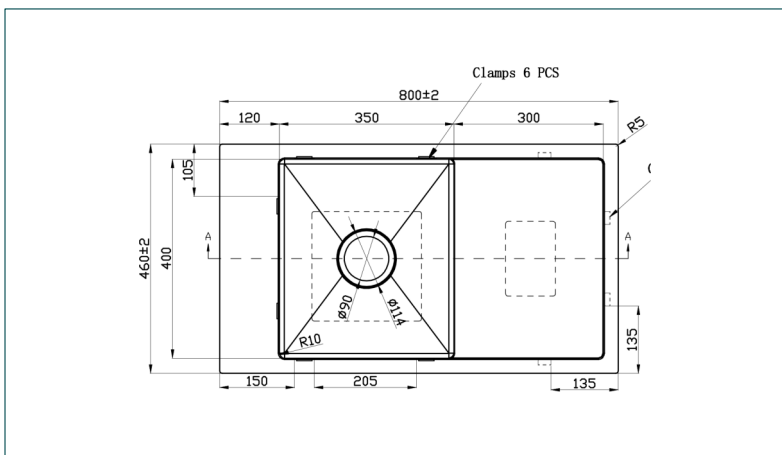
Sinks

Lirio Care Single Bowl Sink and Drainer

castano

I/No: 0508606 Supplier Code: SSLIRSBD800

Product Dimensions: 800mm L x 460mm D x 145mm H Warranty: 10-year



Product Features:

- Manufactured from 304 Stainless Steel
- 1.2mm Thickness
- 145mm deep
- Australian Watermark Strainer
- Australian Designed Product
- Reversible Top Mount Sink with 1 Taphole Side Landing
- Side tapware landing – tapware can be installed within 300mm of the front edge of the bench to increase accessibility
- Suitable for installations needing to comply with AS1428.2 Design for Access and Mobility

[Click here for more product information](#)

*By clicking this link you are being taken to an external website.

[Home](#)

Appliances

60cm Electric Side Opening Oven with Reversible Door

eurol appliances

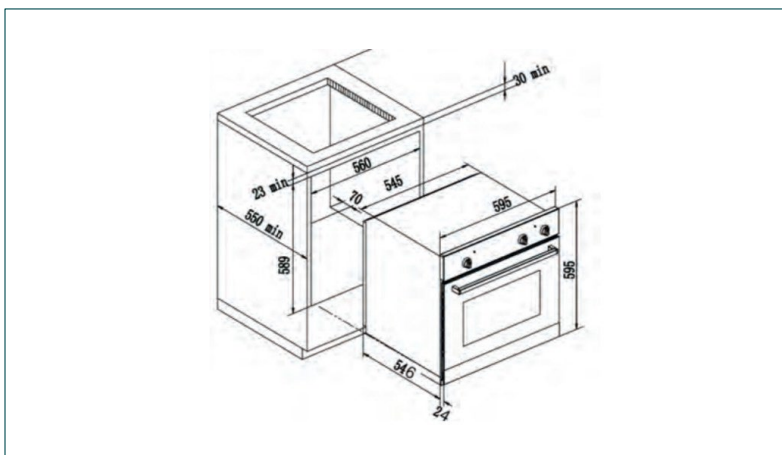
I/No: 0267001 **Supplier Code:** EO60SOSX

Product Dimensions: 595mm W x 595mm H x 546mm D **Warranty:** 3-year



Product Features:

- 8 multi functions
- 67Lt gross - 64Lt net capacity
- 120 minute cut-off timer
- Reversible door
- 1 set telescopic runner
- Cavity cooling system
- Triple glazed door
- Stylish black and stainless steel finish



0267001	Stainless Steel
0822768	Black Glass

[Click here for more product information](#)

*By clicking this link you are being taken to an external website.

[Home](#)

Appliances

60cm Electric Multifunction Oven

euro appliances

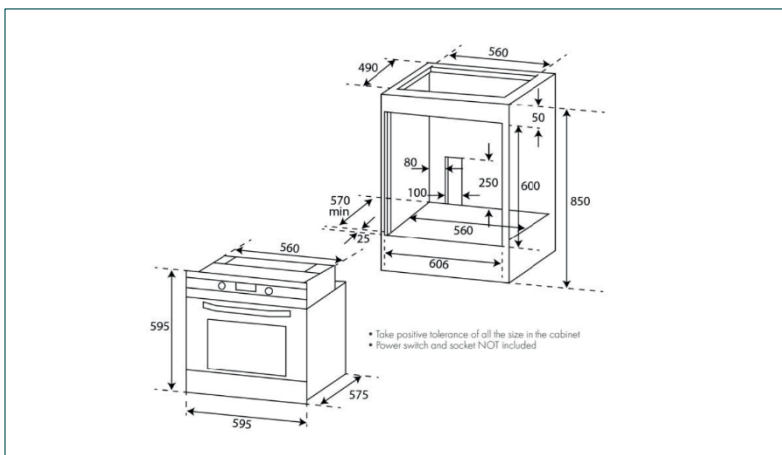
I/No: 0242013 **Supplier Code:** EO608SX

Product Dimensions: 595mm W x 595mm H x 575mm D **Warranty:** 3-year



Product Features:

- 9 multifunction's
- Contained cavity cooling with tangential cooling fan
- Triple glazed removable inner glass
- Removable rack support
- Telescopic runner
- 2* oven shelves & 1 backing tray
- Stainless steel trim, black finish



[Click here for more product information](#)

*By clicking this link you are being taken to an external website.

[Home](#)

Appliances

60cm Ceran Electric Cooktop

euro appliances

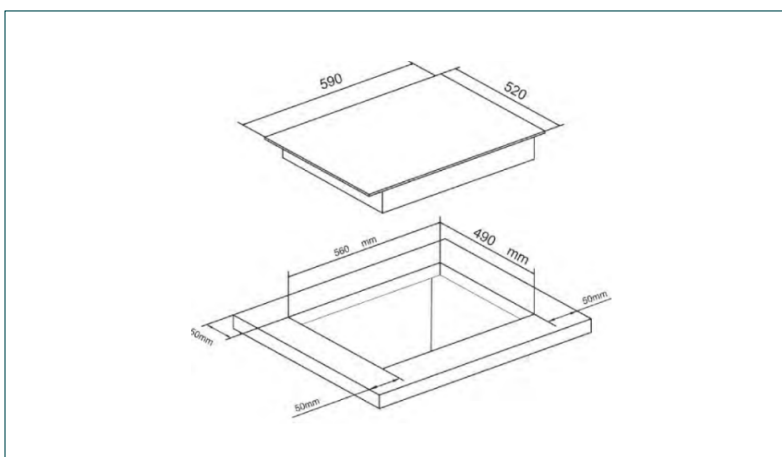
I/No: 0378995 **Supplier Code:** ECT600CB

Product Dimensions: 590mm W x 520mm D **Warranty:** 3-year



Product Features:

- Smooth Ceran glass electric cooktop
- 4 rapid burner elements
- Side knob controls
- Total rated load: 6.0kW
- Variable temperature control
- Residual heat indicator
- Square edge design



[Click here for more product information](#)

*By clicking this link you are being taken to an external website.

[Home](#)

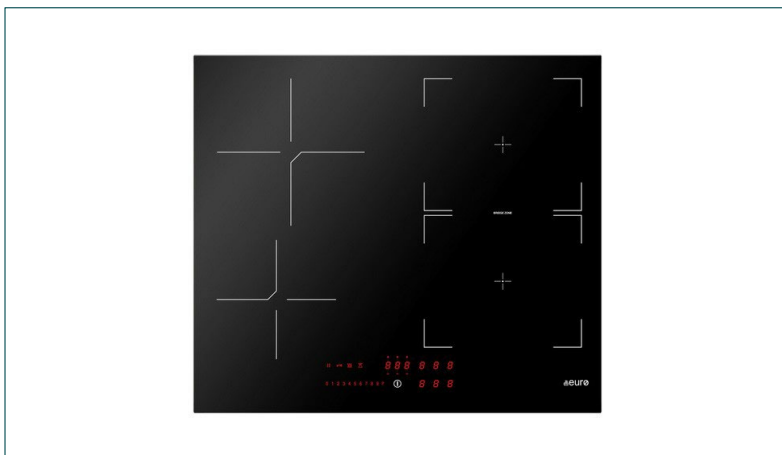
Appliances

60cm Induction Cooktop

euro appliances

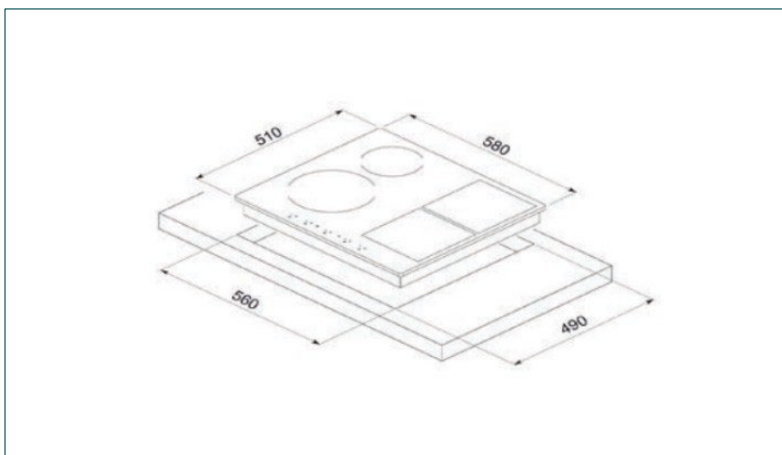
I/No: 0266943 **Supplier Code:** E60IDB

Product Dimensions: 580mm W x 510mm D **Warranty:** 3-year



Product Features:

- Easy clean Ceran glass
- 4 cooking zones including large central zone
- Front sensor touch operation control
- Total rated load: 7.4kW
- Over temperature safety device
- Overflow protection
- Flexi dual zone with bridge function
- Auto shutdown protection
- 9 heating levels with residual heat indicator
- Child lock function
- Square edge design



[Click here for more product information](#)

*By clicking this link you are being taken to an external website.

[Home](#)

Appliances

52cm Undermount Rangehood

 euro appliances

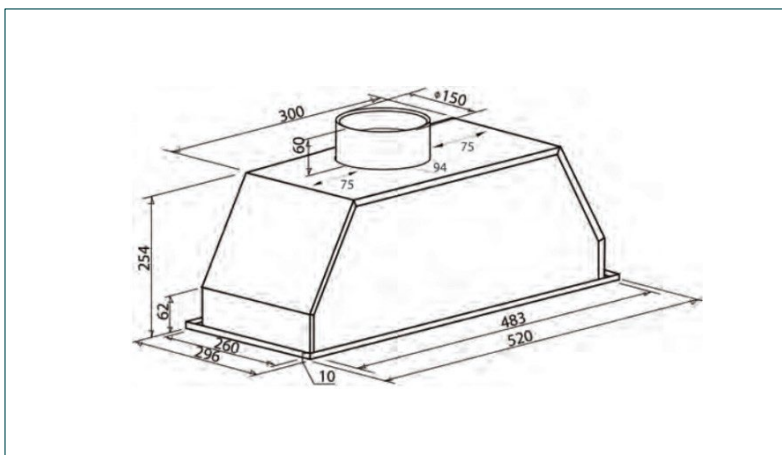
I/No: 0349734 **Supplier Code:** EP52UMS2

Product Dimensions: 520mm W x 254mm H x 296mm D **Warranty:** 3-year



Product Features:

- Stainless steel finish
- 3 speed motor; 500m³/hr extraction capacity
- 2 x 1.5W LED lights
- Undermount non-visible rangehood
- Under push button control
- Dishwasher safe carbon filter: CF110 (requires 2)
- Decibel rating 48-59 dBA
- 150mm flue diameter



[Click here for more product information](#)

*By clicking this link you are being taken to an external website.

 Home

Appliances

60cm Freestanding Dishwasher 12-Place Setting

euro appliances

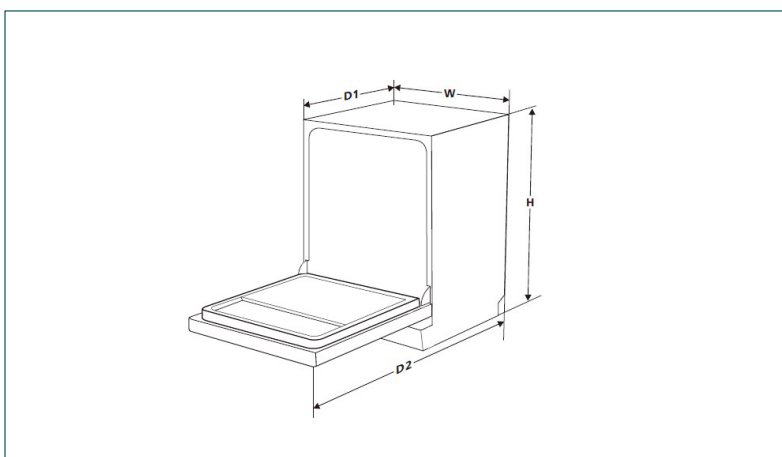
I/No: 0132874 **Supplier Code:** EDV604SS

Product Dimensions: 598mm W x 845mm H x 600mm D **Warranty:** 3-year



Product Features:

- Stainless steel finish and slim panel design
 - 12 place setting and height adjustable top basket
 - 4 wash programs and extra dry function
 - Concealed heating element
 - Removable top cover
 - Water consumption 10.2Lt
- Decibel rating 49dBA
- 3 star energy rating
 - 4.5 star water rating



[Click here for more product information](#)

*By clicking this link you are being taken to an external website.

 Home

Appliances

60cm Freestanding Dishwasher 14-Place Setting

 euro appliances

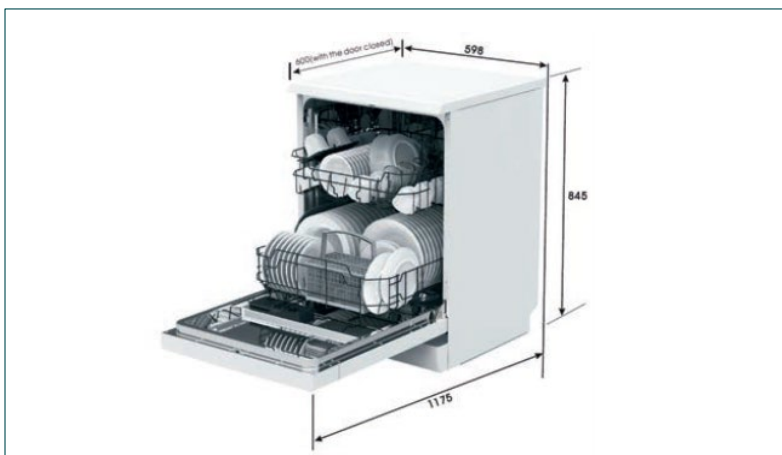
I/No: 0183052 **Supplier Code:** ED614SX

Product Dimensions: 598mm W x 845mm H x 600mm D **Warranty:** 3-year



Product Features:

- Sleek stainless steel or black freestanding dishwasher
- A generous 14 place setting capacity and 6 wash programs to accommodate your dishwashing needs
- Adjustable top basket for flexibility in customising the interior to fit your items
- Equipped with child safety lock for additional peace of mind
- Concealed heating element for maximum functionality
- Operating at 49 decibels for peaceful washing
- 3 star energy rating, 4.5 star water rating
- 12.5L per wash usage



[Click here for more product information](#)

*By clicking this link you are being taken to an external website.

 Home

Appliances

Omega 60cm 5 Function Side-opening Oven



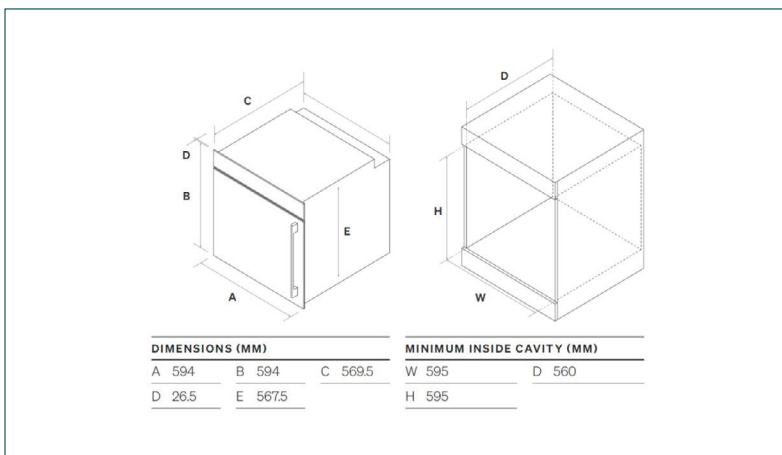
I/No: 0698993 Supplier Code: OBOS605MR

Product Dimensions: 594mm W x 569.5mm D x 594mm H Warranty: 5-year



Product Features:

- 5 Functions
- 75L Gross Oven capacity
- Plastic ergonomic easy grip knobs and fluted steel knobs
- 180° Side-opening door with right-hand side hinges
- Telescopic runners
- Minute Minder Timer
- Black Glass with Midnight Trim
- Black tinted triple glazed door
- Cavity cooling system



0698993	Right Hand Hinge
0698988	Left Hand Hinge

[Click here for more product information](#)

*By clicking this link you are being taken to an external website.

[Home](#)

Appliances

60cm 5 Function Oven



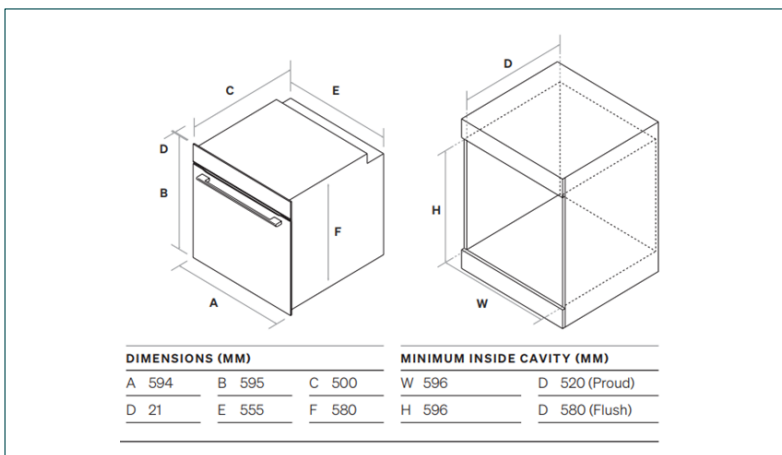
I/No: 0987388 Supplier Code: OBO605MCOM

Product Dimensions: 594mm W x 500mm D x 595mm H Warranty: 5-year



Product Features:

- 5 Functions
- 85L Gross oven capacity
- Midnight fluted steel knob controls
- Minute minder timer
- Black glass with midnight aluminium trim
- Black crystal clean enamel interior
- Cavity cooling system
- 5 x Shelf positions
- 10 Amp plug



[Click here for more product information](#)

*By clicking this link you are being taken to an external website.

Home

Appliances

Omega 60cm Ceramic Cooktop with Knob Controls

omega

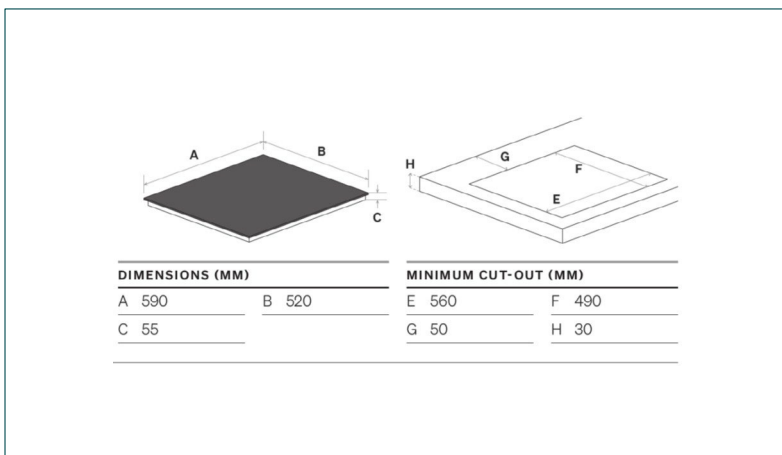
I/No: 0698991 Supplier Code: OCC604KCOM

Product Dimensions: 590mm W x 520mm D x 55mm H Warranty: 5-year



Product Features:

- 4 Ceramic cooking zones
- 9 power levels
- Durable DiaCeram® Ceramic Glass
- Single piece of glass
- Automatic Safety Shut Off
- Child Safety Lock
- Midnight Fluted Steel Control Knobs



[Click here for more product information](#)

*By clicking this link you are being taken to an external website.

[Home](#)

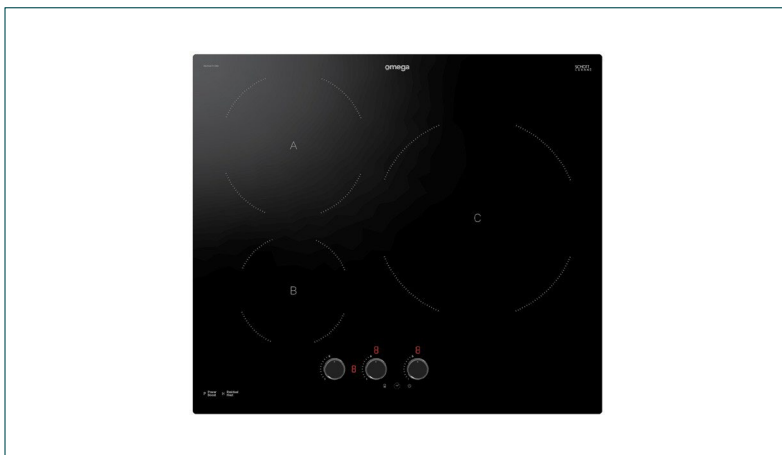
Appliances

Omega 60cm Induction Cooktop - Knob Controls



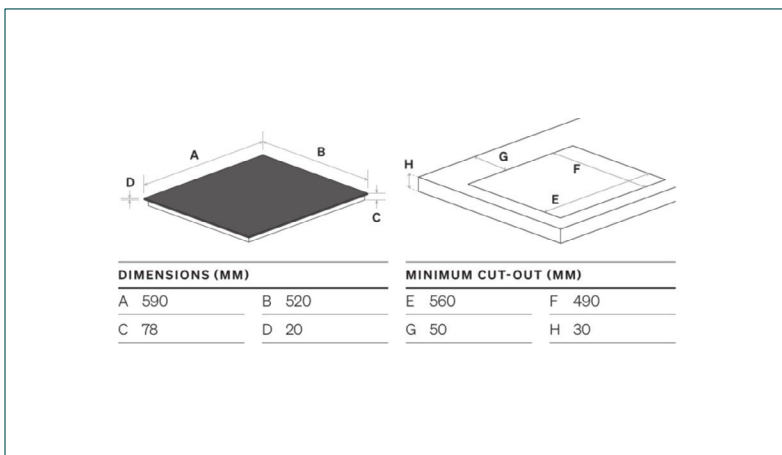
I/No: 0698989 Supplier Code: OCI603KZCOM

Product Dimensions: 590mm W x 520mm D x 62mm H Warranty: 5-year



Product Features:

- 3 Cooking Zones; 9 Power Levels
- Durable EuroKera® Ceramic Glass - single piece
- Residual heat indicator
- 120 minute auto safety shut off
- Easy grip fluted steel control knobs
- 99 Minute Zone Timer
- Automatic Pan Detection



[Click here for more product information](#)

*By clicking this link you are being taken to an external website.

Home

Appliances

Omega 52cm Undermount Rangehood (Button-less)



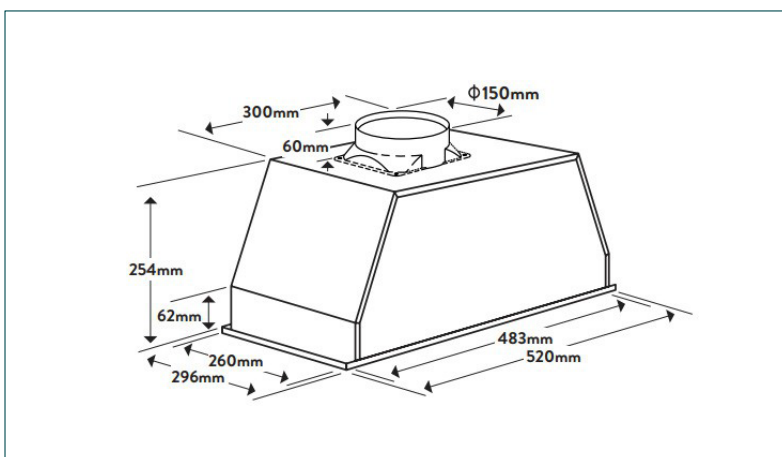
I/No: 0638608 Supplier Code: ORU50PXL

Product Dimensions: 254mm H x 520mm W x 296mm D **Warranty:** 3-year



Product Features:

- Concealed and look streamline under cupboards, perfect for smaller kitchens
- 150mm 300mm 60mm 296mm 260mm 62mm 483mm 520mm 254mm
- Exclusive to commercial projects
- Buttonless design
- This rangehood should be installed to operate when the cooktop is switched on by a separate switch
- This design is great for student accomodation, allowing for correct operation of the product
- LED Light LED lights use a small amount of energy, generate little heat and last a long time
- Not only are they cost effective, they will ensure your cooktop is well lit



[Click here for more product information](#)

*By clicking this link you are being taken to an external website.

Home

Appliances

60cm Freestanding Dishwasher

omega

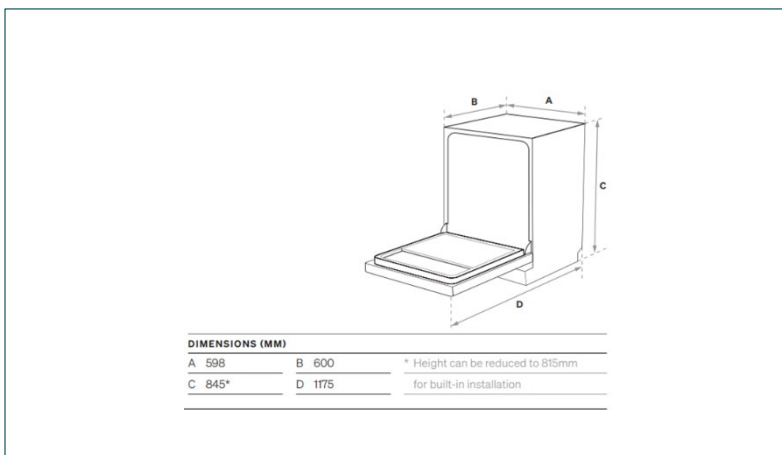
I/No: 0804426 **Supplier Code:** ODWF6015XCOM

Product Dimensions: 845mm H x 598mm W x 600mm D **Warranty:** 5-year



Product Features:

- Stainless steel finish
- 15 Place setting capacity
- Auto open drying
- 8 Wash programs including auto wash
- Touch controls with LED display
- Lift-Up height adjustable basket, slide-out cutlery tray
- Half Zone, extra clean, express wash 24H Delay Start
- MEPS: 4 / WELS: 5 Stars



BATHROOM

[Introduction](#)

[Toilets](#)

[Shower Tapware](#)

[Basins](#)

[Basin Tapware](#)

[Bathroom Accessories](#)

[Home](#)

INTRODUCTION

The SDA Design Standard specifies the following requirements for bathrooms in Improved Liveability builds*:

- Inclusion of a toilet, a shower and a hand wash basin within the same bathroom
- The toilet seat should have a minimum luminance contrast of 30% with the background
e.g. pan, wall or floor against which it is viewed
- The shower should be provided in a corner of the room with a hobless shower recess of 900mm x 900mm minimum and clear of any shower screens or shower screen fixtures
- The hand wash basin should have a minimum overall depth of 430mm

The NDIS SDA Design Standard (SDA) must be consulted with respect to design and compliance requirements. The products presented in this catalogue also rely on correct installation to meet the requirements of AS1428.

Toilets

Alix Back To Wall Toilet

fienza

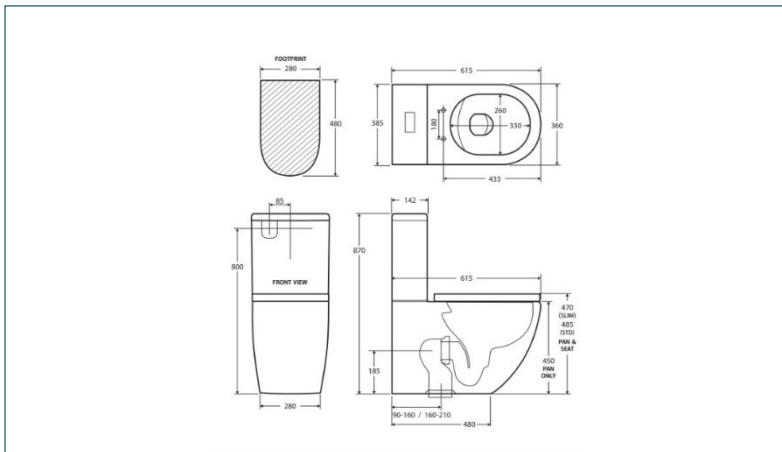
I/No: 1051791 Supplier Code: K011GP

Product Dimensions: 870mm H x 615mm D x 360mm W Warranty: 5-year



Product Features:

- Can be installed to comply with Ambulant AS1428.1
- Rimless hygienic flush
- Extra height pan
- Short projection from wall for tight spaces
- Large, easy-push chrome flush buttons
- Concealed pan for easy cleaning
- Gloss grey UF quick release, soft close seat
- Top or bottom inlets:
Left top inlet
Left OR right bottom inlet



1051791	P-Trap
1051795	S-Trap 160-210
1051795	S-Trap 90-160

[Click here for more product information](#)

*By clicking this link you are being taken to an external website.

[Home](#)

Toilets

Delta Back to Wall Toilet - Black Seat

fienza

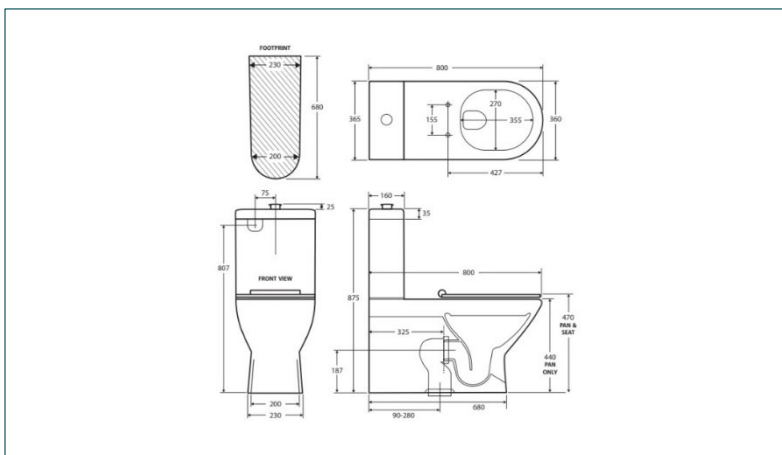
I/No: 1051747 Supplier Code: K013MB

Product Dimensions: 875mm H x 800mm D x 360mm W Warranty: 5-year



Product Features:

- Gloss white pan
- Single flap seat
- Raised flush buttons
- R&T flush system
- Top or bottom inlets
- Available as P-Trap or S-Trap
- Can install for AS1428.1:2021 compliance



1051747	P-Trap
1051809	S-Trap 90-280

[Click here for more product information](#)

*By clicking this link you are being taken to an external website.

[Home](#)

Toilets

Stella Care Adjustable Link Toilet Suite

fienza

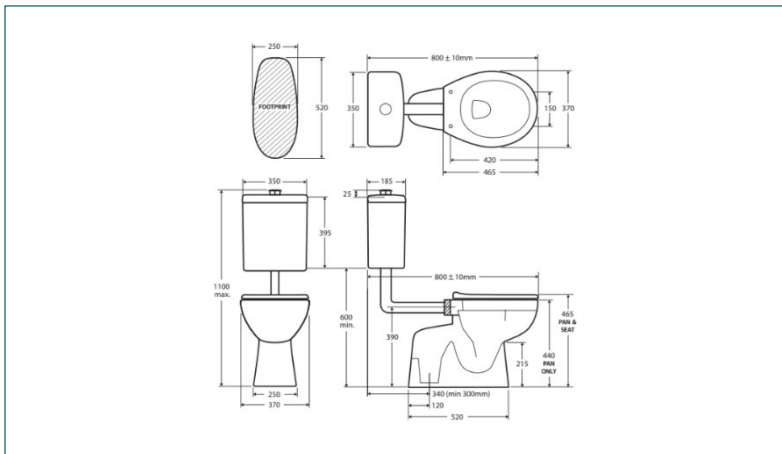
I/No: 1051765 Supplier Code: K001DG



Product Dimensions: 1100mm H x 800mm D x 370mm W Warranty: 5-year



Product Features:

- Can be installed for AS1428.1 Accessible Compliance
- Extra height pan
- Gloss white finish
- Blue or grey flush buttons
- Blue or grey single flap seat
- Concealed S-Trap only, 300-340mm set-out
- WELS 4 Star rated, 4.5L/3L (3.3L average flush)



1051747	Grey Seat	
1051809	Blue Seat	

[Click here for more product information](#)

*By clicking this link you are being taken to an external website.

[Home](#)

Toilets

Care 400 Connector Toilet Suite Sorrento Blue Double Flap Seat

CAROMA | Made For Life

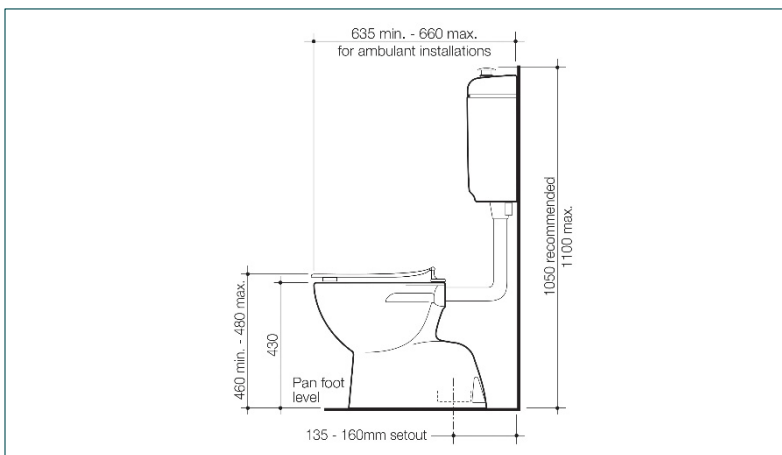
I/No: 0672829 **Supplier Code:** 987901SB

Product Dimensions: 1100mm H x 635mm D x 350mm W **Warranty:** 20-Year



Product Features:

- Can be installed to comply to Sanitary Compartment for People with Ambulant Disabilities
- Trident concealed S trap care pan
- Sovereign care bottom inlet vitreous china cistern
- Includes caravelle care double flap seat in sorrento blue
- Metal chrome plated raised height care buttons
- Includes extended mid-level flush pipe
- WELS 4 star rated, 4.5/3L (3.5L avg/flush)



[Click here for more product information](#)

*By clicking this link you are being taken to an external website.

[Home](#)

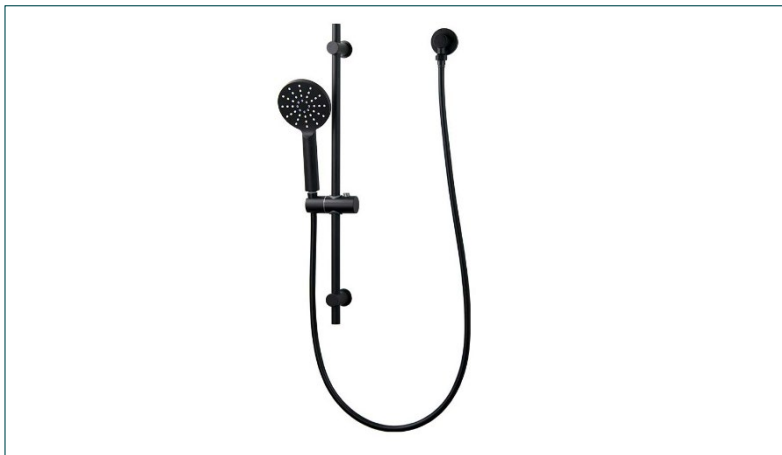
Shower Tapware

Matcha Shower Rail



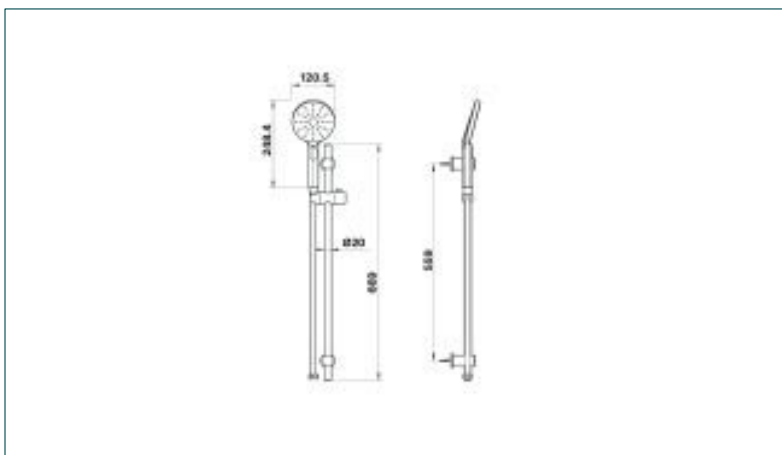
I/No: 0128456 **Supplier Code:** 11RHS03ML

Product Dimensions: 669mm H x 20mm Diameter **Warranty:** 10-year



Product Features:

- 1.5m hose
- Luxury wall elbow
- 3 Spray function (rain/massage/combo)
- Backed by our Australian-based customer support team
- High-quality PVD & electroplated finishes to ensure durability & long-lasting colour



0128456	Matt Black	
0355711	Brushed Nickel	
0128486	Chrome	

[Click here for more product information](#)

*By clicking this link you are being taken to an external website.

Home

Shower Tapware

Care Rail Shower with Push/Pull Slider



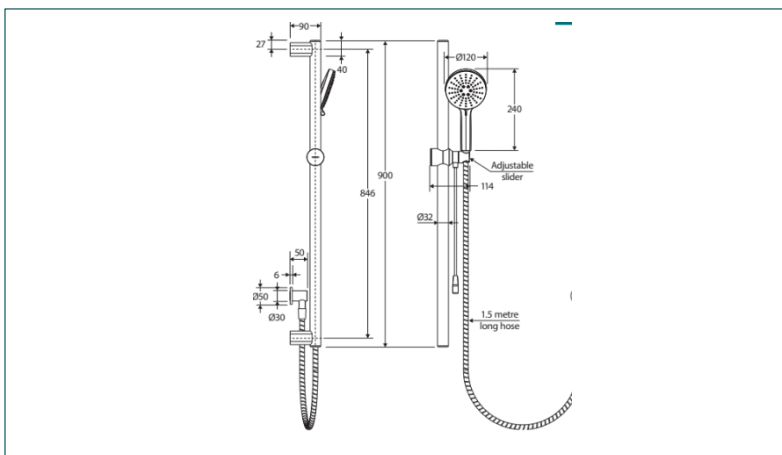
I/No: 1048754 Supplier Code: 444119

Product Dimensions: 900mm H x 32mm W x 90mm D Warranty: 1-year



Product Features:

- Can be installed for AS 1428.1:2021 Accessible compliance
- Backflow prevention dual check/non-return valve
- Made from stainless steel
- 1.5 metre stainless steel hose (PVC on matte black model)
- Self-locking
- Suit 32 mm diameter rail
- Made from solid brass
- Three water-flow settings: normal, massage or combination
- WELS 3 Star rated, 9L/min
- WELS Registration: S18869



1048754	Chrome	
1048740	Brushed Nickel	
1048747	Urban Brass	
1048738	Matte Black	

[Click here for more product information](#)

By clicking this link you are being taken to an external website.

Home

Shower Tapware

HomeCare Linear Rail Shower

CAROMA | Made For Life

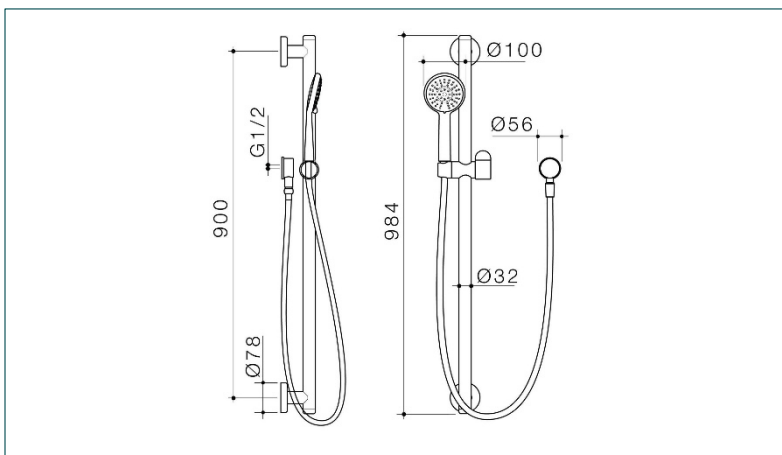
I/No: 0676559 **Supplier Code:** 98280BN3A

Product Dimensions: 984mm H x 132mm W x 58mm D **Warranty:** 20-Year



Product Features:

- Australian design and engineered
- Fitted with dual check valve for back-flow prevention
- Premium flex shower hose for durability and easy cleaning
- Includes 3-spray function shower handset
- WELS 4 star (Range E) Rated, 7.5L/min
- Manufactured to be installed to comply with AS1428.1 Access and Mobility requirements
- 900mm shower rail constructed to withstand 1100N force (110kg)
- 20 years residential warranty



0676559	Brushed Nickel
0676560	Stainless Steel
0676561	Matte Black

[Click here for more product information](#)

*By clicking this link you are being taken to an external website.

[Home](#)

Shower Tapware

Living 900mm 3 Function Grab Rail Shower Set

JohnsonSuisse
Bathroom Solutions

I/No: 0680927 **Supplier Code:** BR1090.JTFN

Product Dimensions: 900mm H x 32mm W x 92mm D **Warranty:** 20-Year



Product Features:

- Provides sturdy hand grip support around showers
- Quality construction in satin finished 304 stainless steel
- 32mm diameter rail for comfortable grip
- Secure concealed flange fixing system
- Chrome plated, water inlet fitting (wall mounted) with Back-Flow prevention device
- WELS 3 star, 8.5L/min S14882
- Bracket mounts to a 32mm vertical grabrail
- Reversible for left/right fitting
- Slide/lock adjustability to accommodate different shower heights
- Click/lock settings to change spray shower angle

[Click here for more product information](#)

*By clicking this link you are being taken to an external website.

[Home](#)

Shower Tapware

Shea Wall Mixer



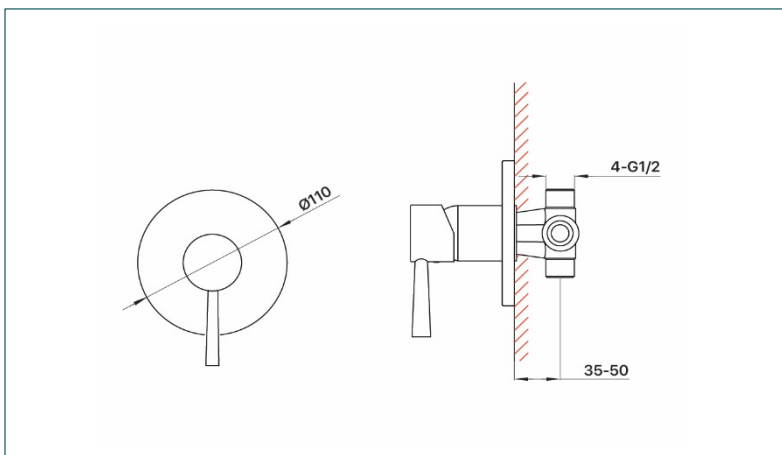
I/No: 0829349 **Supplier Code:** 11SL262BF

Product Dimensions: 110mm Diameter **Warranty:** 10-year



Product Features:

- High-quality 35mm European ceramic disc cartridges, providing a smooth action & reliable functioning for years to come
- Backed by our Australian-based customer support team
- High-quality PVD & electroplated finishes to ensure durability & long-lasting colour



0829349	Brushed Nickel	
0720712	Chrome	
0720997	Matt Black	

[Click here for more product information](#)

*By clicking this link you are being taken to an external website.

Home

Shower Tapware

Tono Wall Mixer

fienza

I/No: 0667440 **Supplier Code:** 233101-4

Product Dimensions: 106mm H x 65MM W x 160mm D **Warranty:** 5-year

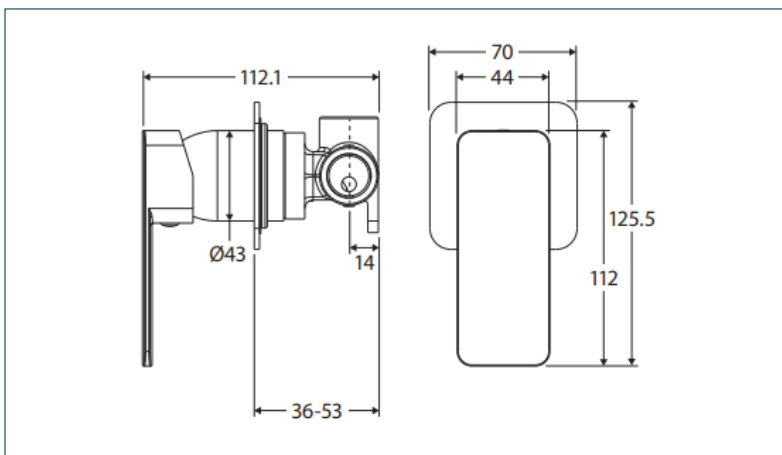


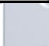
Product Features:

- Designed for shower and bath
- High quality European Cartridge (35mm)
- Made from eco-friendly lead-free brass*

*Defined as containing less than 0.25% lead.

- Please note: These products may have a visible Fienza or Watermark Logo



0667440	Chrome	
1051855	Matte Black	
1051787	Urban Brass	
1051830	Brushed Nickel	

[Click here for more product information](#)

*By clicking this link you are being taken to an external website.

 Home

Shower Tapware

HomeCare Assistive Bath/Shower Mixer

CAROMA | Made For Life

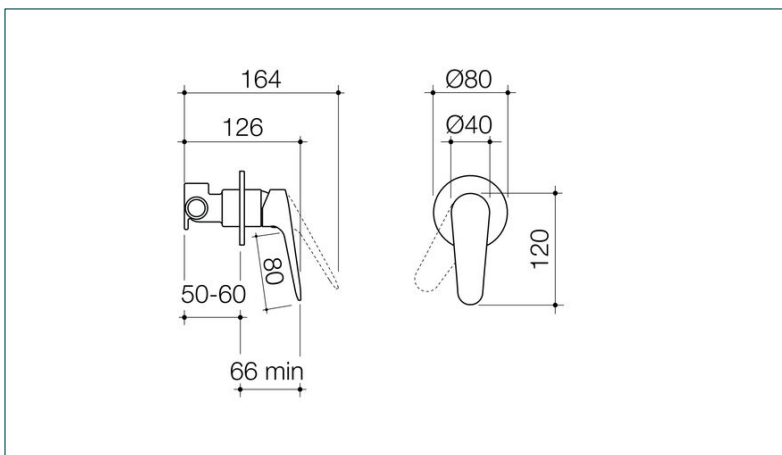
I/No: 0676543 Supplier Code: 98274B

Product Dimensions: 120mm H x 80mm W Warranty: 20-Year



Product Features:

- Australian design and engineered
- Can be installed to comply with AS1428.1 Access and Mobility requirements
- Ergonomic handle design
- Large colour indicators for easier identification
- Available in Chrome, Matte Black and Brushed Nickel
- 20 years residential warranty
- Complete the look with matching HomeCare rails and showers



0676543	Matte Black
0676528	Brushed Nickel
0676554	Chrome

[Click here for more product information](#)

*By clicking this link you are being taken to an external website.

[Home](#)

Shower Tapware

Venezia Wall Mixer

JohnsonSuisse
Bathroom Solutions

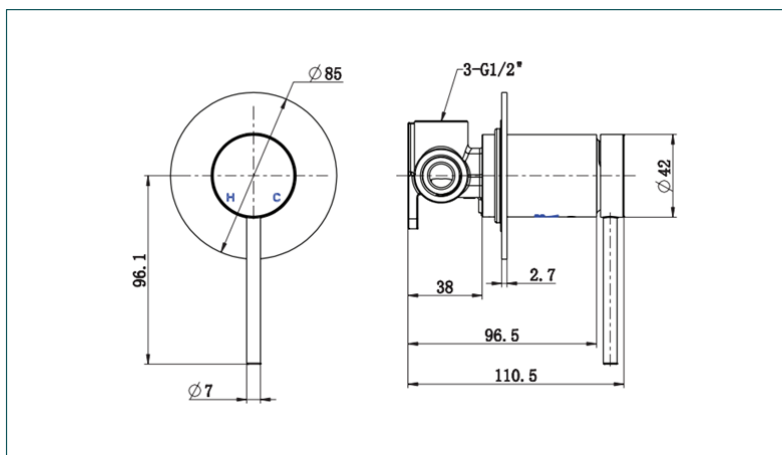
I/No: N/A Supplier Code: JTV705CH.UB

Product Dimensions: 96mm H x 85mm W Warranty: 20-Year



Product Features:

- Functional wall mounted design
- Thin pin style mixer lever
- Universal Durable DZR brass construction
- Range of attractive finishes available



[Click here for more product information](#)

*By clicking this link you are being taken to an external website.

[Home](#)

Basins

Chios 205 Care Semi Recessed Basin 1TH

SEIMA

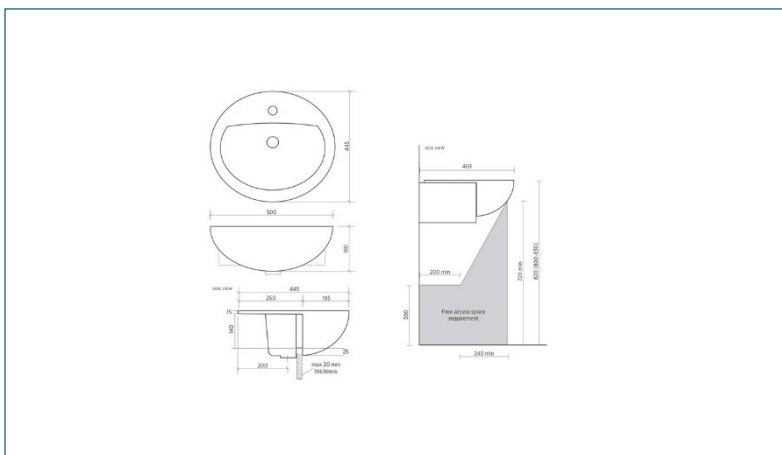
I/No: 0191858 Supplier Code: 191472

Product Dimensions: 500mm L x 445mm W x 180mm H Warranty: 20-year



Product Features:

- Can be installed to comply with AS1428.1 compliant
- Classically styled semi-recessed basin with generous capacity
- 1 Tap Hole
- 7 Litre capacity
- Standard with overflow
- Suits standard 32mm waste with overflow (not included)



[Click here for more product information](#)

*By clicking this link you are being taken to an external website.

[Home](#)

Basins

Limni720 Wall Basin 1TH

SEIMA

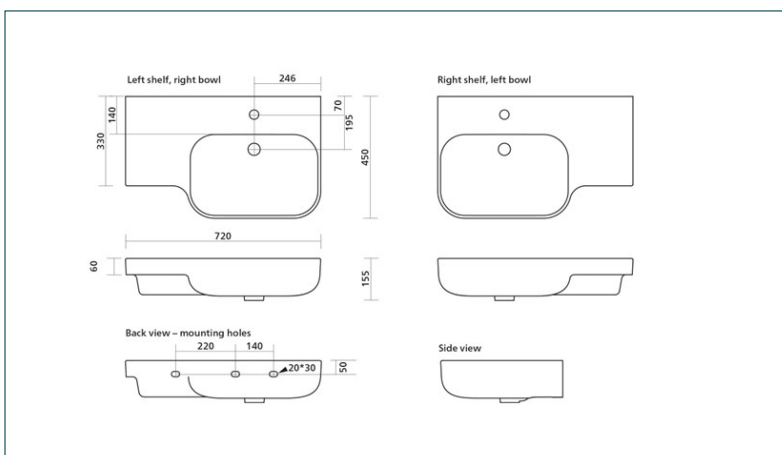
I/No: 0191858 Supplier Code: 192304

Product Dimensions: 720mm L x 450mm W x 155mm H Warranty: 20-year



Product Features:

- Can be installed to comply with AS1428.1 Compliant
- 1 Tap hole
- Suits 32mm waste (not included)
- Integrated overflow
- Vitreous china



1013096	Right Hand Shelf
1013095	Left Hand Shelf

[Click here for more product information](#)

*By clicking this link you are being taken to an external website.

[Home](#)

Basins

Limni015 Ceramic Basin 1TH

SEIMA

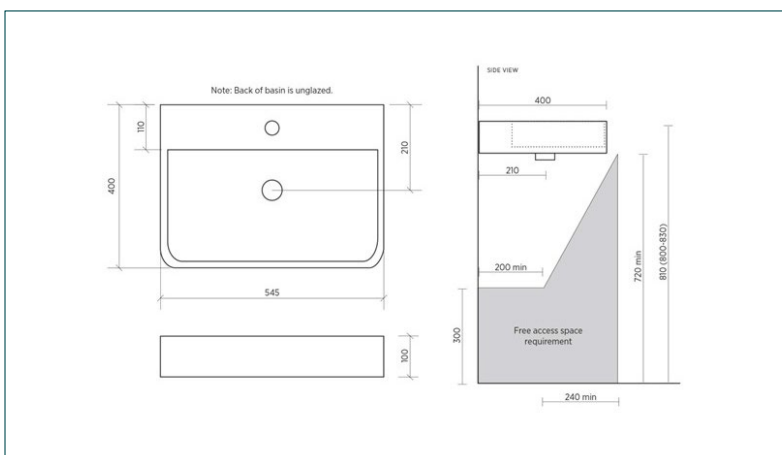
I/No: 0545246 Supplier Code: 191441

Product Dimensions: 545mm L x 400mm W x 100mm H Warranty: 20-year



Product Features:

- Made from Vitreous china
- Can be installed above counter or wall mounted
- 1 Taphole
- Can be installed to meet AS1428.1 requirements



1013096

Right Hand Shelf

1013095

Left Hand Shelf

[Click here for more product information](#)

By clicking this link you are being taken to an external website.

[Home](#)

Vanity Unit

Dolce Quest Vanity on Kickboard

fienza

I/No: 1051741 **Supplier Code:** TCL75QK

Product Dimensions: 750mm W **Warranty:** 5-year



Product Features:

- Modern rectangular bowl moulded basin top
- 3mm tile lip along back edge
- 20mm thick fully vitrified china
- Cabinet with gloss white finish
- Full extension drawer runners
- Soft close drawers
- FSC approved, eco-friendly E0 quality board

1051741	750mm
1051684	900mm

[Click here for more product information](#)

*By clicking this link you are being taken to an external website.

[Home](#)

Basin Tapware

Universal Bottle Trap



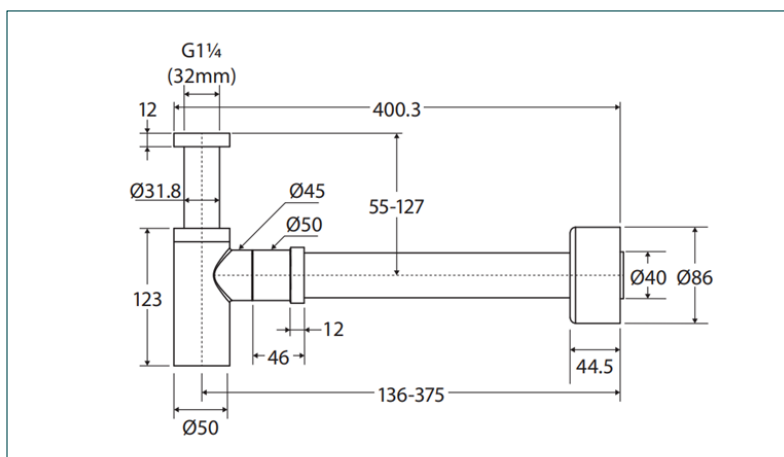
I/No: 1051813 **Supplier Code:** BTRAPF

Product Dimensions: 188.5mm H x 375mm D x 50mm W **Warranty:** 1-year



Product Features:

- Can be installed for AS1428.1:2021 Accessible compliance
- Designed for use with wall mounted basins
- Colours match Fienza tapware, showers and accessories
- Adjustable height and length
- Suits 32 mm basin wastes
- Made from solid brass



1051813	Chrome	
1051776	Brushed Nickel	
1051807	Urban Brass	
1051735	Matte Black	

[Click here for more product information](#)

*By clicking this link you are being taken to an external website.

Home

Basin Tapware

Shea Basin Mixer



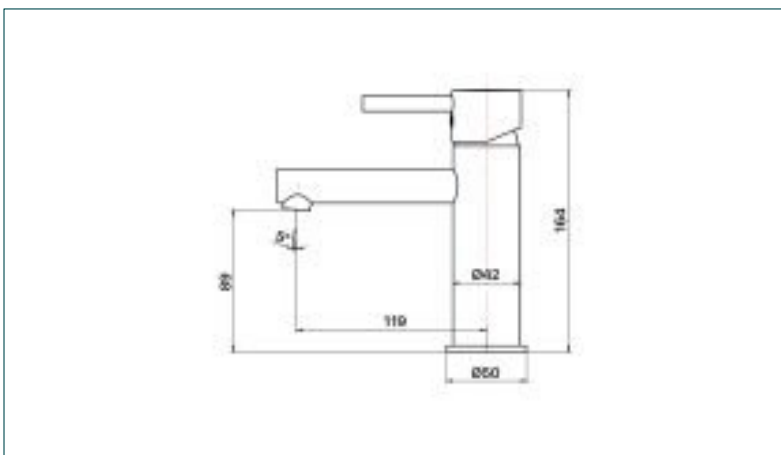
I/No: 0720688 **Supplier Code:** 11SL260CLF

Product Dimensions: 164mm H x 89mm L x 50mm **Warranty:** 10-year



Product Features:

- High-quality 35mm European ceramic disc cartridges, providing a smooth action & reliable functioning for years to come
- Backed by our Australian-based customer support team
- High-quality PVD & Electroplated finishes to ensure durability & long-lasting colour
- The robust connectors & hoses are burst-proof, anti-kink & corrosion-resistant



0720688	Chrome	
0676525	Matt Black	
0676548	Brushed Nickel	

[Click here for more product information](#)

*By clicking this link you are being taken to an external website.

[Home](#)

Basin Tapware

Tono Basin Mixer

fienza

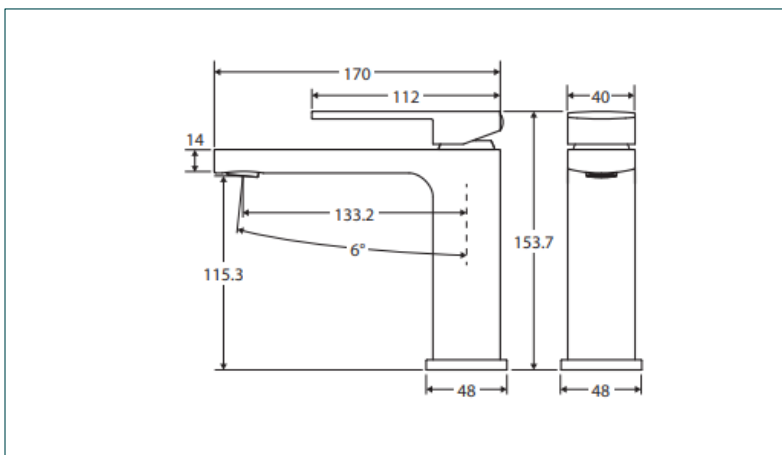
I/No: N/A **Supplier Code:** 233103-LF

Product Dimensions: 207mm H x 200mm D x 48mm W **Warranty:** 5-year



Product Features:

- Soft square outlet
- Swivel Aerator
- High quality 25mm European cartridge
- PEX split-resistant hoses
- Made from eco-friendly lead-free brass – defined as containing less than 0.25% lead
- WELS 6 Star rated, 4.5L/min; WELS Registration: T41438
- Please note, these products may have a visible Fienza or Watermark logo



N/A	Chrome 233103-LF	
N/A	Matte Black 233103B-LF	
N/A	Brushed Nickel 233103BN-LF	
N/A	Urban Brass 23103UB-LF	

[Click here for more product information](#)

*By clicking this link you are being taken to an external website.

Home

Basin Tapware

Home Care Assistant Living Basin Mixer

CAROMA | Made For Life

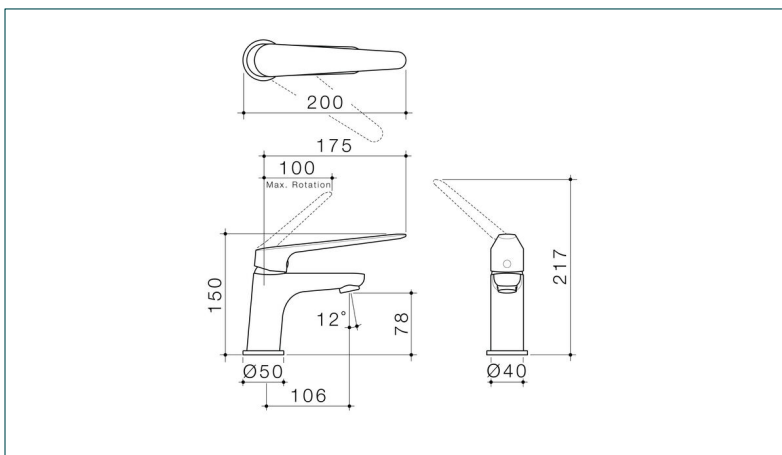
I/No: 0676532 Supplier Code: 98272C5AF

Product Dimensions: 150mm H x 200mm D x 50mm W Warranty: 20-Year



Product Features:

- Australian design and engineered
- Engineered from Lead Free brass
- Caroma tapware is 100% lead tested
- Water and energy efficient WELS 5 star flow rate (6.0L/min)
- Can be installed to comply with AS1428.1 Access and Mobility requirements
- Large colour indicators for easier identification
- SoftPEX hoses provide superior durability, longer life and free from impurities



0676532	Chrome
0676525	Matte Black
0676554	Chrome

[Click here for more product information](#)

*By clicking this link you are being taken to an external website.

[Home](#)

Basin Tapware

Venezia Basin Mixer

JohnsonSuisse
Bathroom Solutions

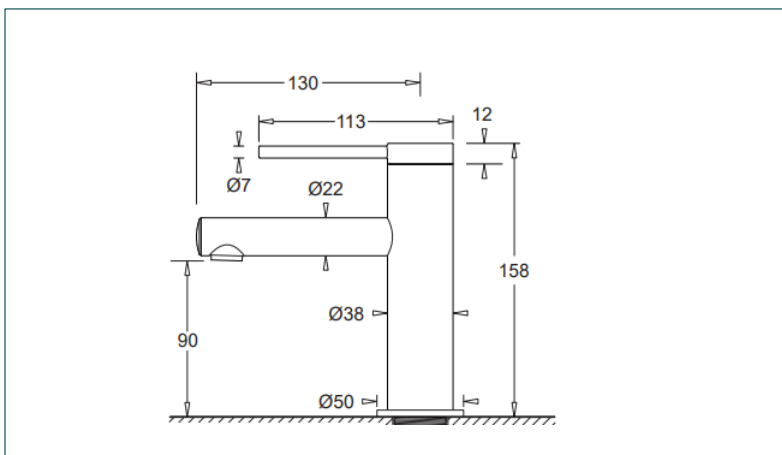
I/No: N/A **Supplier Code:** JTV121CHLF

Product Dimensions: 158mm H x 50MM W x 130mm D **Warranty:** 20-year



Product Features:

- Minimalistic hob mounted design
- Thin pin style mixer lever
- Aerated outlet
- Durable DZR brass construction
- Simple, secure fixing system
- Hot/cold flexible hose connection
- Other matching fittings available



[Click here for more product information](#)

*By clicking this link you are being taken to an external website.

[Home](#)

Bathroom Accessories

Pencil Edge Mirrored Shaving Cabinet

fienza

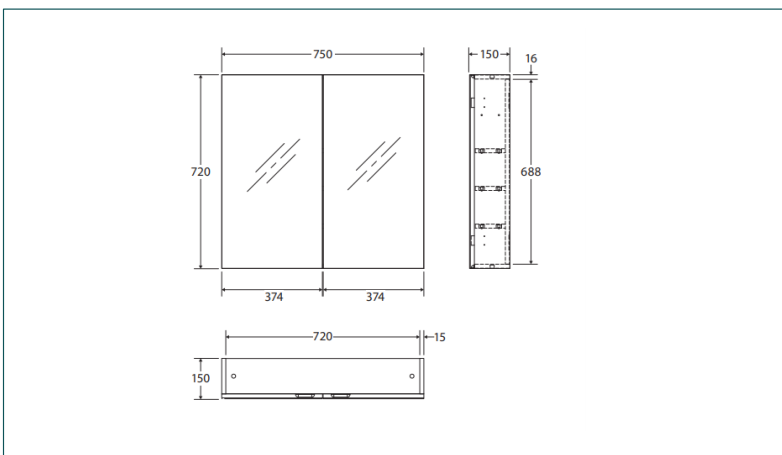
I/No: 0018363 **Supplier Code:** PSH750

Product Dimensions: Various **Warranty:** 1-year



Product Features:

- 5mm thick glass with pencil edge
- Soft-close doors with finger-pull notch
- Three internal shelves
- Can be semi-inset into wall
- Easy to install



0018363	750mm Wide
0018364	900mm Wide

[Click here for more product information](#)

*By clicking this link you are being taken to an external website.

[Home](#)

Bathroom Accessories

Chia Toilet Roll Holder



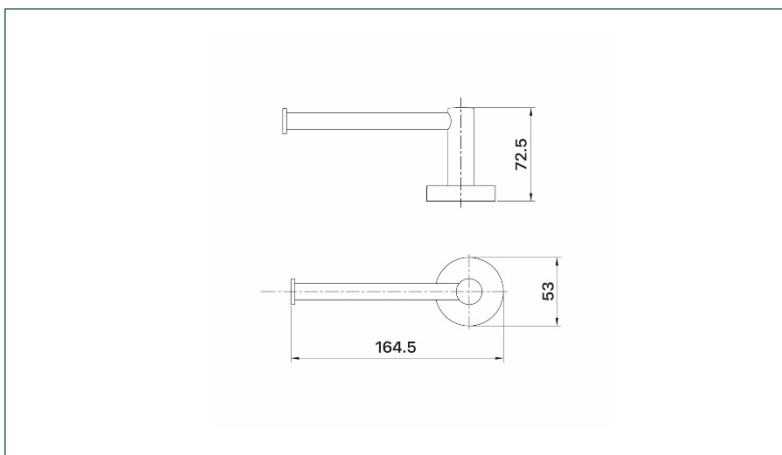
I/No: 0128553 **Supplier Code:** 13RTH01M

Product Dimensions: 164.5mm L x 53mm H **Warranty:** 10-year



Product Features:

- Backed by our Australian-based customer support team.
- High-quality PVD & electroplated finishes to ensure durability & long-lasting colour.
- A commercial grade mountings with up to 4 fixing points



0128553	Matt Black	
0355899	Brushed Nickel	
0128552	Chrome	

[Click here for more product information](#)

By clicking this link you are being taken to an external website.

[Home](#)

Bathroom Accessories

Tono Toilet Roll Holder

fienza

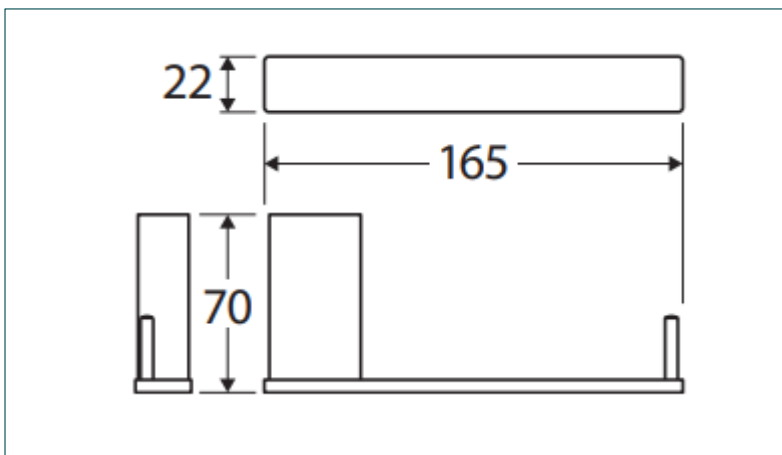
I/No: 1051798 **Supplier Code:** 85103UB



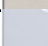

Product Dimensions: 165mm W X 22mm H x 70mm D **Warranty:** 5-year



Product Features:

- Streamlined rectangular design
- High strength mounting brackets
- Made from brass and stainless steel



1051798	Urban Brass	
1051841	Brushed Nickel	
1051858	Chrome	
N/A	Matte Black 85103MB	

[Click here for more product information](#)

*By clicking this link you are being taken to an external website.

[Home](#)

Bathroom Accessories

Luna Toilet Roll Holder

CAROMA | Made For Life

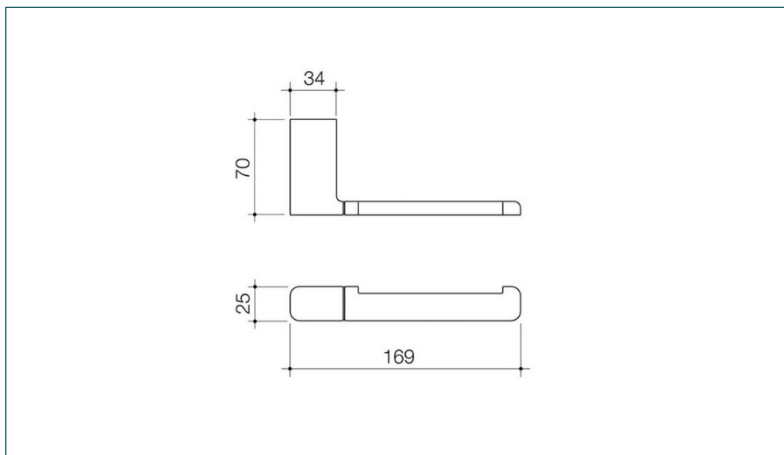
I/No: 0126250 **Supplier Code:** 99607C




Product Dimensions: 169mm W x 25mm H x 70mm D **Warranty:** 1-year



Product Features:

- Solid metal construction
- Durable high-quality finish in Chrome



0126250	Chrome	
0327371	Brushed Nickel	
0327639	Black	

[Click here for more product information](#)

*By clicking this link you are being taken to an external website.

[Home](#)

Bathroom Accessories

Venezia Toilet Roll Holder

JohnsonSuisse
Bathroom Solutions

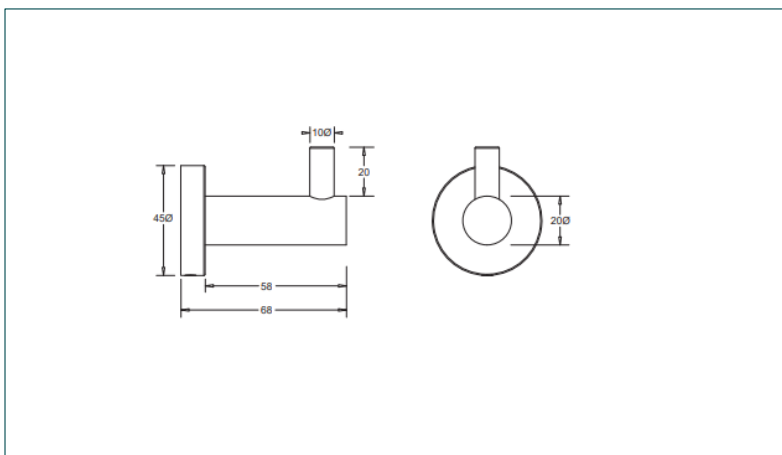
I/No: N/A **Supplier Code:** JACV111CH

Product Dimensions: 160mm W x 80mm D **Warranty:** 10-Year



Product Features:

- Single bar toilet roll holder
- Durable brass construction
- Simple, secure fixing
- Other matching Venezia design accessories available



[Click here for more product information](#)

*By clicking this link you are being taken to an external website.

[Home](#)

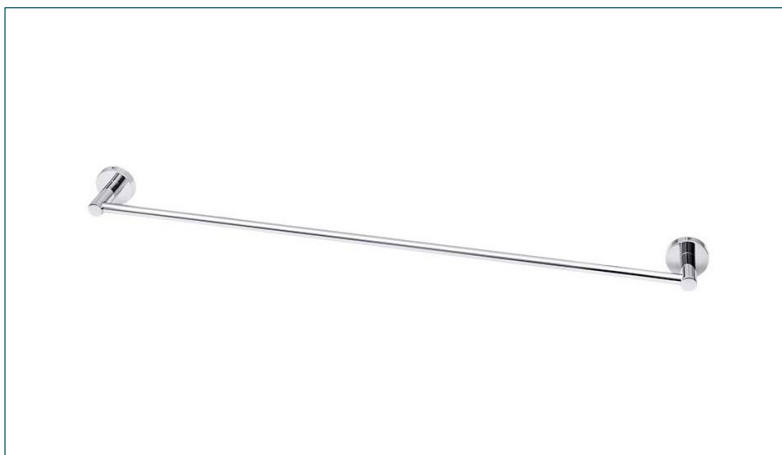
Bathroom Accessories

Chia Single Towel Rail



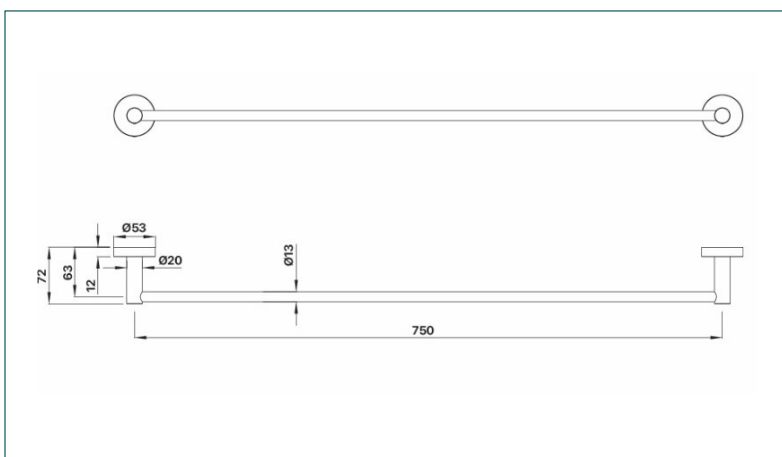
I/No: 0128258 **Supplier Code:** 13RSR01C

Product Dimensions: 750mm W x 72mm D **Warranty:** 10-year



Product Features:

- Backed by our Australian-based customer support team
- High-quality PVD & Electroplated finishes to ensure durability & long-lasting colour
- A commercial grade mountings with up to 4 fixing points



0128528	Chrome	
0128260	Matt Black	
0355895	Brushed Nickel	

[Click here for more product information](#)

*By clicking this link you are being taken to an external website.

[Home](#)

Bathroom Accessories

Tono 610mm Towel Rail

fienza

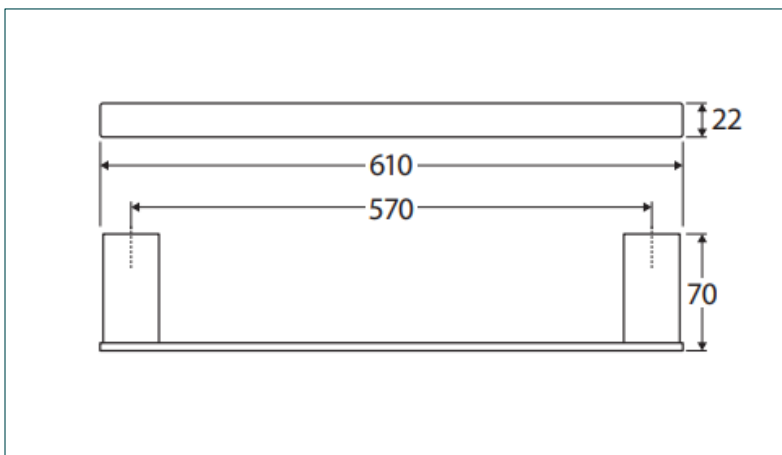
I/No: 1051802 **Supplier Code:** 85101600BN

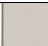


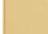
Product Dimensions: 610mm W x 22mm H x 70mm D **Warranty:** 5-year



Product Features:

- Streamline rectangular design
- Fixed length rail (not removable or adjustable)
- High strength mounting brackets
- Made from stainless steel



1051802	Brushed Nickel	
1051756	Chrome	
1051844	Matte Black	
1051857	Urban Brass	

[Click here for more product information](#)

*By clicking this link you are being taken to an external website.

[Home](#)

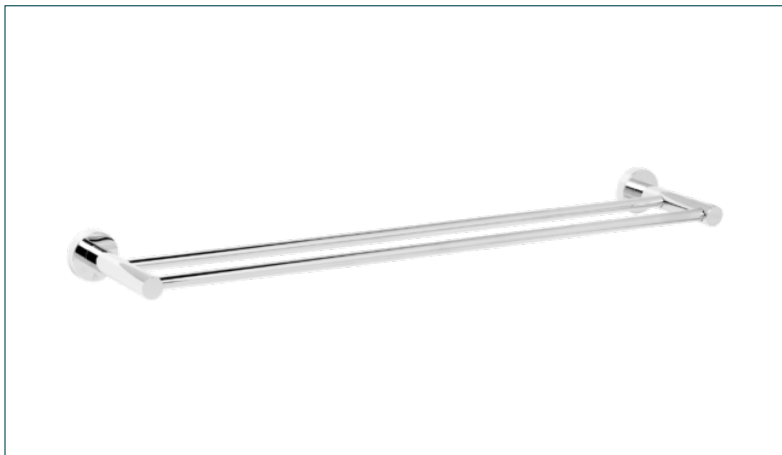
Bathroom Accessories

Venezia 600mm Double Towel Rail

JohnsonSuisse
Bathroom Solutions

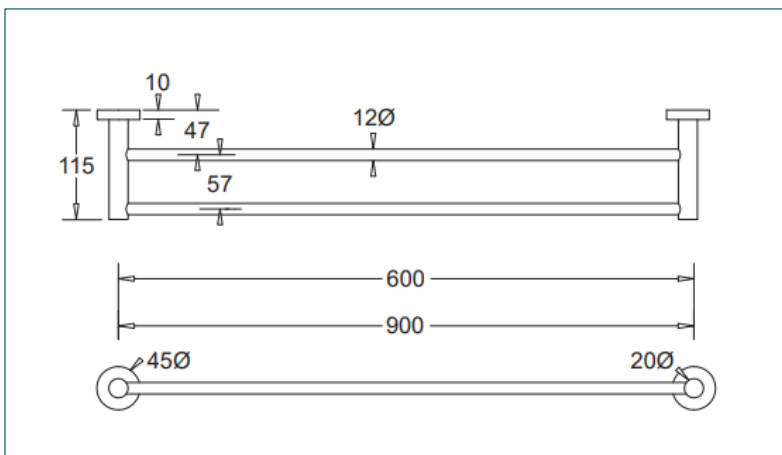
I/No: N/A **Supplier Code:** JACV601CH

Product Dimensions: 600mm W x 115mm D **Warranty:** 10-Year



Product Features:

- 600mm double bar towel rail
- Durable brass construction
- Simple, secure fixing
- Other Venezia design accessories available



[Click here for more product information](#)

*By clicking this link you are being taken to an external website.

[Home](#)

Bathroom Accessories

Luna 630mm Double Towel Rail

CAROMA | Made For Life

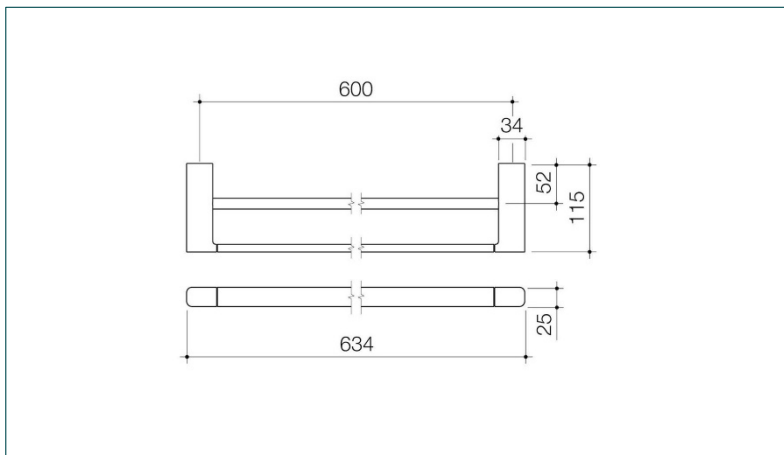
I/No: 0327390 Supplier Code: 99614BL

Product Dimensions: 634mm W x 25mm H x 70mm D Warranty: 1-year



Product Features:

- Constructed from high quality brass for long lasting durability
- High quality finish options
- Dual fixings



0327390	Black
0327392	Brushed Nickel
0126248	Chrome

[Click here for more product information](#)

By clicking this link you are being taken to an external website.

[Home](#)

Bathroom Accessories

Chia Robe Hook



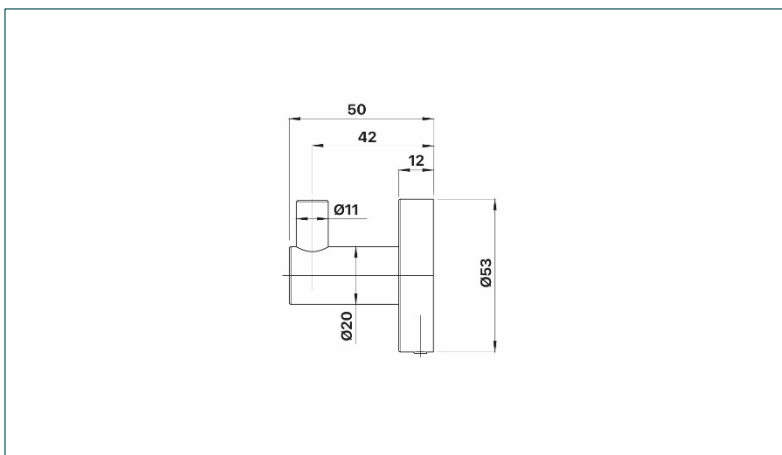
I/No: 0128400 **Supplier Code:** 13RRH01M

Product Dimensions: 53mm W x 50mm D **Warranty:** 10-year



Product Features:

- Backed by our Australian-based customer support team
- High-quality PVD & Electroplated finishes to ensure durability & long-lasting colour
- A commercial grade mounting with up to 4 fixing points



0128400	Matt Black	
0355889	Brushed Nickel	
0128398	Chrome	

[Click here for more product information](#)

*By clicking this link you are being taken to an external website.

[Home](#)

Bathroom Accessories

Tono Robe Hook

fienza

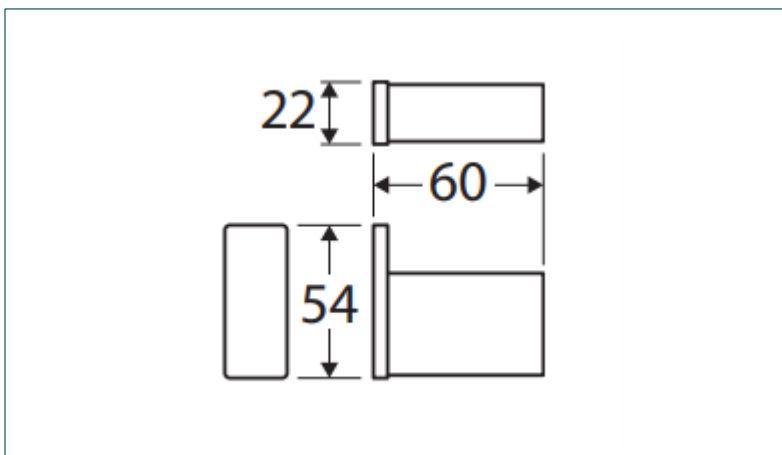
I/No: 1051794 **Supplier Code:** 85104MB


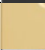
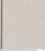

Product Dimensions: 54mm H x 22mm W x 60mm D **Warranty:** 5-year



Product Features:

- Streamlined rectangular design
- High strength mounting brackets
- Made from brass and stainless steel



1051794	Matte Black	
1051720	Urban Brass	
1051703	Brushed Nickel	
1051780	Chrome	

[Click here for more product information](#)

*By clicking this link you are being taken to an external website.

 Home

Bathroom Accessories

Venezia Robe Hook

JohnsonSuisse
Bathroom Solutions

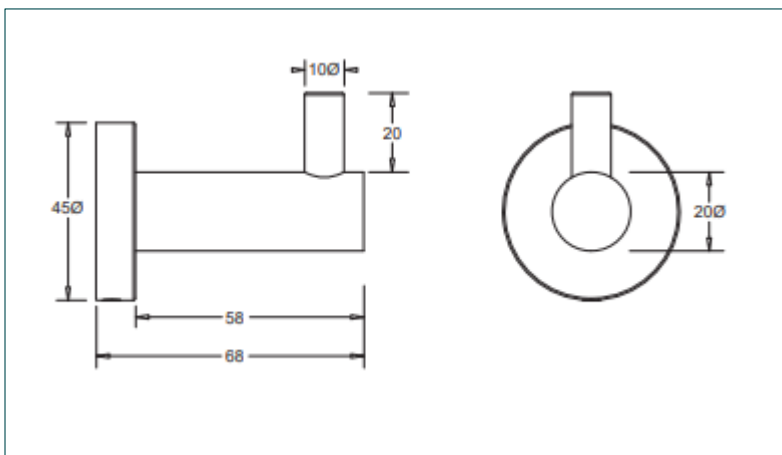
I/No: N/A **Supplier Code:** JACV222CH

Product Dimensions: 45mm H x 68mm D **Warranty:** 10-Year



Product Features:

- Single robe hook
- Durable brass construction
- Simple, secure fixing
- Other matching Venezia design accessories available



[Click here for more product information](#)

*By clicking this link you are being taken to an external website.

[Home](#)

Bathroom Accessories

Luna Robe Hook

CAROMA | Made For Life

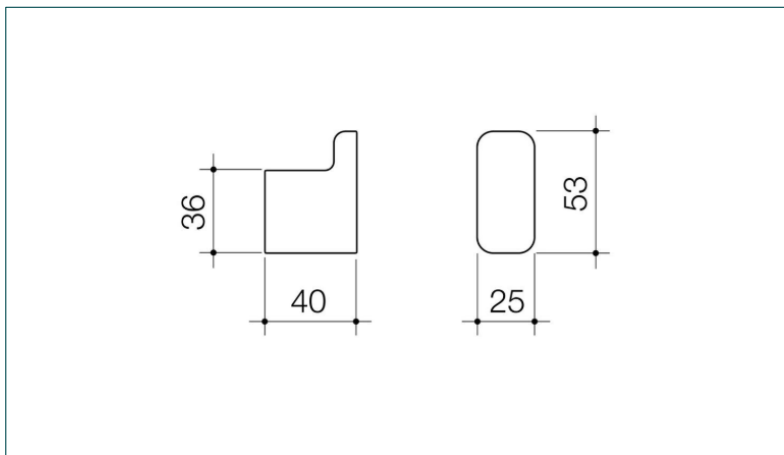
I/No: 0126255 **Supplier Code:** 99608C

Product Dimensions: 53mm H x 25mm W x 40mm D **Warranty:** 1-year



Product Features:

- Constructed from high quality brass for long lasting durability
- High quality finish options
- Dual fixings



0126255	Chrome
0327374	Black
0327375	Brushed Nickel

[Click here for more product information](#)

*By clicking this link you are being taken to an external website.

[Home](#)

Contact us for all your business needs

Phone

134 Trade

Email

sda@bunnings.com.au

Visit

trade.bunnings.com.au/products/assisted-living

trade.bunnings.com.au/about-us/sda-solutions