

# 5 Shelf Metal Storage Unit

## 1830H x 910W x 410Dmm Powder Coated

**Very Important:** Unpack the unit and confirm that you have all the parts listed. Assemble the unit on a solid, level surface. Avoid carpet. You may need the assistance of a second person during assembly. **You will need the following:** Rubber mallet or hammer. **Note:** Do not place additional MDF boards on shelving brackets until completion of shelving unit!

### SAFETY TIP:

When assembling or installing this product wear protective gloves and eyewear.

**For your safety the following must be adhered to:**

- This shelving unit will hold 150kg per shelf.
- Heavier items should be stored on the lower shelves.
- Always distribute items evenly on all shelves.

**Safety tip:** For added safety and support we recommend you fix unit to a wall.



### WARNING




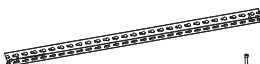


SERIOUS INJURY OR DEATH CAN BE CAUSED BY TOPPLING FURNITURE

#### TO HELP PREVENT A TIP-OVER:

• Anchor this product to a wall or other suitable surface with the provided "Tip over prevention kit". • Check anchors regularly

FOR MORE INFORMATION SEARCH: [www.productsafety.gov.au](http://www.productsafety.gov.au)

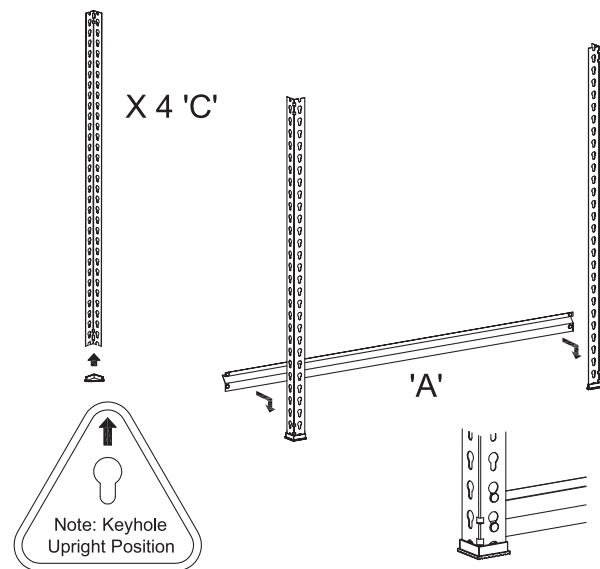
### PARTS LIST

	<b>MDF Shelves</b>	<b>x5</b>
	<b>Brackets "A"</b>	<b>x10</b>
	<b>Brackets "B"</b>	<b>x10</b>
	<b>Legs "C"</b>	<b>x8</b>
	<b>Connector Pins</b>	<b>x4</b>
	<b>Foot End Caps</b>	<b>x4</b>

**NOT TO SCALE**

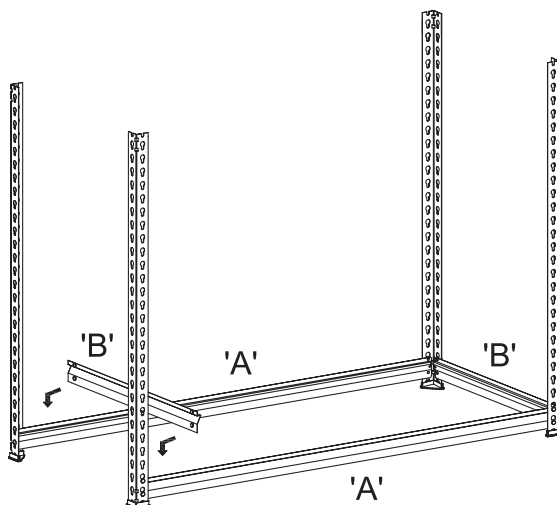
**PLEASE NOTE:** Tip-over prevention kit included (refer to last page for installation).

### STEP 1



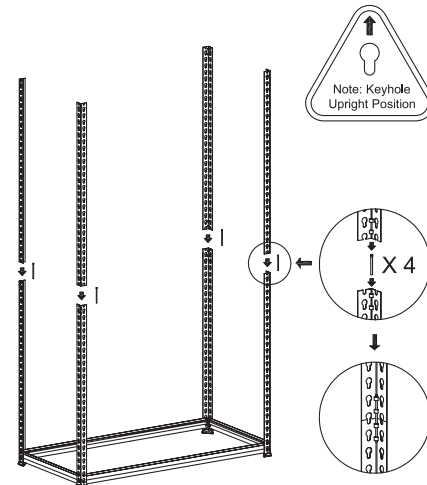
Place foot end caps onto the bottom of the 4 legs 'C'. Note upright position. Place shelving bracket 'A' onto the legs 'C'. A rubber mallet can be used to lightly tap all brackets into the keyholes on the legs into place.

### STEP 2



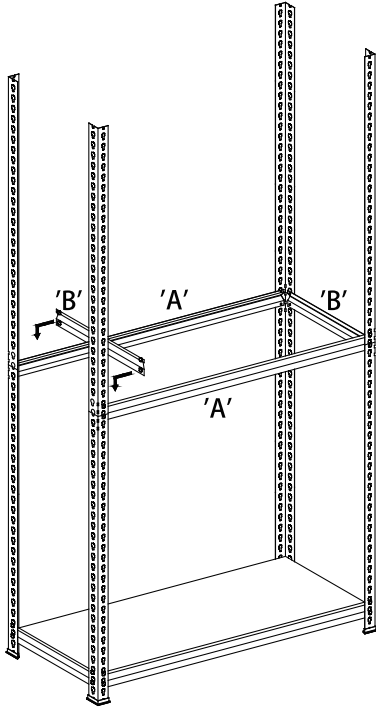
Use Shelf Brackets 'B' for the side brackets, using the Shelf Bracket from Step 1 as a guide for height. Use the same Shelving Brackets for opposing sides as shown in the diagram.

### STEP 3



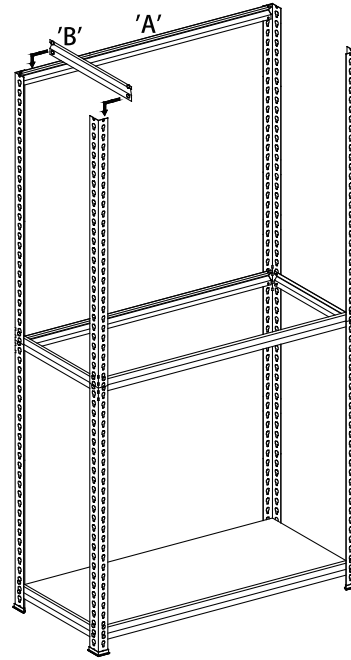
Place MDF board on bottom shelf to minimise buckling. Join the upper legs to the lower legs with the connector pins. Note upright position. Note: The legs are designed to sit directly on top of each other - don't overlap them. Handy Hint: Flathead screwdriver may be used to tap in connector pins.

#### STEP 4



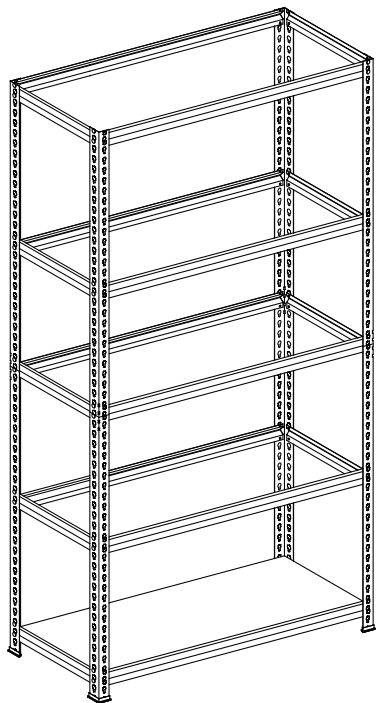
Fix brackets 'B' so that the top rivet sits on the upper legs and the bottom rivets sit on the lower legs. Repeat with brackets 'A'.

#### STEP 5



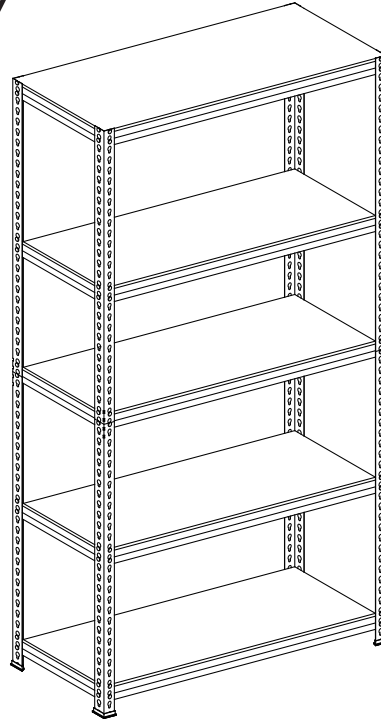
Fix Brackets 'A' at the very top allowing enough room for the MDF Shelf to sit against the legs. Repeat with Brackets 'B'.

#### STEP 6



Apply remaining Brackets as above to desired height.

#### STEP 7



Position the MDF Shelves in place.

**PLEASE NOTE:** Refer to next page for attaching the provided Tip-over prevention kit.

**WARRANTY CONDITIONS:** Any claim under this warranty must be made within 1 year of the date of purchase of the product. To make a claim under this warranty, take the product (with proof of purchase) to any Bunnings store (for AUS customers see [www.bunnings.com.au](http://www.bunnings.com.au) and for NZ customers see [www.bunnings.co.nz](http://www.bunnings.co.nz) for store locations). Pinnacle Hardware bears reasonable, direct expenses of claiming under the warranty. You may submit details and proof of purchase to our support centre for consideration. The warranty covers manufacturer defects in materials, workmanship and finish under normal use. This warranty is provided in addition to other rights and remedies you may have under law. Our goods come with guarantees that cannot be excluded under the Australian consumer law or Consumer Guarantees Act 1993 (NZ). You are entitled to a replacement or refund for a major failure and compensation for any other reasonably foreseeable loss or damage. You are also entitled to have the goods repaired or replaced if the goods fail to be of acceptable quality and the failure does not amount to a major failure. This warranty excludes damage resulting from product misuse or product neglect, any modifications, additions or alterations to the product including the addition of extra shelves. Additions or modifications can compromise the structure and safety of the product. The warranty covers domestic use only and does not apply to commercial applications. This warranty is given by Pinnacle Hardware, ABN 87 614 496 196, 28 Hudson Court, Keysborough Vic 3173, 1800 349 776, Email: [support@pinnacle.net.au](mailto:support@pinnacle.net.au). Products sold in New Zealand are imported by Bunnings New Zealand. 'Pinnacle' is a trademark. © Pinnacle Hardware. Suitable for model number 2760578.

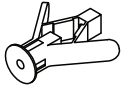


## TIP OVER PREVENTION KIT:



**PLEASE NOTE:** We strongly recommend that this product is permanently fixed to a wall. Please use the provided "Tip over prevention kit" to securely fix product to your wall.

### Parts list:



A x2



B x2

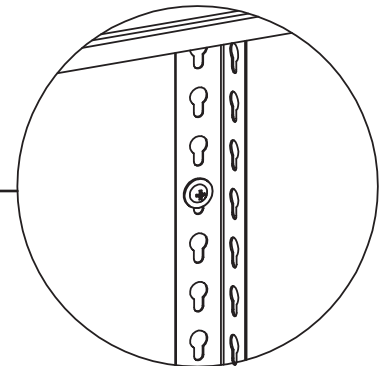
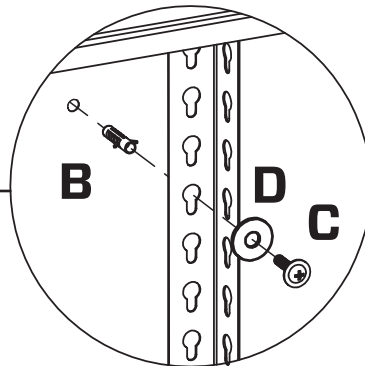
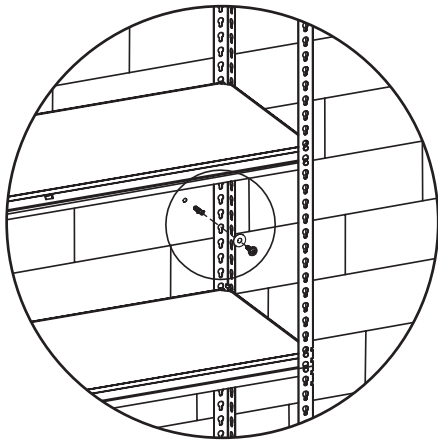


C x2

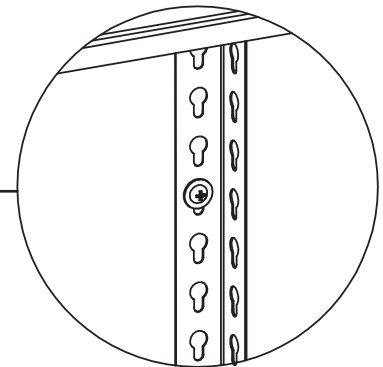
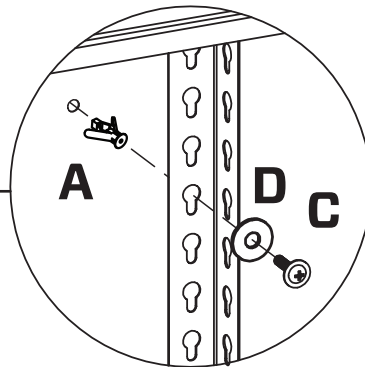
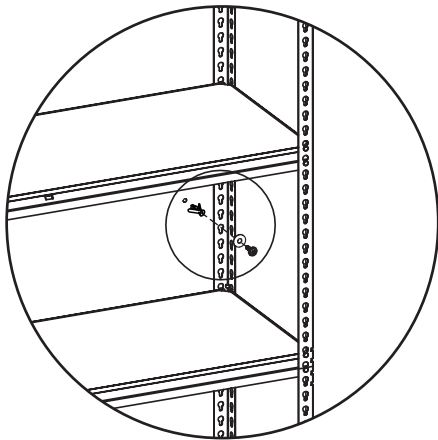


D x2

### Final Step (For Brick/Masonry wall):



### Final Step (For Plaster wall):



**It is STRONGLY RECOMMENDED that you ANCHOR this product.**

Toppling furniture can cause serious injuries and death.

A "Tip over prevention kit" has been provided with this product to stop your furniture from tipping forward, it is strongly recommended that you **securely attach this product** to a wall or other solid surface using the provided fixings.

**IMPORTANT:** Regularly check that anchors are securely maintained. Stability of tall items may be affected by thick pile carpet or uneven floors.

### CAUTION:

For your safety when attaching the anchor fixings, please note the following:

- Check for any electrical wires or plumbing inside the wall before drilling any holes (if you are unsure please seek professional advice from a qualified tradesperson)
- Walls are constructed from different materials, for example, masonry (solid brick) or plasterboard lined cavity walls (hollow). It is important that you use the appropriate wall fixings for your wall type.