

LUGNA

FORM & FUNCTION



ASSEMBLY INSTRUCTIONS

DOOR HINGES

OPENING
110°

OPENING
165°

LUGNA understands the importance of timeless style and practical durability for a home's form and function. Our European-inspired collection is simple and easy to use, with five modern colours that complement any style and space. LUGNA's modular system allows for endless configurations and additions, with various-sized cabinets, drawers, shelving, and hinged doors that can be combined to create a bespoke look on any budget. Whether you're looking for something modern and sleek or classic and elegant, LUGNA has something for everyone.



SCAN TO PLAN

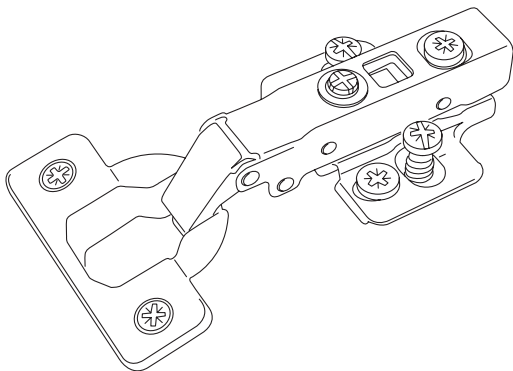
Plan your space with
our online planner

3 YEAR

WARRANTY

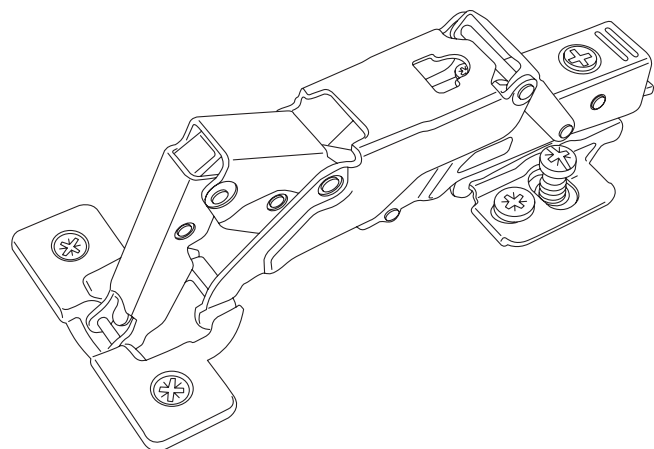


Choosing the correct Hinge for your door application



110° Hinge

The 110-degree hinge is suited to applications where there are no drawers and the Doors are only concealing shelves and hanging rails.

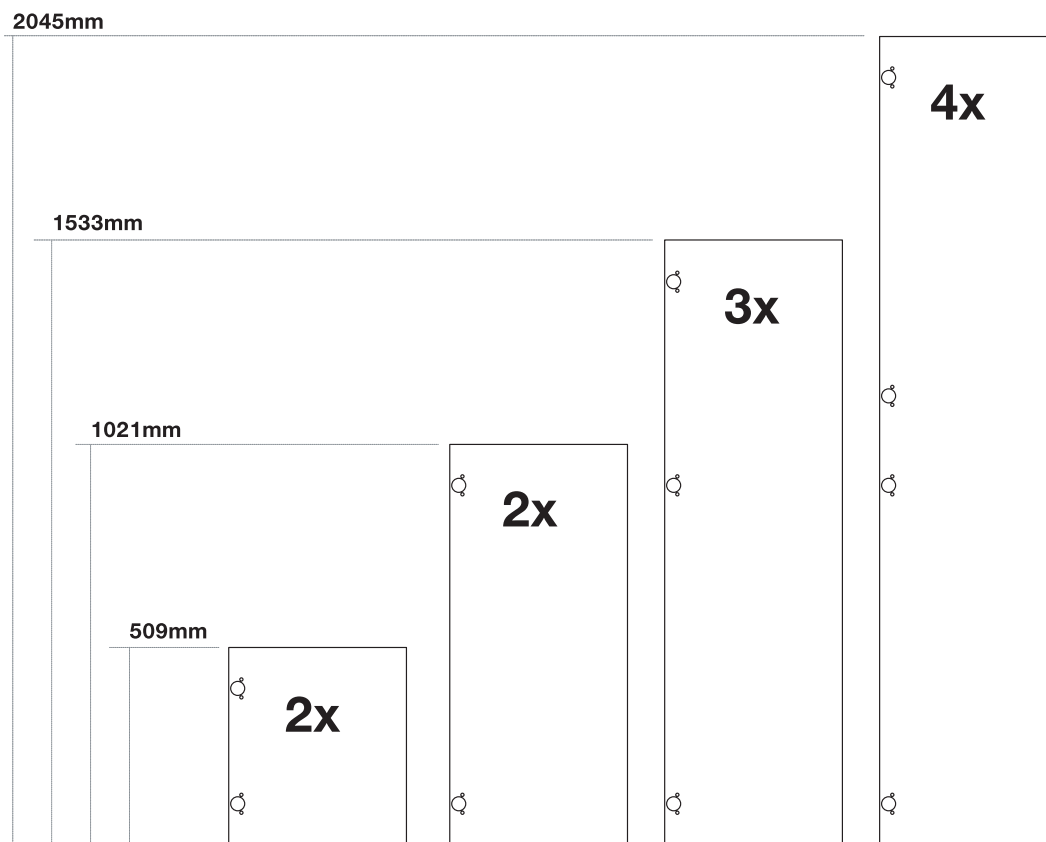


165° Hinge

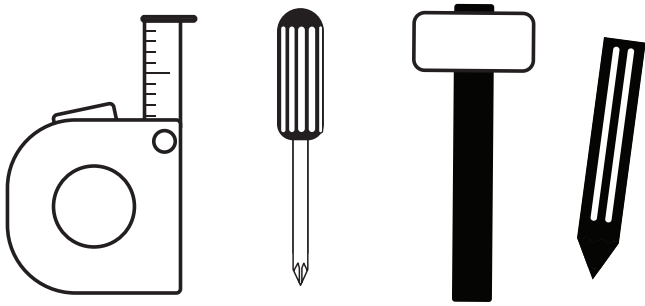
The 165-degree hinge is suited for applications where internal drawers are concealed behind a door. The 165-degree hinge allows the doors to swing clear, allowing the drawer to slide out.

Hinge Quantity

The number of hinges required will vary according to the door height. Make sure you have the correct number of hinges to suit your door installation.



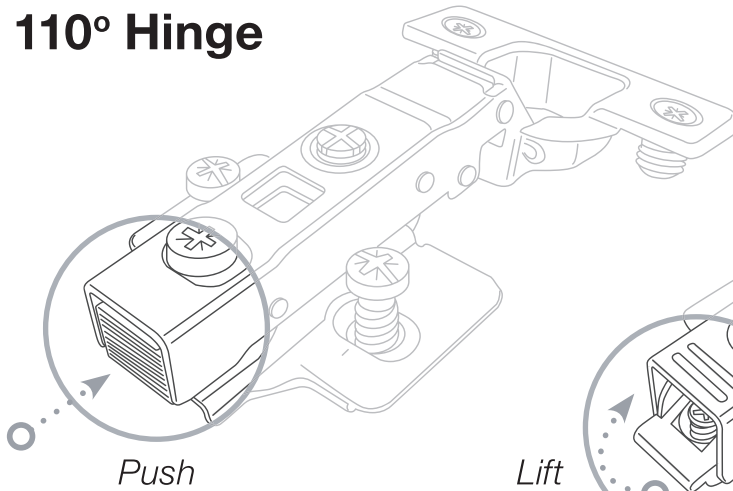
What you will need



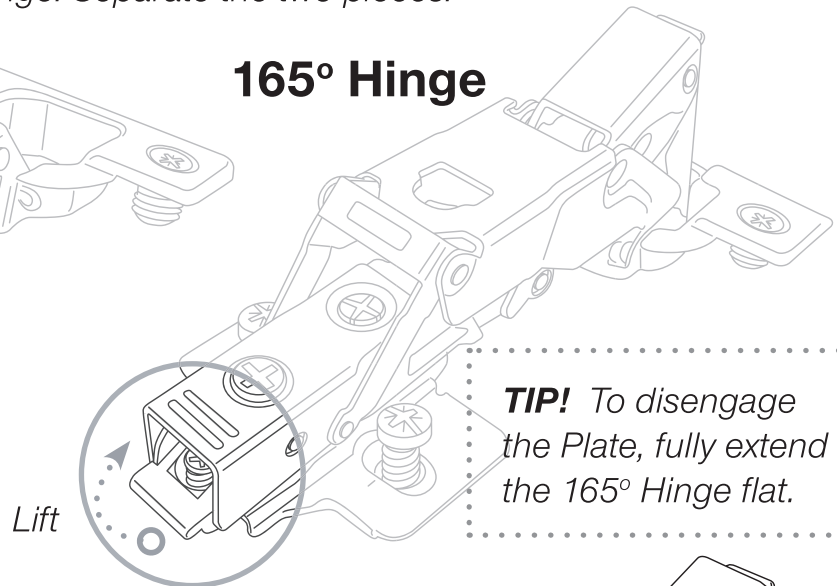
STEP 1

Disengage the Hinge Plate from the Hinge. Hold the Hinge Plate and PUSH or LIFT the release mechanism at the end of the Hinge. Separate the two pieces.

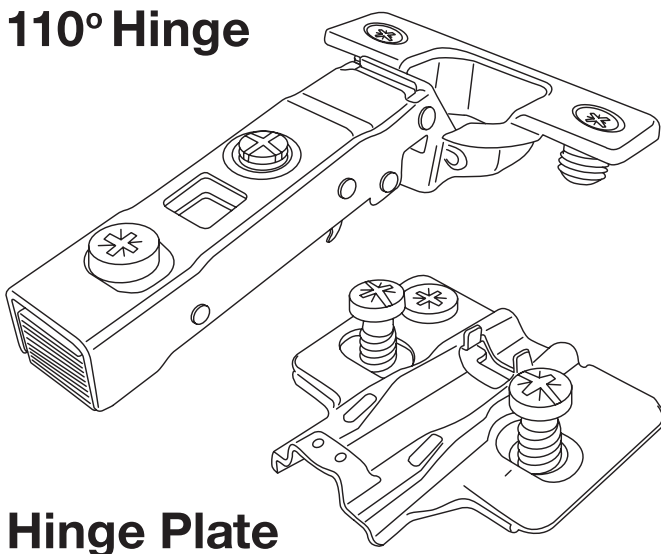
110° Hinge



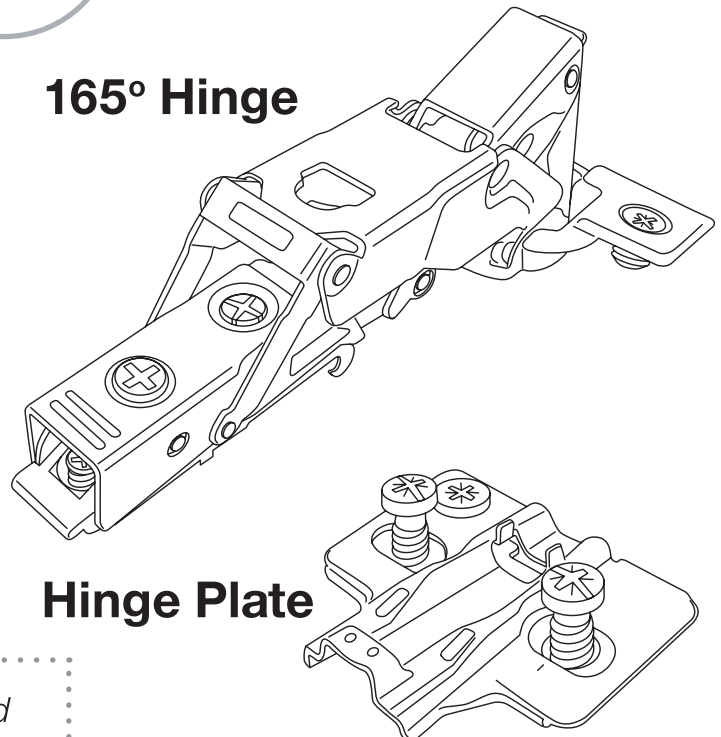
165° Hinge



110° Hinge



165° Hinge



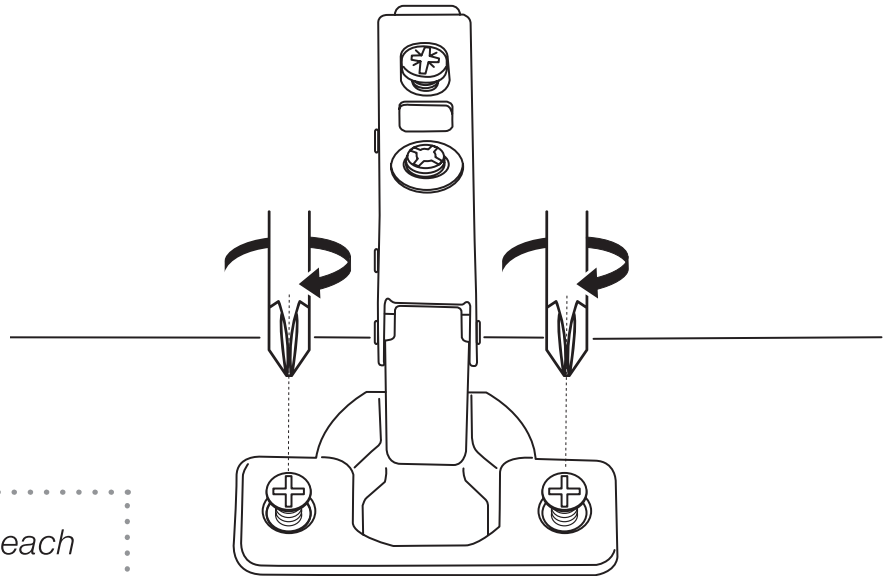
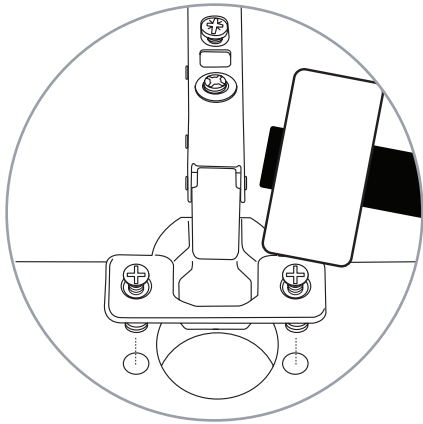
Hinge Plate

Hinge Plate

TIP! The Hinge Plate is interchangeable and can be used with both Hinges - 110° & 165°

STEP 2

Align the Hinge cup and screw lugs with the pre-drilled holes in the door frame. Use a mallet and lightly tap the Hinge to seat the Hinge flush. Tighten the two screws with a phillips head screwdriver.

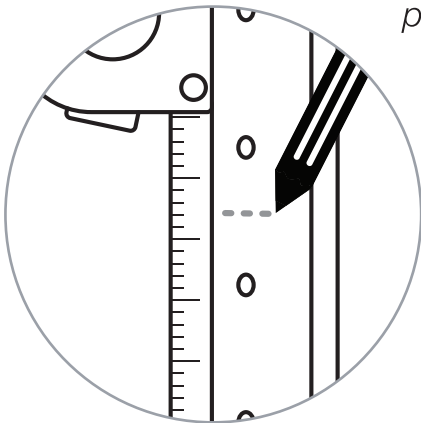


Repeat STEP 1 and 2 for each Hinge for your door.

STEP 3

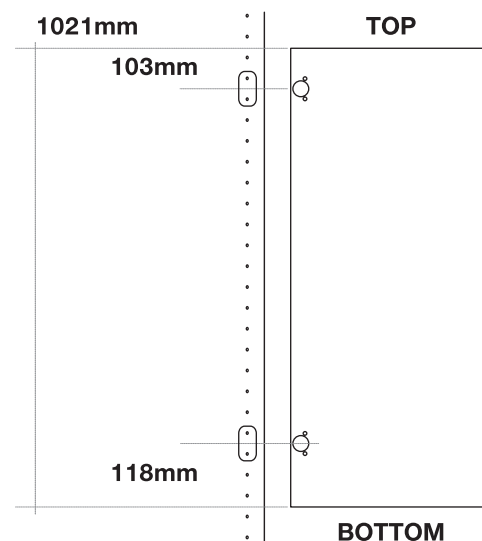
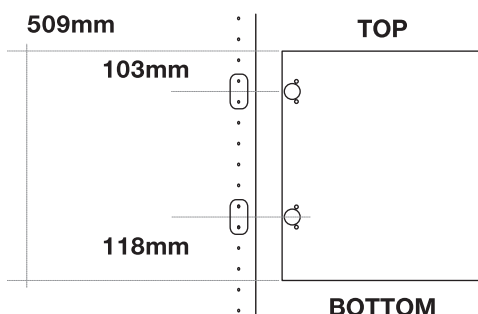
Cabinet Hinge Plate Alignment

Use a Tape Measure and Pencil to mark the center position of each Hinge Plate on the Cabinet.

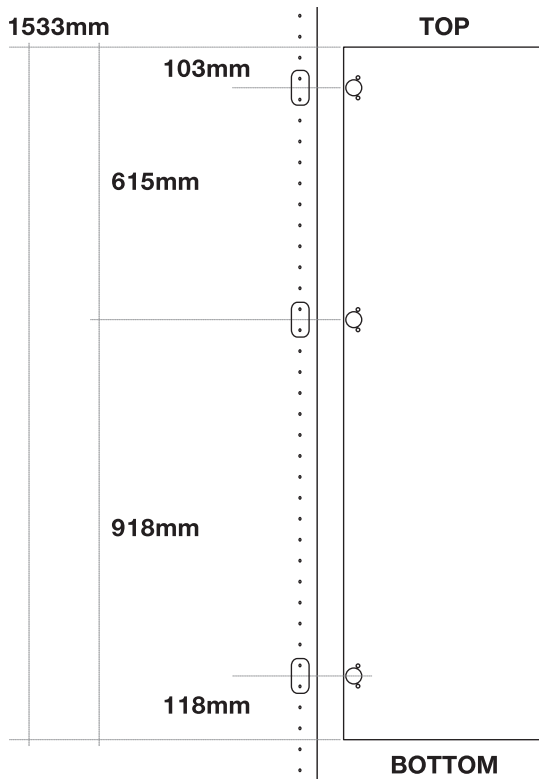


2x Hinge Door

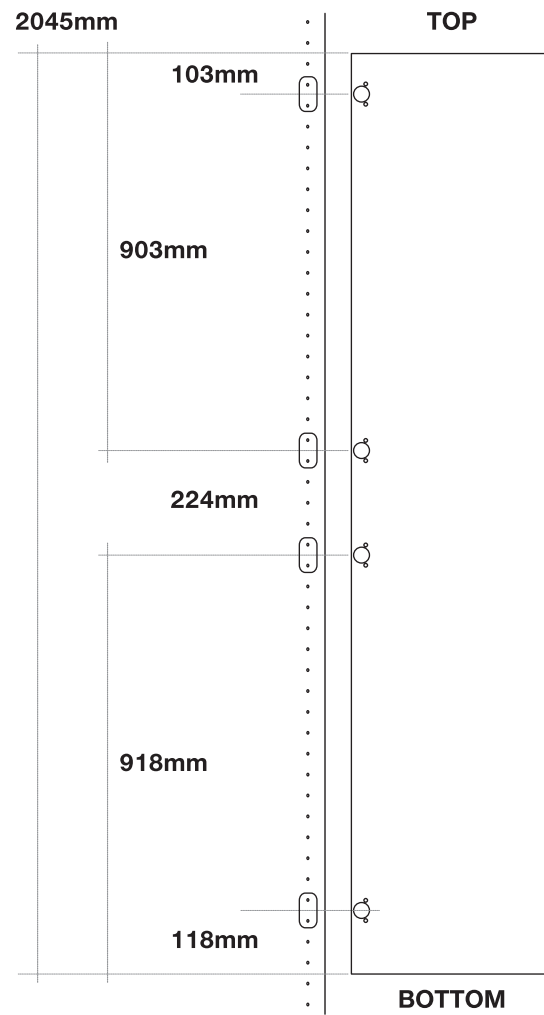
2x Hinge Door



3x Hinge Door



4x Hinge Door

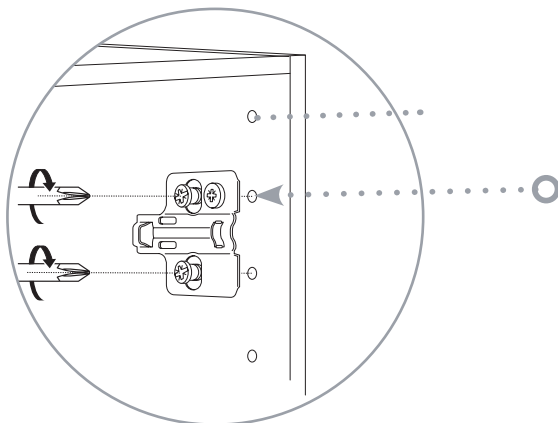


TIP! – In most cases

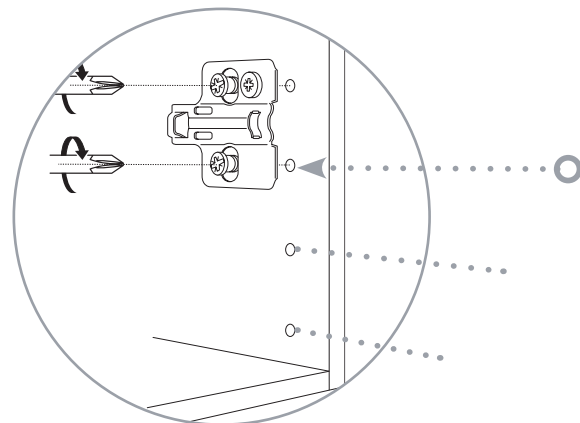
The Top Hinge Plate is positioned on the second hole from the top.

The bottom Hinge Plate is positioned on the third hole from the bottom.

Top Hinge Plate



Bottom Hinge Plate

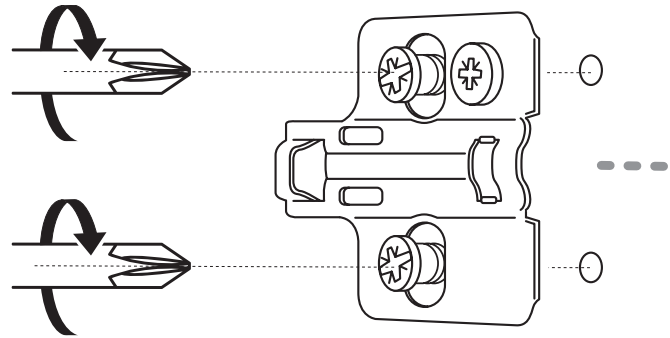


STEP 4

Hinge Plate Attachment

Align the Hinge Plate and screws with the holes in the cabinet side panel.
Tighten the two screws with a phillips head screwdriver.

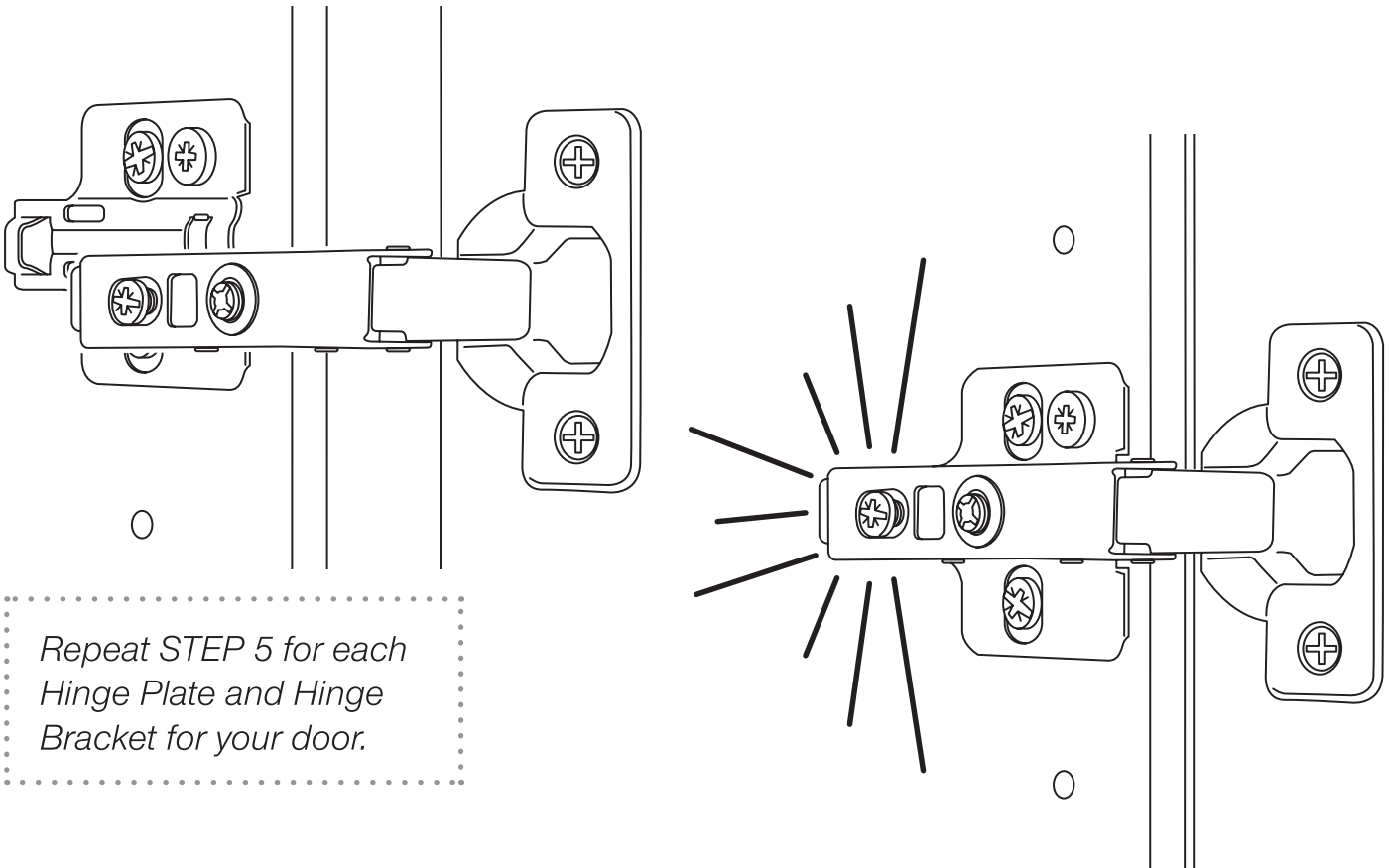
Repeat STEP 4 for each
Hinge Plate for your door.



STEP 5

Attaching the Door to the Cabinet

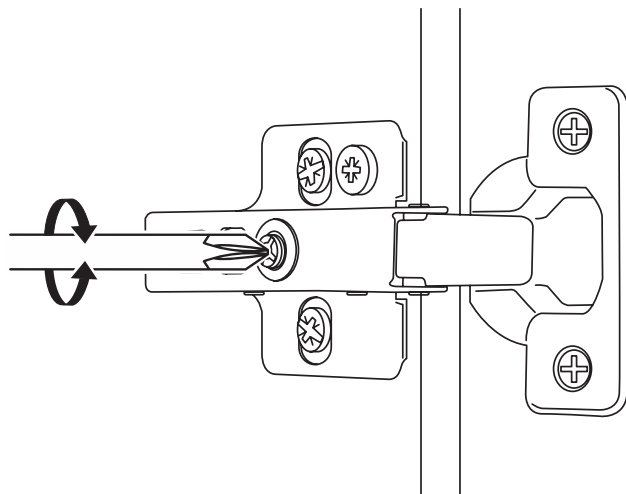
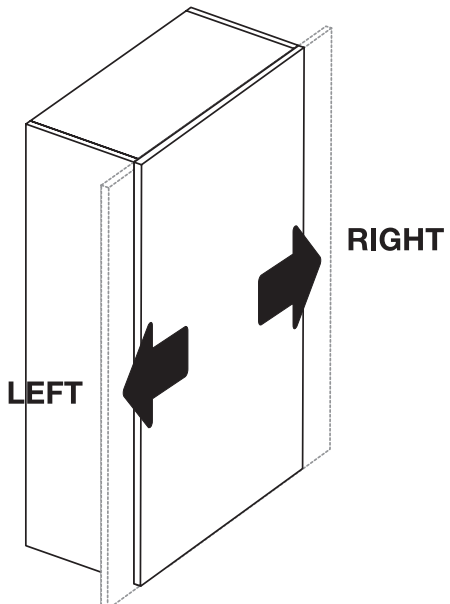
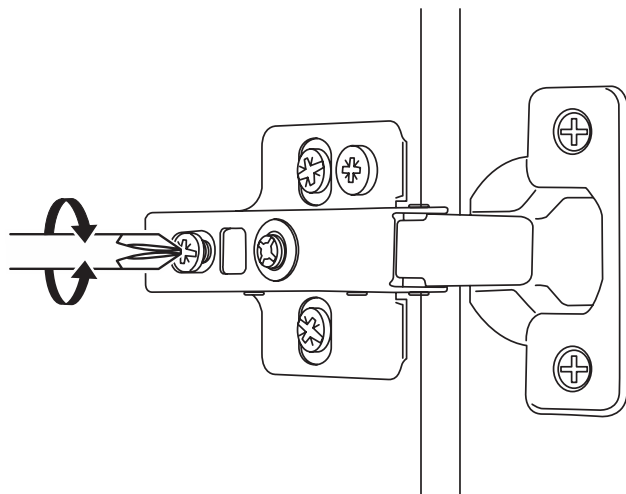
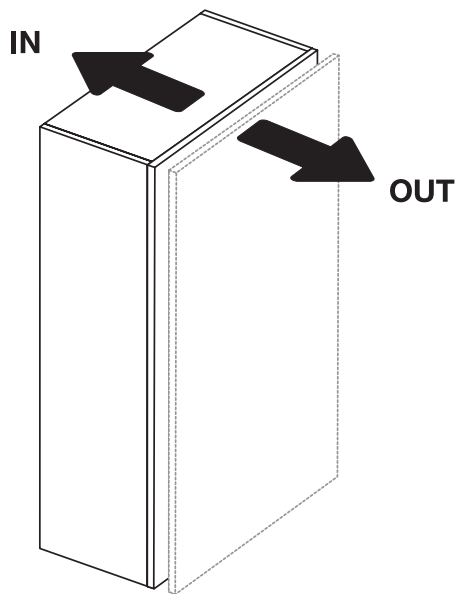
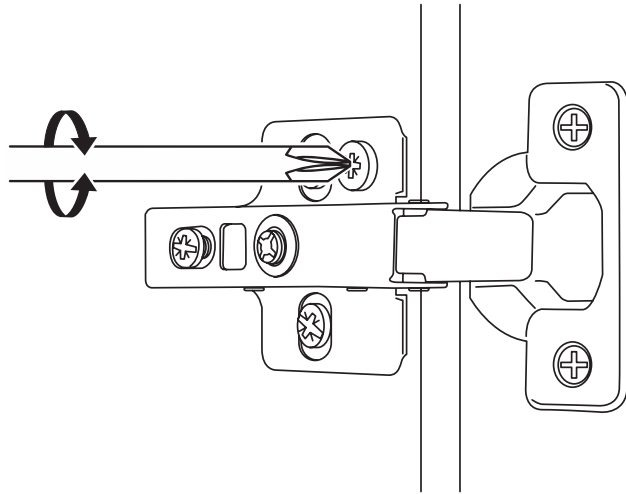
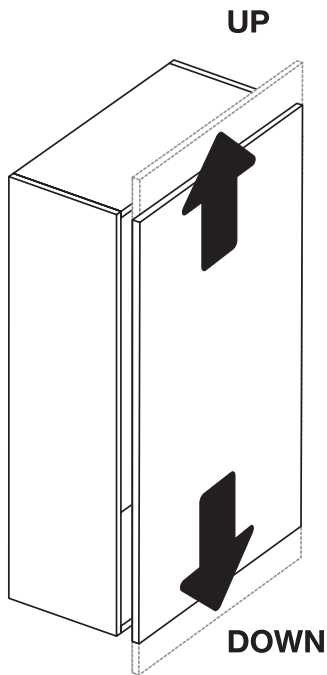
Lift or prop the door to the correct height. Align the Door Hinge with the Hinge Plates attached to the Cabinet. Hook the Hinge to the Hinge Plate and push the Hinge until you hear a "Click".



Repeat STEP 5 for each
Hinge Plate and Hinge
Bracket for your door.

STEP 6

Door Alignment - Hinge Adjustment



LUGNA

FORM & FUNCTION

CABINET CARE INSTRUCTIONS

Everyday care for your cabinets:

Liquid spills should be cleaned up as they occur. Liquids and other damp objects, i.e. towels, will eventually cause permanent damage should they be left unattended.

Everyday clean-up of cabinets can be done with a damp cloth and a dry cloth. Ensure you use a clean cloth every time when wiping down your cabinets, as foreign dirt, grease, and oils may inadvertently be transferred to the surface.

Cleaning melamine products:

Oils, grease, and other soils that do not respond to water can be removed with a solution of mild soap and water. The surface should be rinsed immediately with a clean, damp cloth and dried thoroughly with a soft cloth to avoid streaking or moisture seeping into the seams around the edges.

PLEASE NOTE: Never use abrasive cleaners, ammonia, bleaching agents, scouring pads or powdered cleaners on any type of cabinetry.

Cleaning cabinet hardware:

Brass and Silver cleaners are not recommended for cleaning handles. Some of these cleaning solutions contain harsh chemicals that may damage the finish on your handles.

Wash your hardware with a solution of warm water and a small amount of mild dish detergent. Dry your hardware and areas around the cleaned area immediately.

Hinges can be cleaned with a dry cloth or cotton-tipped swab.