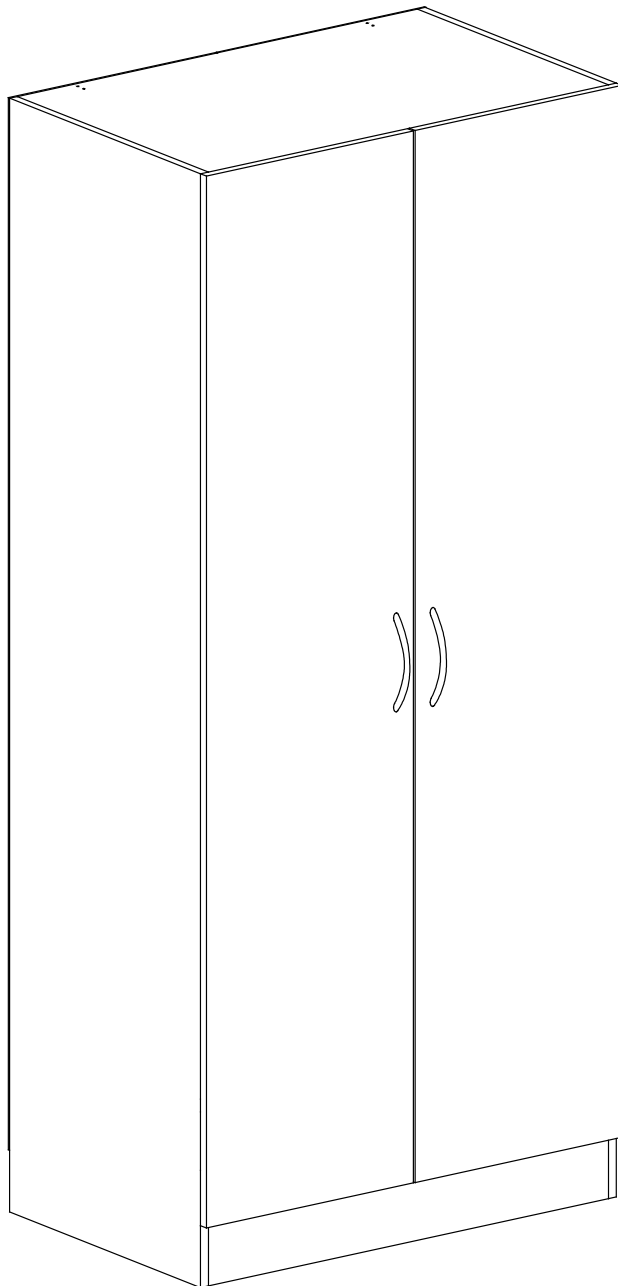


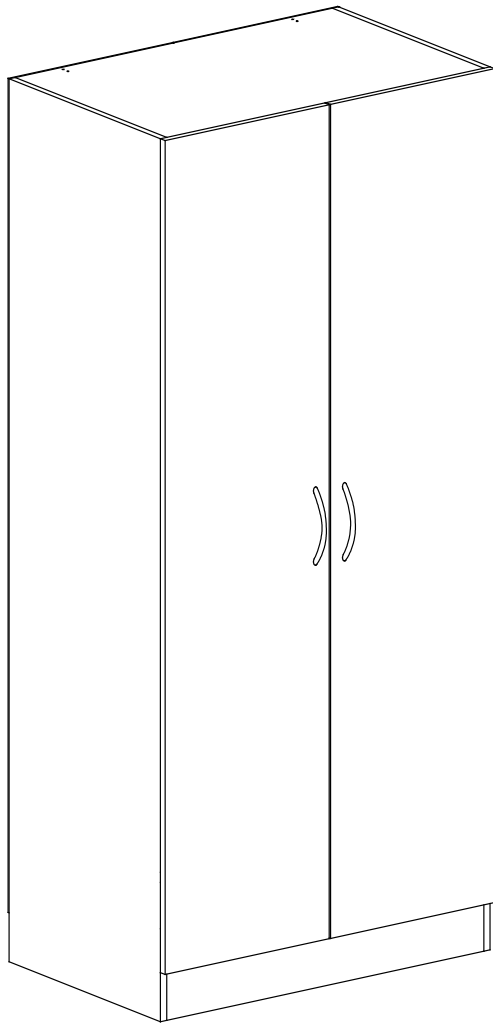
# 2 DOOR ROBE ASSEMBLY GUIDE








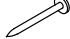













## IMPORTANT

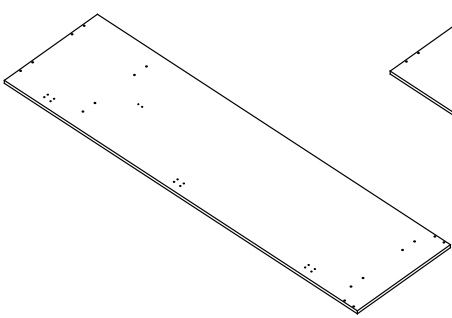
Before commencing assembly:

- Read all instructions COMPLETELY.
- Hardware kit contains small parts; keep out of reach of children.
- Ensure all listed parts are present.
- Required tools to assemble: Phillips Head Screwdriver, Drill and Hammer.
- Required assembly work surface should be solid, level, clean and flat.
- Ensure all edged surfaces are facing to the front of the unit.

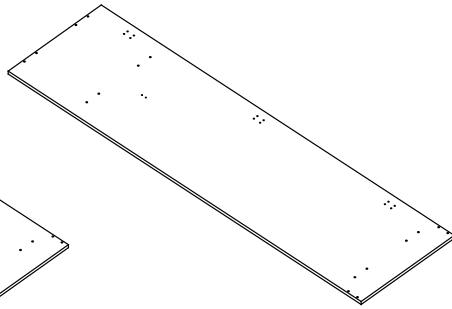




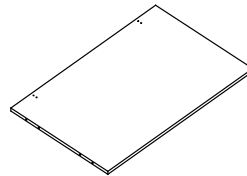
A		20
B		2
C		4
D	 	1
E		36
F		6
G		24
H		2
I		4
J		2
K		2
L		4
M		12
N		1
O		4
P		4
Q		2
R		4
S		1
T		12



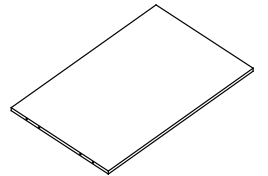
①



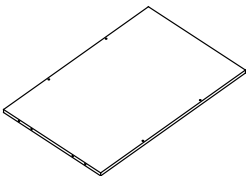
②



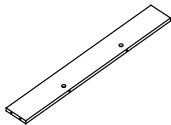
③



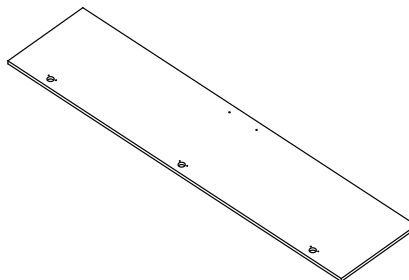
④



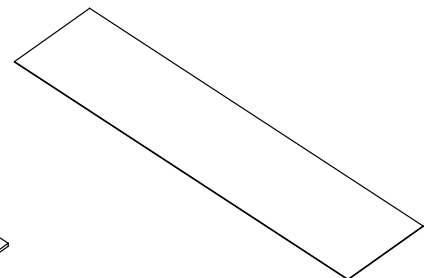
⑤



⑥ x2

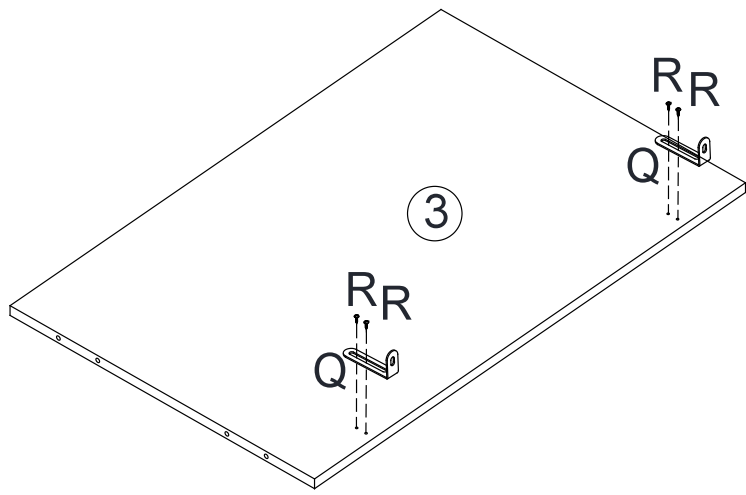


⑦ x2

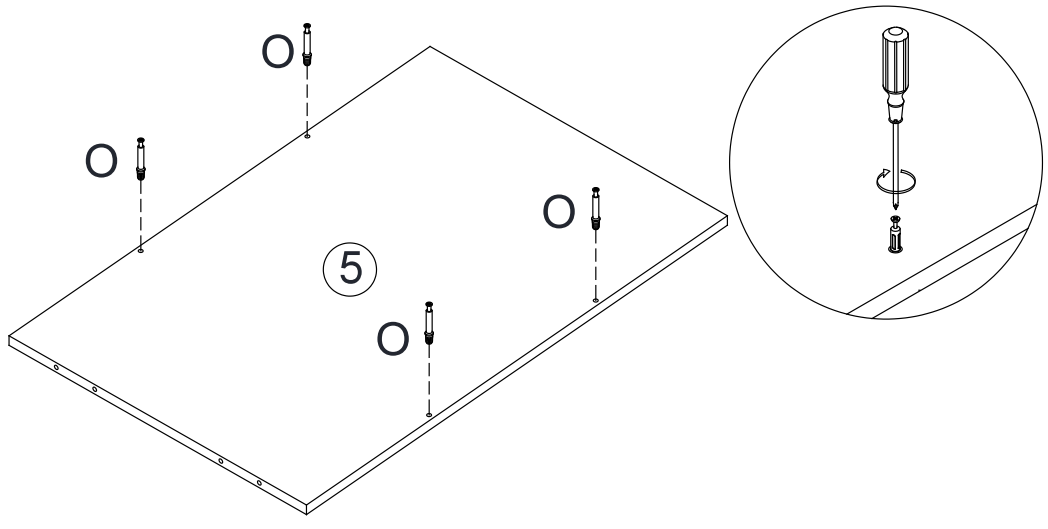


⑧ x2

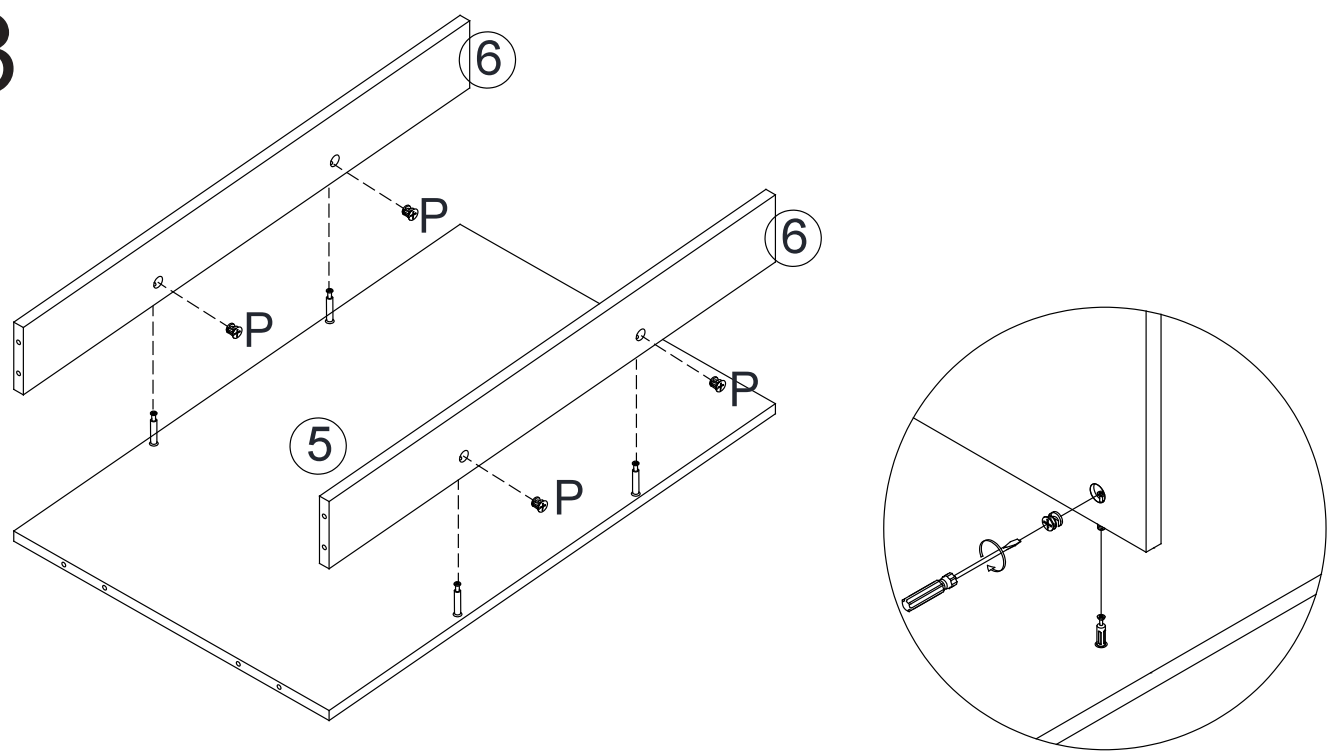
1



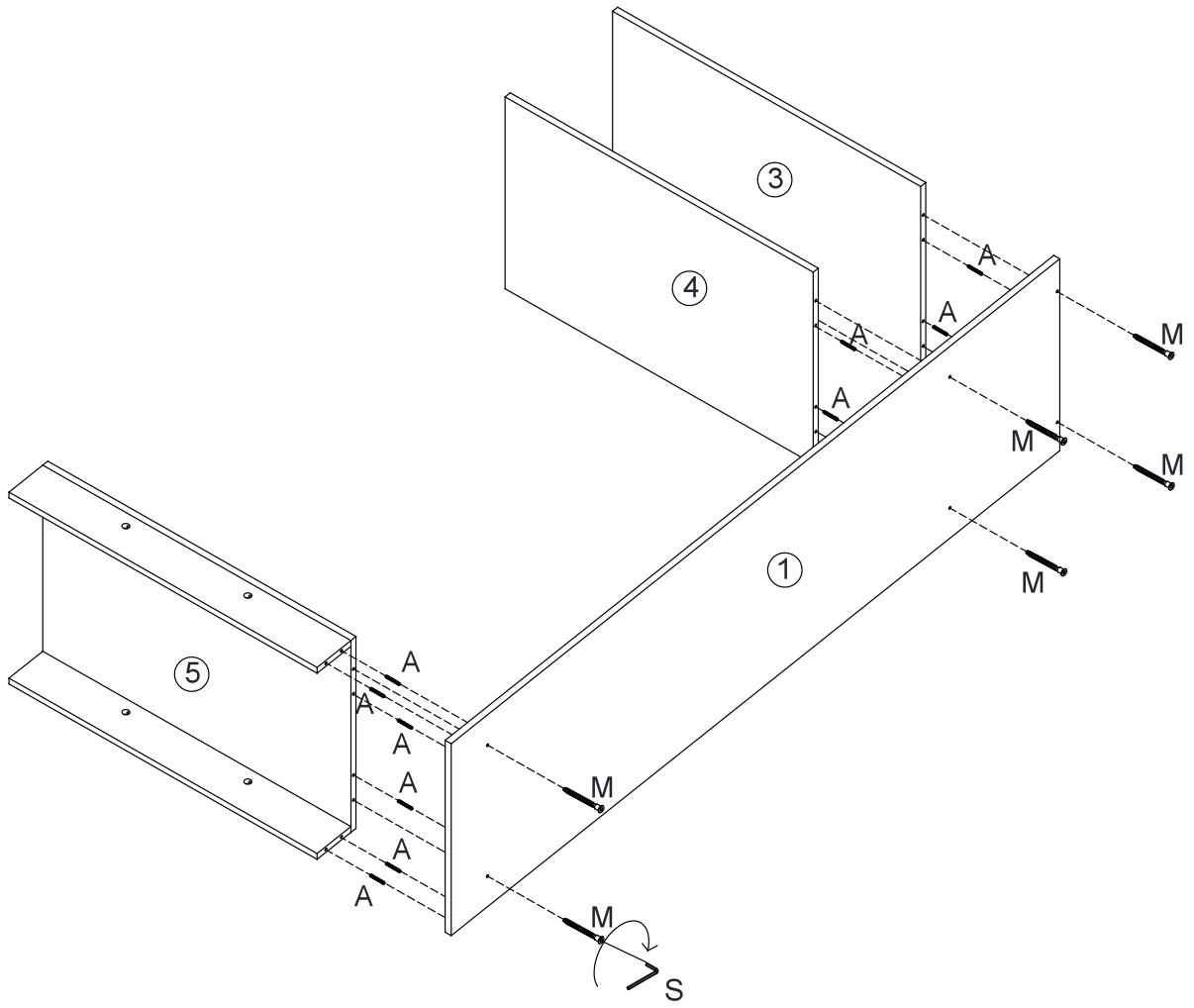
2



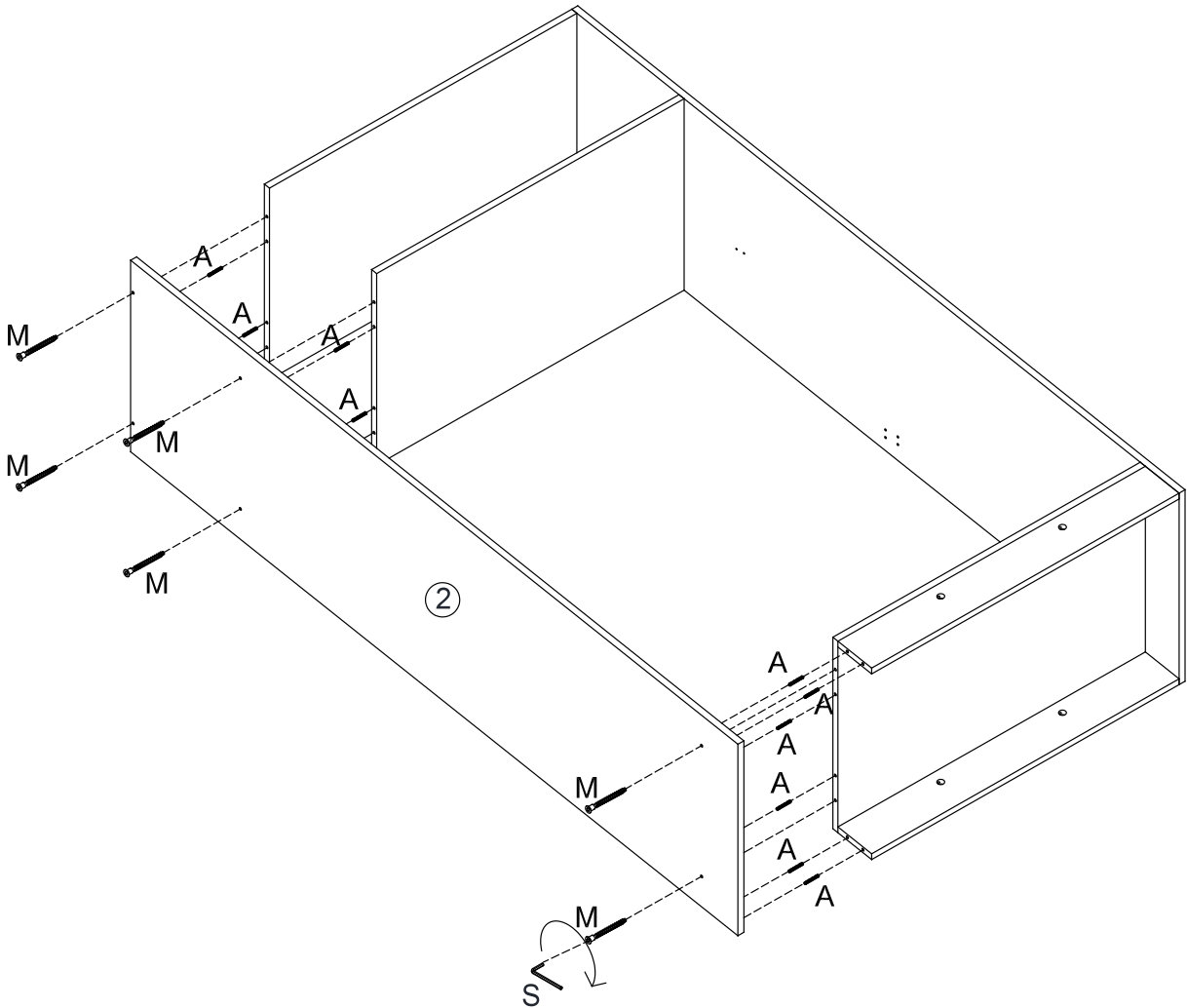
3



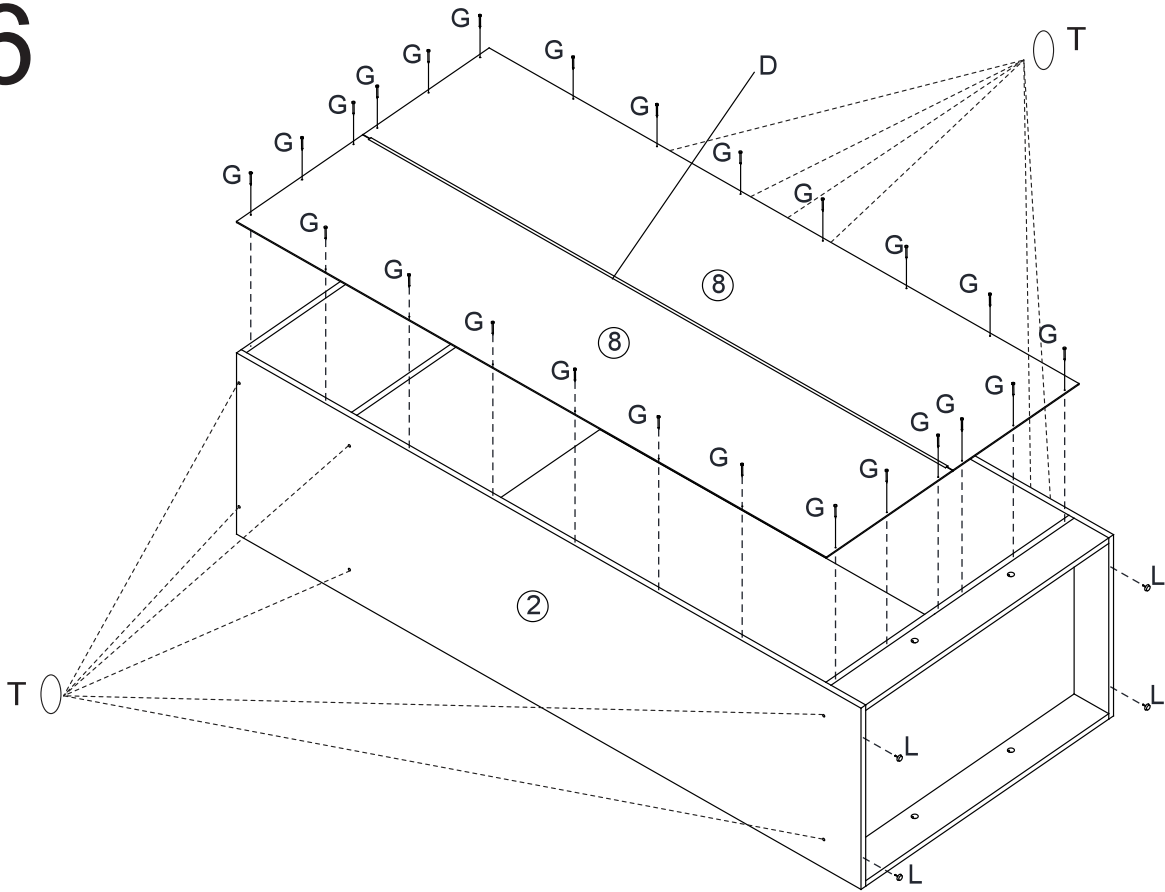
# 4



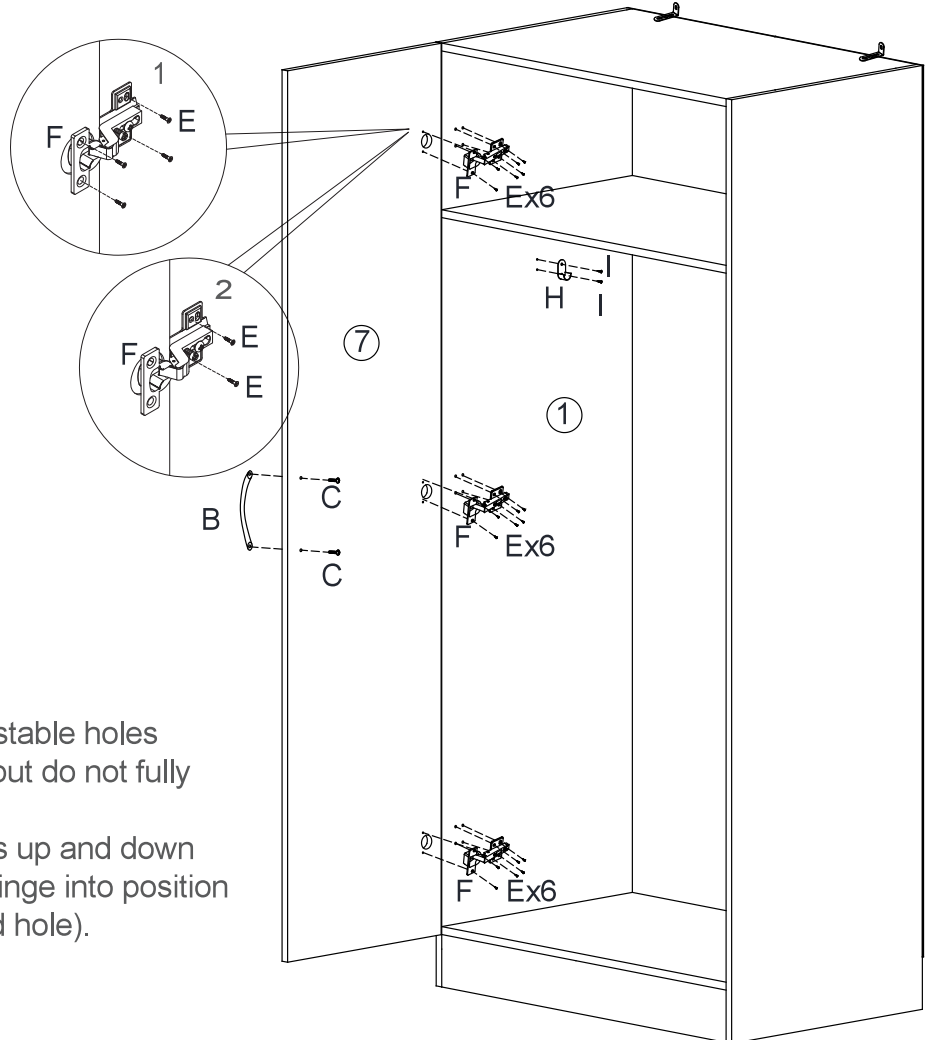
# 5



# 6

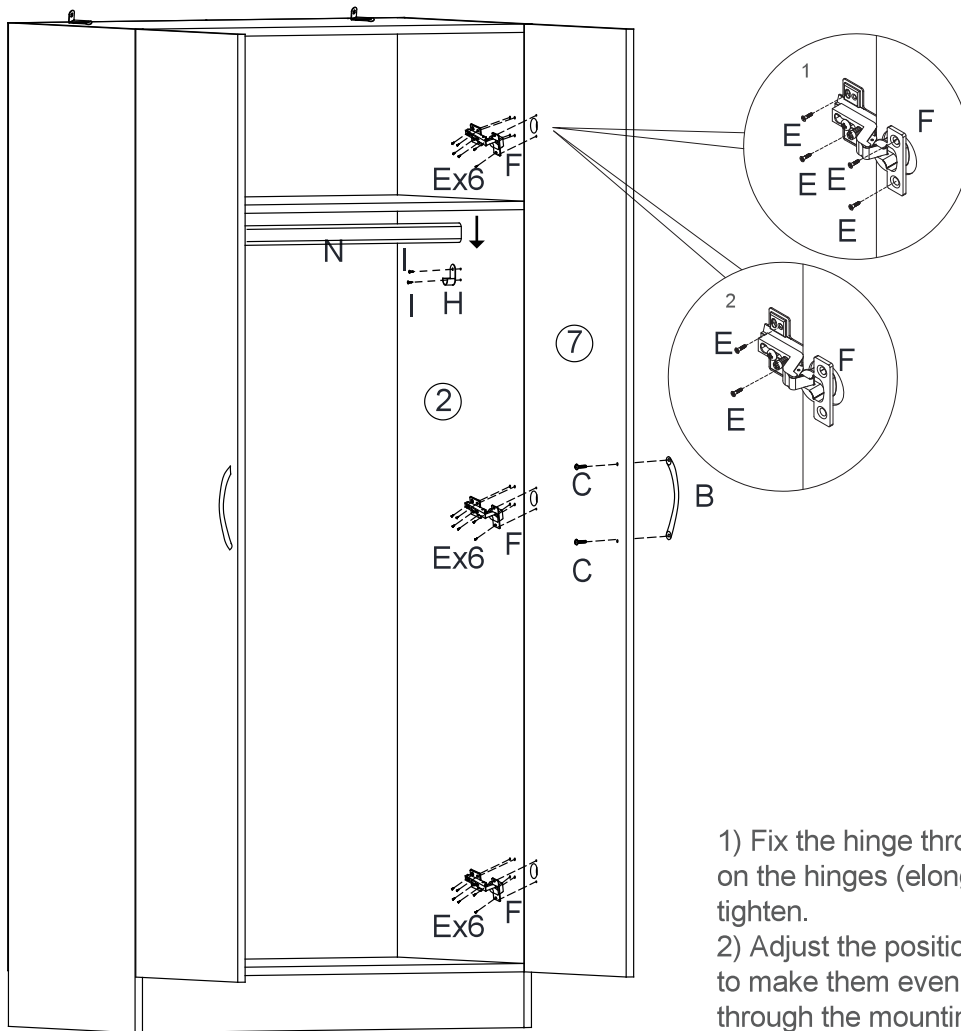


# 7



- 1) Fix the hinge through the adjustable holes on the hinges (elongated holes) but do not fully tighten.
- 2) Adjust the position of the doors up and down to make them even then fix the hinge into position through the mounting hole (round hole).

# 8



- 1) Fix the hinge through the adjustable holes on the hinges (elongated holes) but do not fully tighten.
- 2) Adjust the position of the doors up and down to make them even then fix the hinge into position through the mounting hole (round hole).

# 9

