



MIMOSA®

Cordoba Charcoal Corner Lounge  
Installation Guide

The first part of the document discusses the importance of maintaining accurate records of all transactions. It emphasizes that every entry, no matter how small, should be recorded to ensure the integrity of the financial statements. This includes not only sales and purchases but also expenses, income, and transfers. The document also highlights the need for regular reconciliation of bank statements and the company's records to identify any discrepancies early on.

In addition, the document provides guidelines on how to handle complex transactions, such as those involving multiple parties or currencies. It stresses the importance of clear communication and documentation in these cases to avoid misunderstandings and ensure that all parties are accounted for in the records. The document also touches upon the legal requirements for record-keeping, including the retention period for financial records and the consequences of non-compliance.

Overall, the document serves as a comprehensive guide for anyone responsible for managing the financial records of a business. It provides practical advice and clear instructions to help ensure that all transactions are recorded accurately and in a timely manner, thereby supporting the overall financial health and transparency of the organization.

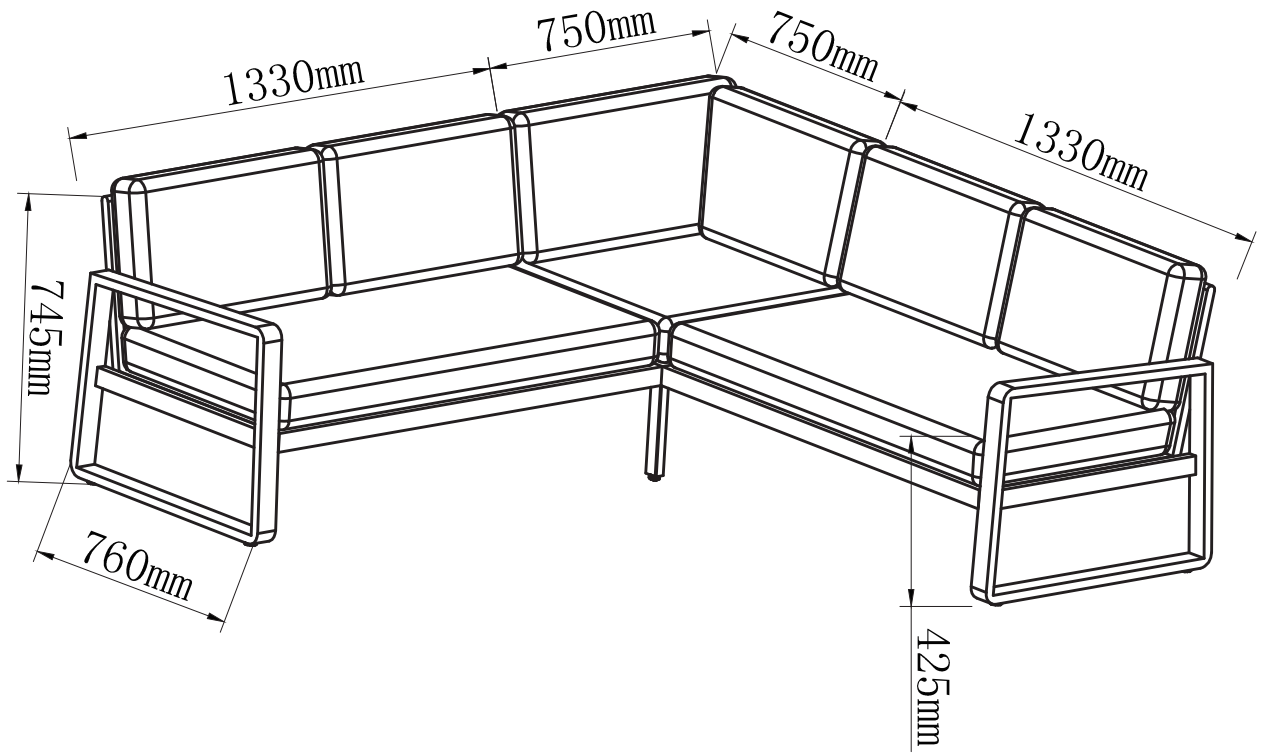
# Cordoba Charcoal Corner Lounge

**POWDER COATED ALUMINIUM FRAME**

**Polyester Padded Cushions - Grey**

**ITEM NO. : 0583717**

4.





**Please carefully read the below warnings and instructions.  
Save the instructions for future reference.**

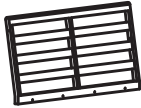

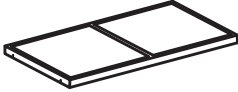




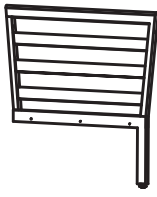

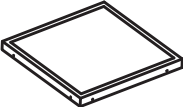
- Please carefully read all instructions before assembly and use.
- Please separate and identify all parts, ensuring that you have all parts listed.
- Assembly to be carried out by a competent adult.
- During assembly children should be kept away from the product due to possible risk of injury, small parts, and sharp fittings.
- Do NOT use power tools to assemble the product.
- Don't tight all the bolts before the product is fully assembled. Be careful not to over tighten the nuts during assembly.
- Please check the fixings are all tight monthly.

**Recommendation**

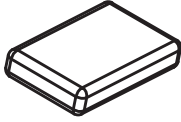
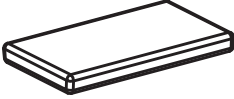
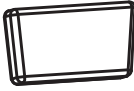


- It would be useful to ask someone to help you assemble the product.
- Retain these instructions for future reference.
- This product is not suitable for extreme weather conditions. Do NOT use in extreme weather condition such as thunderstorm, hailstone, heavy rain, high wind or heavy snow, etc. Warranty claims due to weather events won't be taken into account.
- This piece of furniture has been produced under the best possible conditions and care. However we advise you during constructing or breaking down of this piece of furniture to be aware of sharp metal.
- This product is designed for occasional use only. Do not use as a permanent structure. If no use for long time, dismantle and store safely to prevent any damage occurring.
- You must take into account that fabric may be discolored under the exposure of sunshine. This change is a natural cause, and it is not a factor for claim. It is recommended to replace the fabric every 1 or 2 years.
- To extend the life of your cushion, product should be stored in a dry and ventilated place when not in use and especially over the winter months or during rainy condition. If this is not possible, we advise you to always use a protective waterproof cover when not using the furniture.
- The maximum weight / load of this product is 240kg.
- Wipe clean with damp cloth only using detergent & lukewarm water.

6.












**Parts List:**

<b>Part No.</b>	<b>Pictures</b>	<b>Description</b>	<b>QTY</b>
A		Back frame for Left sofa	1
B		Back frame for Right sofa	1
C		Seat frame for Left sofa	1
D		Seat frame for Right sofa	1
E		Left Armrest	1
F		Right Armrest	1
G		Back frame for Corner sofa	1
H		Back frame for Corner sofa	1
J		Mid Leg	1
K		Seat frame for Corner sofa	1

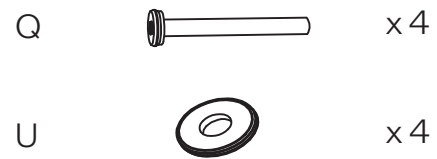
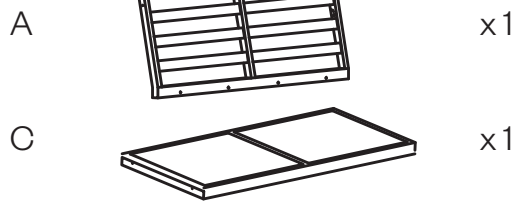
**Parts List:**

<b>Part No.</b>	<b>Pictures</b>	<b>Description</b>	<b>QTY</b>
L		Back cushion for Left/ Right sofa	4
M		Seat cushion for Left/ Right sofa	2
N		Back cushion for corner sofa	1
O		Back cushion for corner sofa	1
P		Seat cushion for corner sofa	1

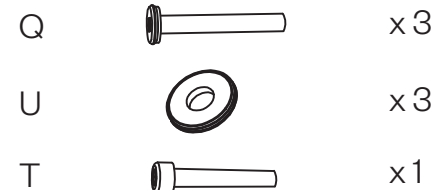
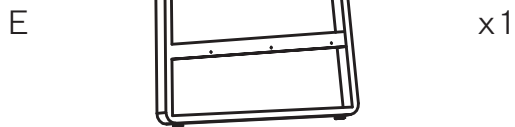
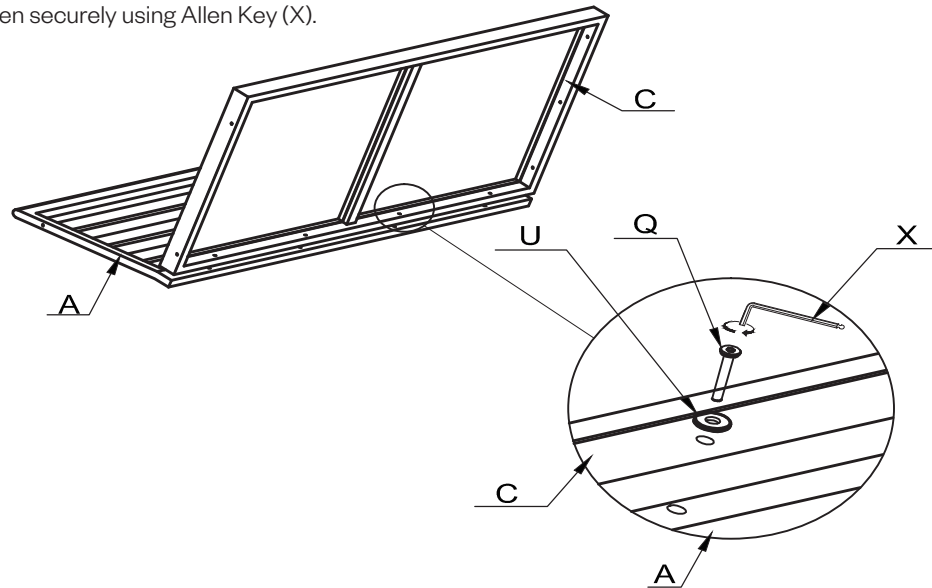
**Hardware Kit:**

<b>Part No.</b>	<b>Pictures</b>	<b>Description</b>	<b>QTY</b>
Q		Bolt M6 x 42 mm	20
R		Bolt M6 x 25 mm	2
S		Bolt M6 x 60 mm	4
T		Bolt M6 x 35 mm	5
U		Washer	30
V		Nut	4
W		Spanner	1
X		Allen Key	1
Y		Allen Key	1
Z		Cap	26
AA		Cap	4

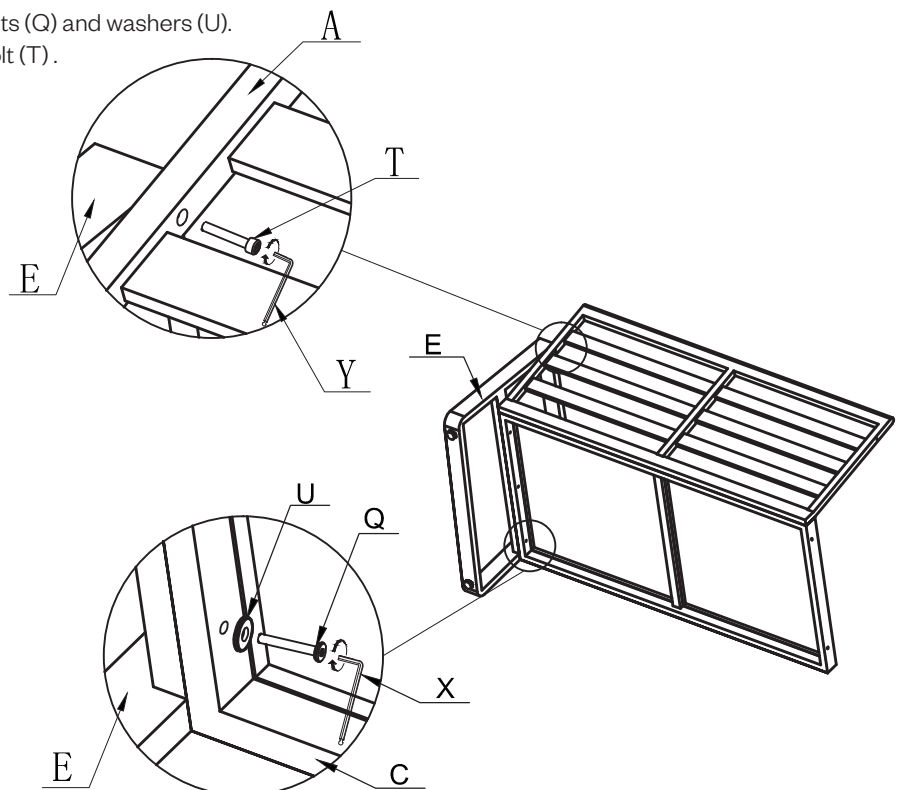


**Step 1:**

Fix the seat frame (C) to the back frame (A) with bolts (Q) and washers (U).  
Once all bolts are in position tighten securely using Allen Key (X).

**Step 2:**

Fix the seat frame (C) to left armrest (E) with bolts (Q) and washers (U).  
Fix the back frame (A) to left armrest (E) with bolt (T).  
Once all bolts are in position, tighten securely bolts (Q) using Allen Key (X), tighten securely bolt (T) using Allen Key (Y).



10.

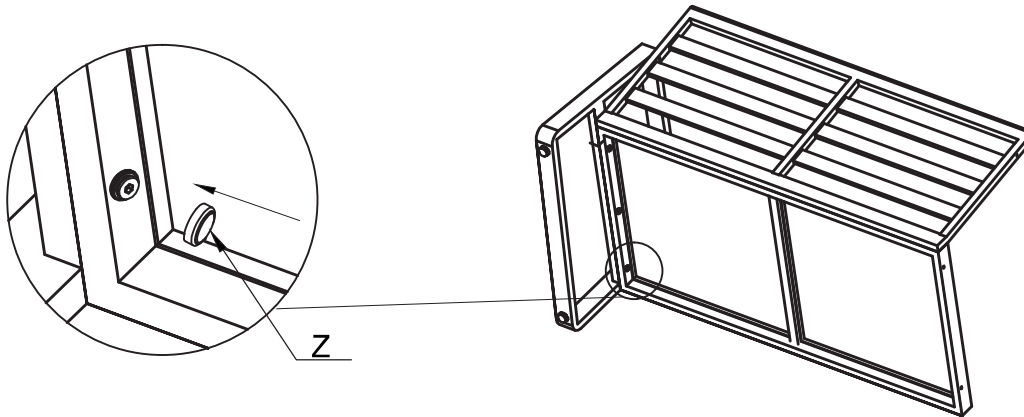
Z



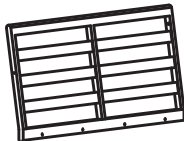
x7

**Step 3:**

Cover the bolts (Q) with caps (Z).



B



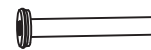
x1

D



x1

Q



x4

U

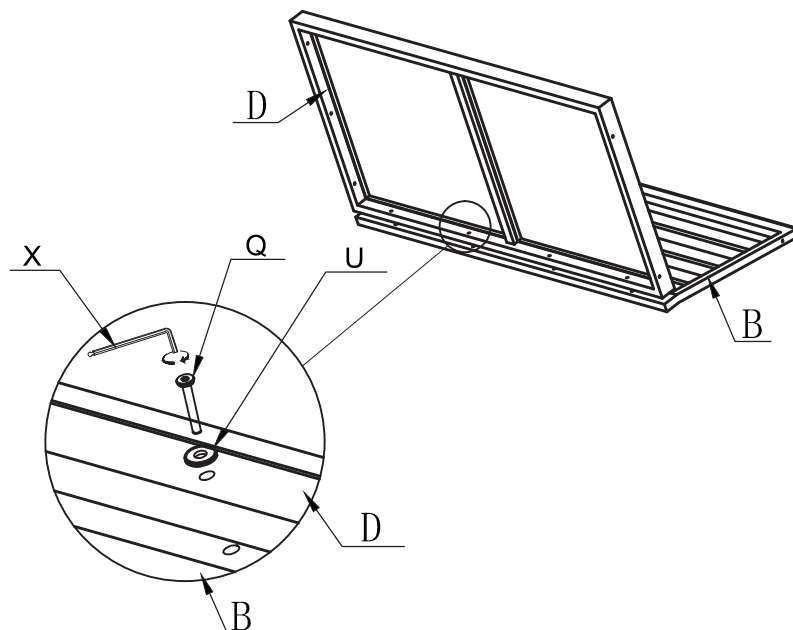


x4

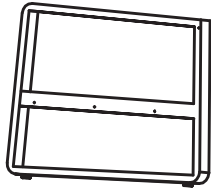
**Step 4:**

Fix the seat frame (D) to the back frame (B) with bolts (Q) and washers (U).

Once all bolts are in position tighten securely using Allen Key (X).

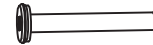


F



x1

Q



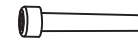
x3

U



x3

T



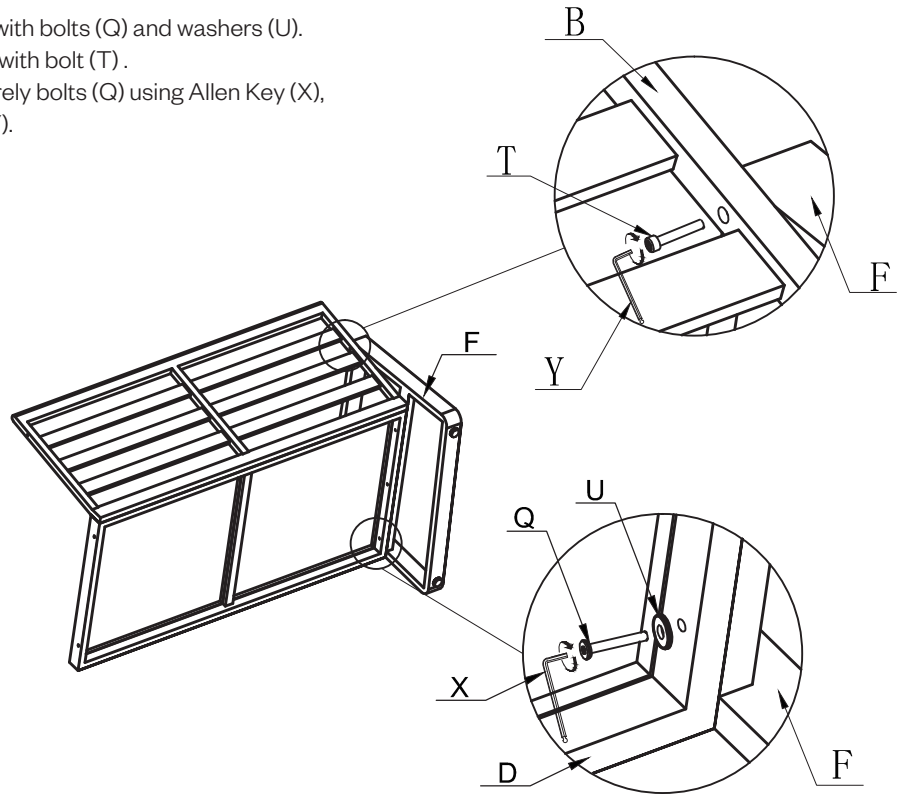
x1

**Step 5:**

Fix the seat frame (D) to right armrest (F) with bolts (Q) and washers (U).

Fix the back frame (B) to right armrest (F) with bolt (T).

Once all bolts are in position, tighten securely bolts (Q) using Allen Key (X),  
tighten securely bolt (T) using Allen Key (Y).



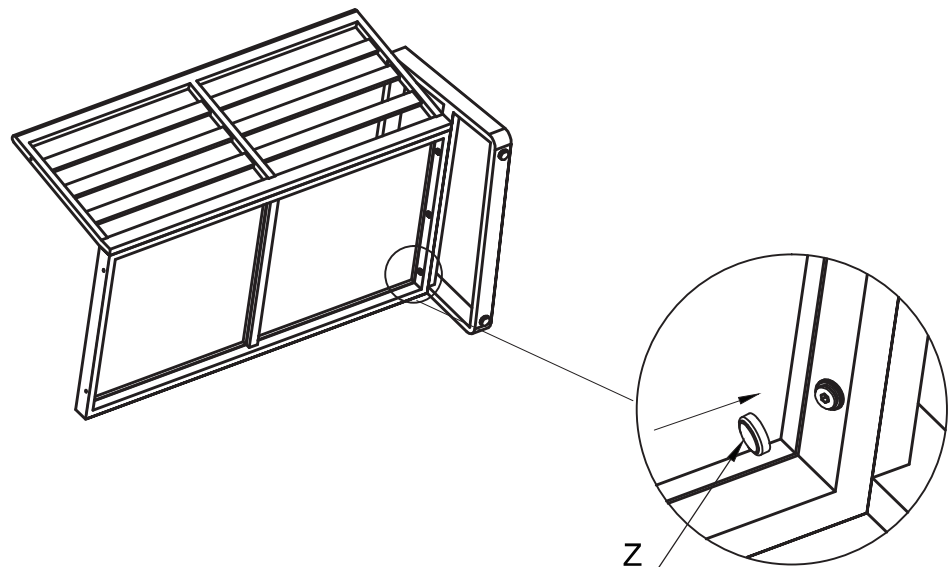
Z




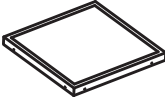


x7

**Step 6:**

Cover the bolts (Q) with caps (Z).

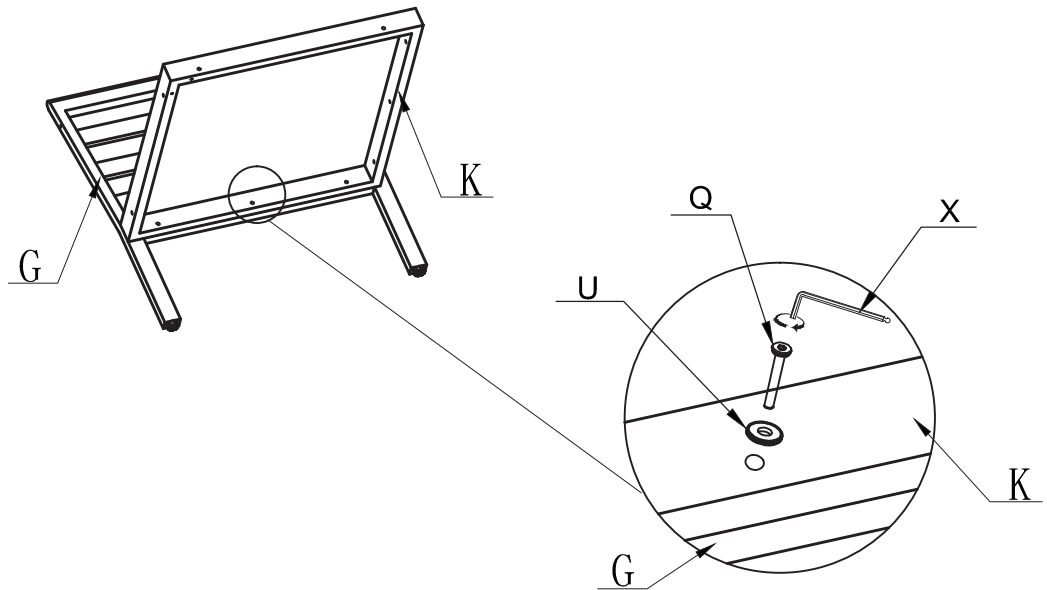


12.

<p>G</p>  <p>x1</p> <p>K</p>  <p>x1</p>	<p>Q</p>  <p>x3</p> <p>U</p>  <p>x3</p>
---	---

**Step 7:**

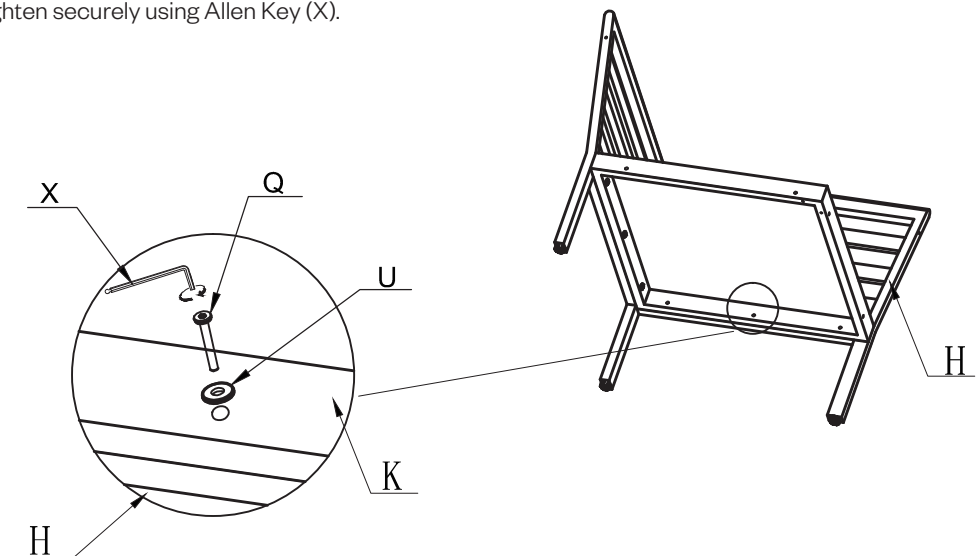
Fix the seat frame (K) to the back frame (G) with bolts (Q) and washers (U).  
Once all bolts are in position tighten securely using Allen Key (X).

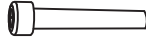


<p>H</p>  <p>x1</p>	<p>Q</p>  <p>x3</p> <p>U</p>  <p>x3</p>
--	---

**Step 8:**

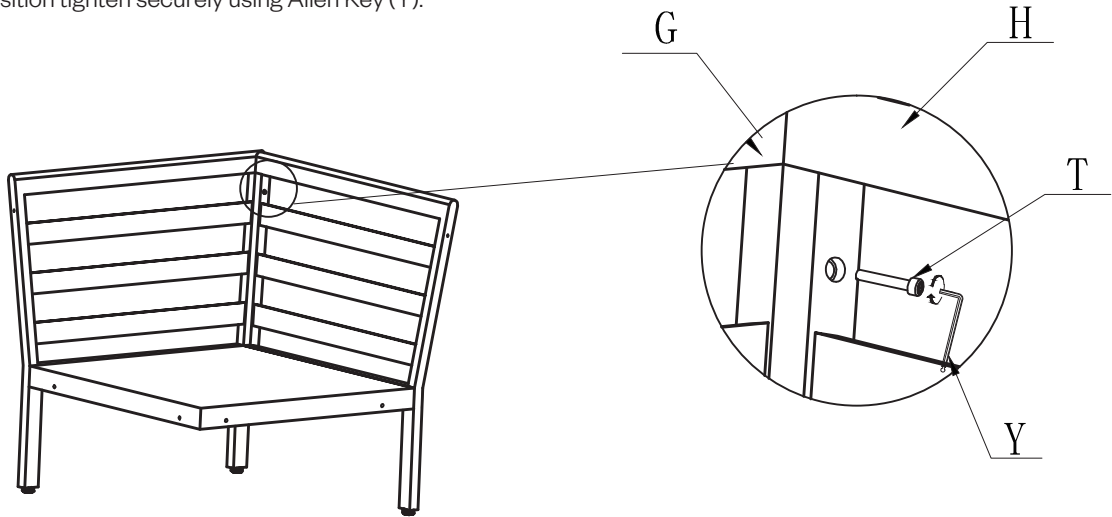
Fix the seat frame (K) to the back frame (H) with bolts (Q) and washers (U).  
Once all bolts are in position tighten securely using Allen Key (X).



T  x1

**Step 9:**

Fix the back frame (H) to the back frame (G) with bolt (T) .  
Once bolt is in position tighten securely using Allen Key (Y).



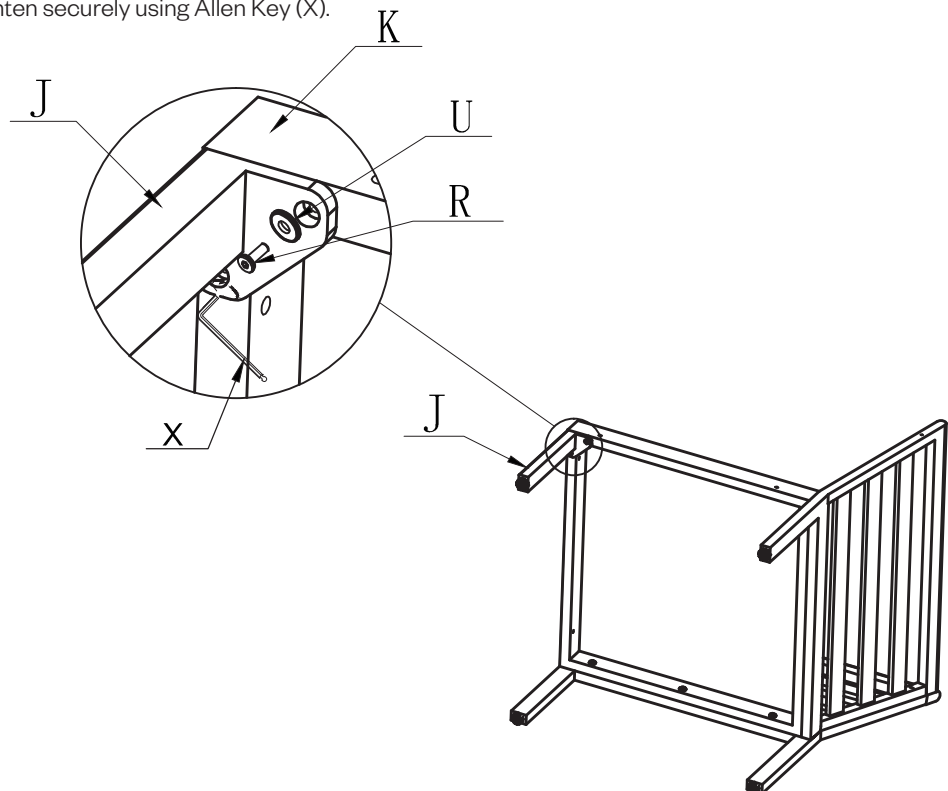
J  x1

R  x2

U  x2

**Step 10:**

Fix the mid leg (J) to the seat frame (K) with bolts (R) and washers (U) .  
Once all bolts are in position tighten securely using Allen Key (X).



14.

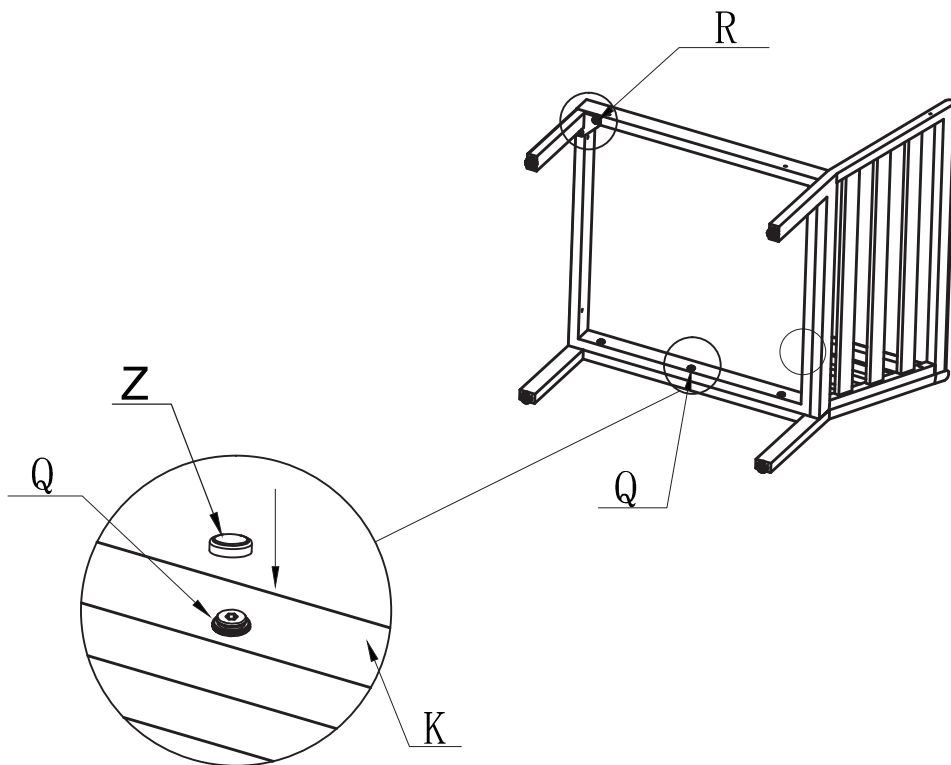
Z



x8

**Step 11:**

Cover the bolts (Q) with caps (Z).



V



x2

U



x4

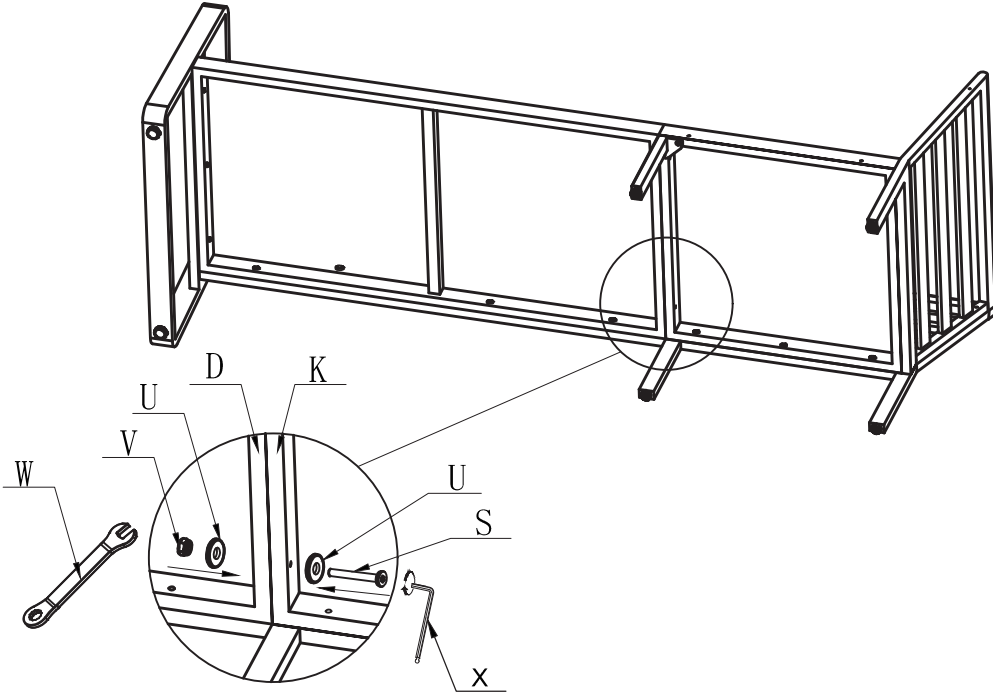
S



x2

**Step 12:**

Fix the seat frame (K) to the seat frame (D) with bolts (S), nuts (V) and washers (U).  
Once all bolts and nuts are in position tighten securely using Allen Key (X) and spanner (W).



Z



x2

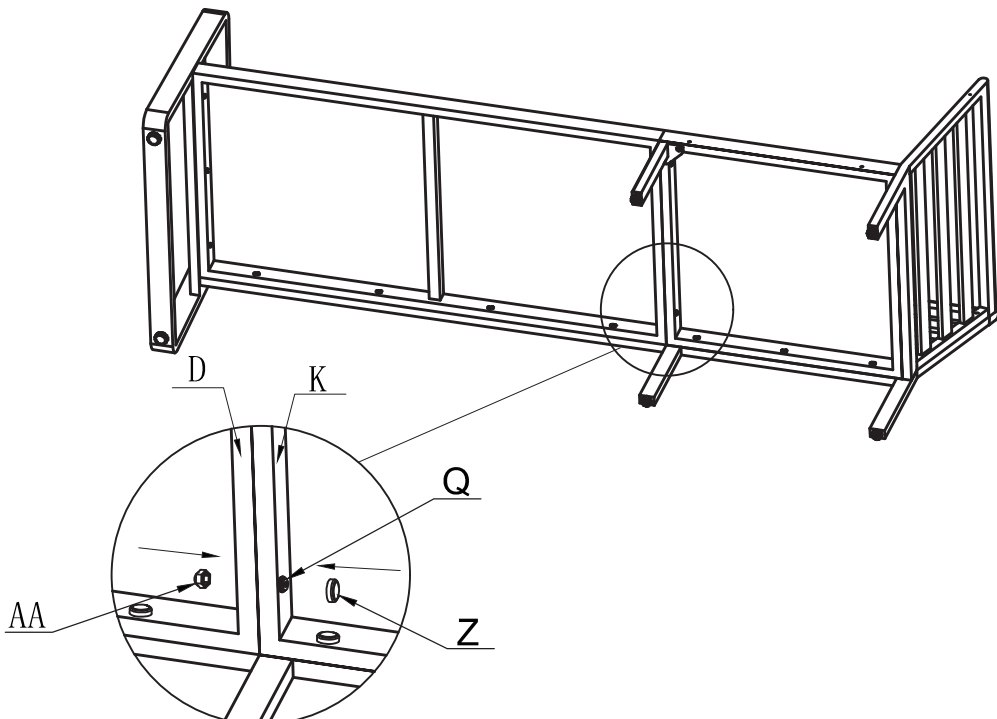
AA



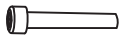
x2

**Step 13:**

Cover the bolts (Q) with caps (Z), cover the nuts (V) with caps (AA).

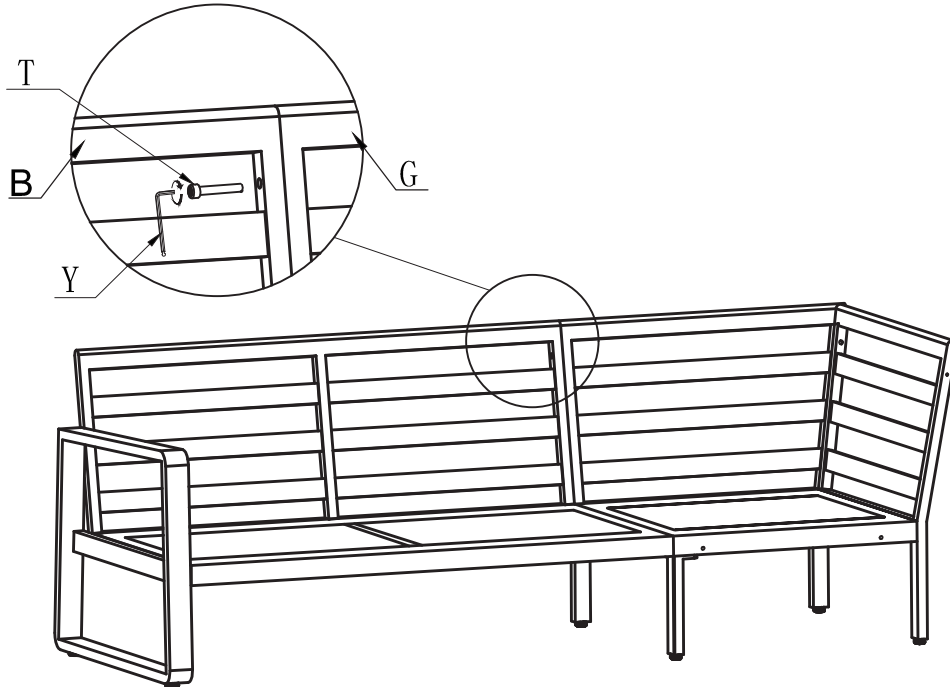


16.

T  x1

**Step 14:**

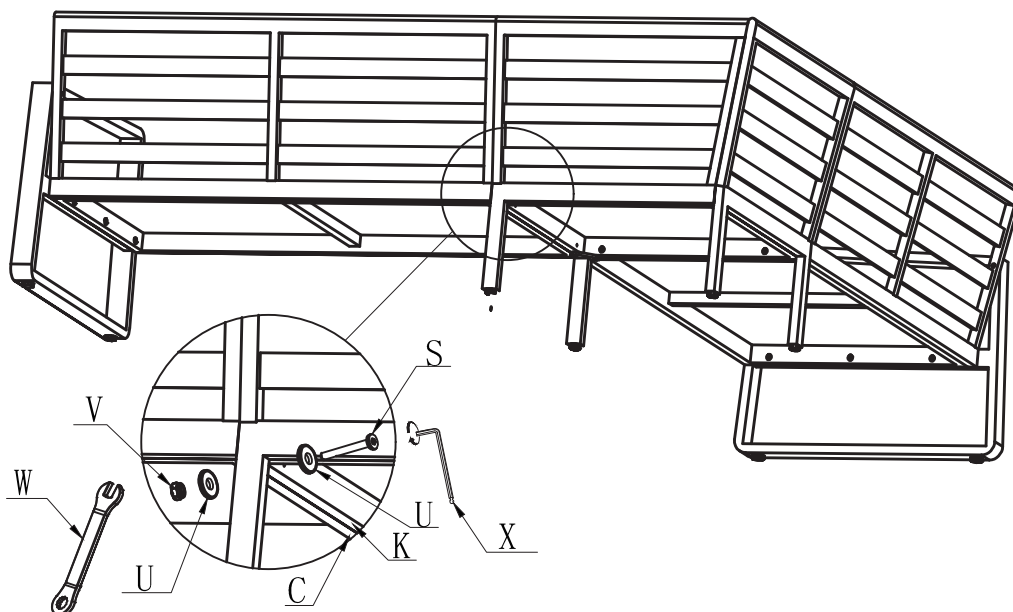
Fix the back frame (B) to the back frame (G) with bolt (T) .  
Once bolt is in position tighten securely using Allen Key (Y) .



V  x2    U  x4    S  x2

**Step 15:**

Fix the seat frame (K) to the seat frame (C) with bolts (S) , nuts (V) and washers (U) .  
Once all bolts and nuts are in position tighten securely using Allen Key (X) and spanner (W) .



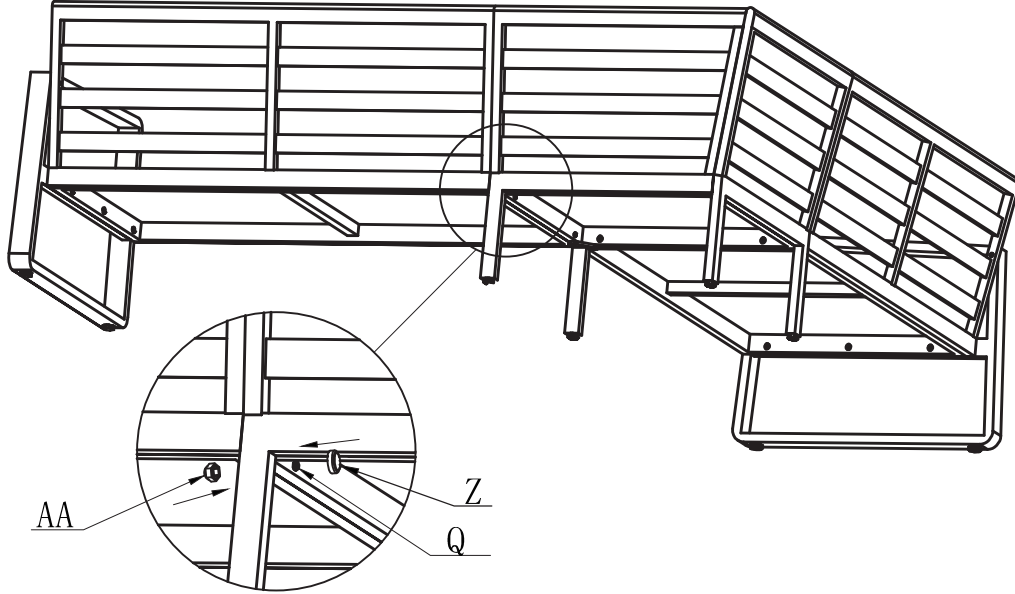


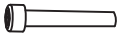
Z  x2

AA  x2

**Step 16:**

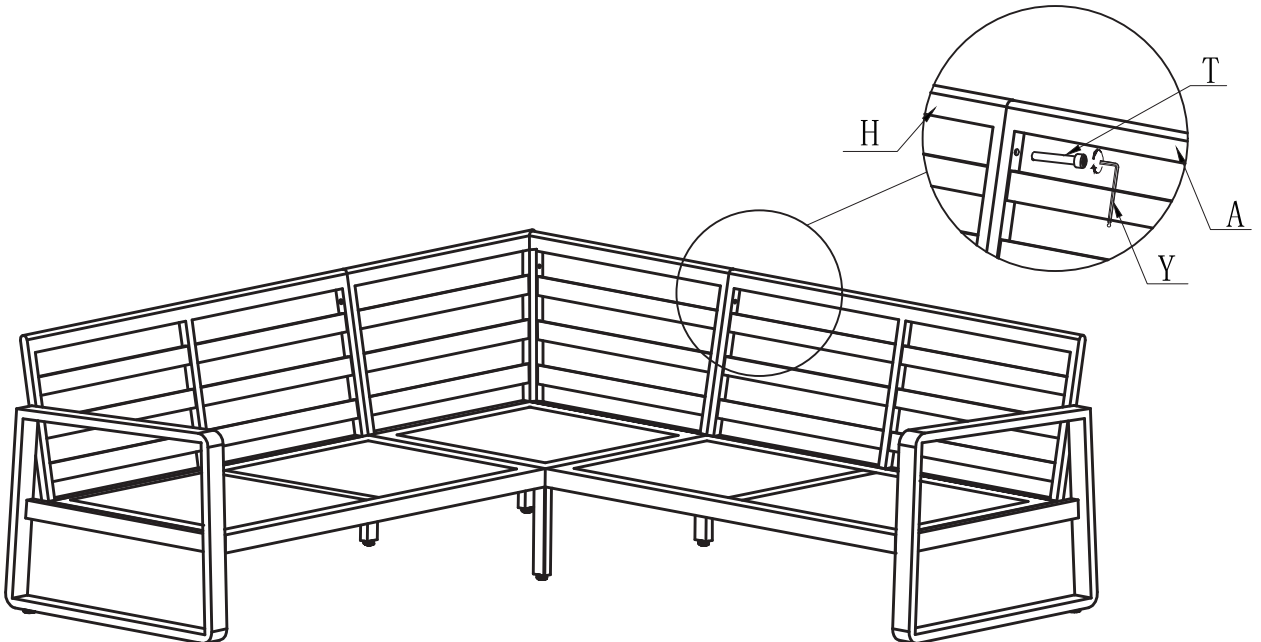
Cover the bolts (Q) with caps (Z), cover the nuts (V) with caps (AA).



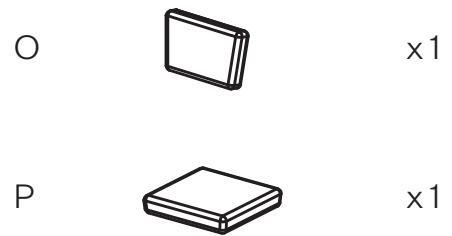
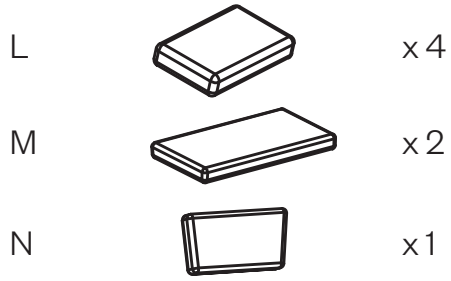
T  x1

**Step 17:**

Fix the back frame (A) to the back frame (H) with bolt (T).  
Once bolt is in position tighten securely using Allen Key (Y).

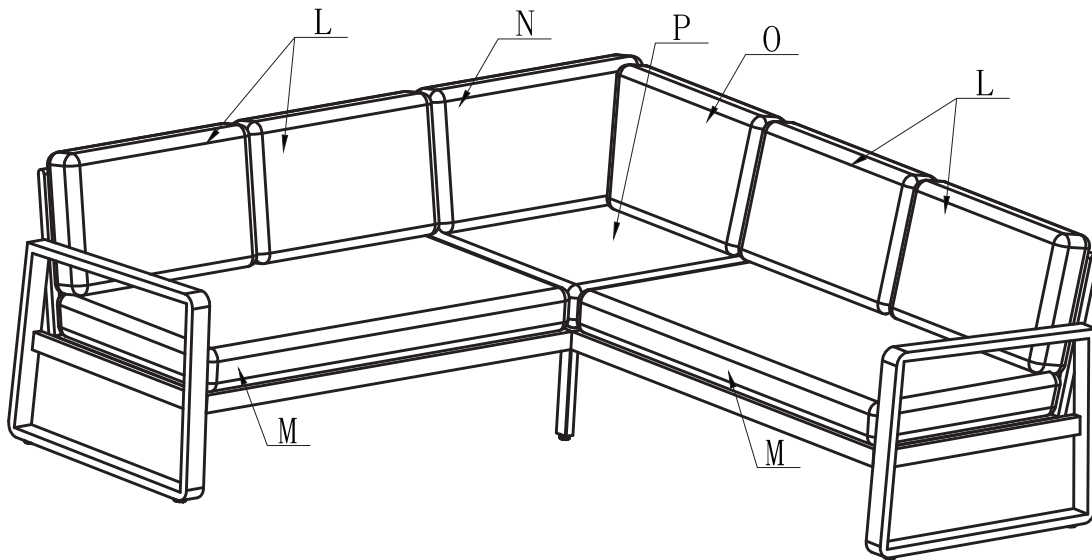


18.



**Step 18:**

Put the seat cushions (M) and back cushions (L) on the left/right sofa.  
Put the seat cushion (P) and back cushions (N, O) on the corner sofa.



Corner lounge set is now ready for use.

