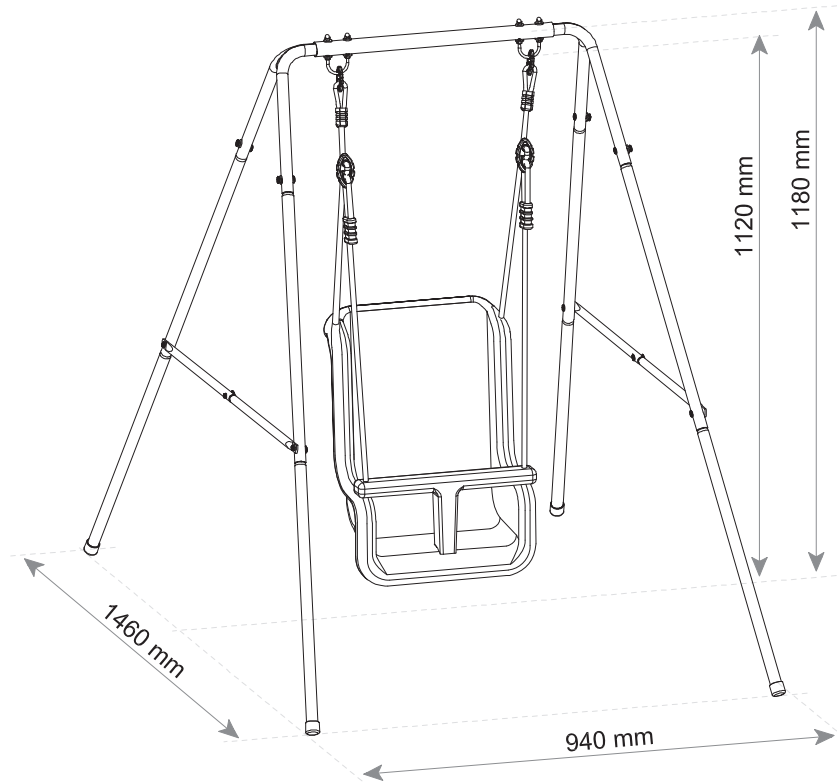


WARNING!

Please retain this information for future reference.
For outdoor and indoor family domestic use only.
For children aged between 6 and 36 months (25Kg max).
It must be used under adult supervision.
Do not modify the composition of the swing elements.
The product must not be modified to avoid a risk of serious injury.
Keep the additional components, they may be useful for later operation of maintenance.



Warning: Maximum fall heights is 1120mm



WARNING.
FOR DOMESTIC
AND OUTDOOR
USE ONLY



Let us help you
Scan QR code for
Installation video and
view on our website
swingslideclimb.com.au/how-to/

Baby Swing Set



Powder Coated
Steel



UV Stabilised

6-36

Months



WARNING. ONLY FOR DOMESTIC OUTDOOR USE.
THIS PLAYSET SATISFIES ALL THE REQUIREMENTS OF THE AUSTRALIAN STANDARD AS/NZS ISO 8124 AND
HAS BEEN CERTIFIED BY AN INDEPENDENT LABORATORY. TO GUARANTEE SAFETY, PLEASE GIVE SPECIAL
ATTENTION TO THE ASSEMBLY, SAFETY AND CARE INSTRUCTIONS DETAILED IN THIS DOCUMENT.

Consumer information sheet for playground surfacing materials

The US Consumer Product Safety Commission (CPSC) estimates that about 100,000 playground equipment-related injuries resulting from falls to the ground surface are treated annually in US hospital emergency rooms. Injuries involving this hazard pattern tend to be among the most serious of all playground injuries, and have the potential to be fatal, particularly when the injury is to the head. The surface under and around playground equipment can be a major factor in determining the injury-causing potential of a fall. It is self-evident that a fall on to a shock-absorbing surface is less likely to cause a serious injury than a fall on to a hard surface. Playground equipment should never be placed on hard surfaces, such as concrete or asphalt, and while grass may appear to be acceptable, it may quickly turn to hard-packed earth in areas of high traffic. Shredded bark mulch, wood chips, fine sand or fine gravel are considered to be acceptable shock absorbing surfaces when installed and maintained at a sufficient depth under and around playground equipment.

Table B.1 lists the maximum height from which a child would not be expected to sustain a life-threatening head injury in a fall on to four different loose-fill surfacing materials if they are installed and maintained at depths of 150 mm, 225 mm and 300 mm.

Table B.1---Fall height in millimeters from which a life-threatening head injury would not be expected

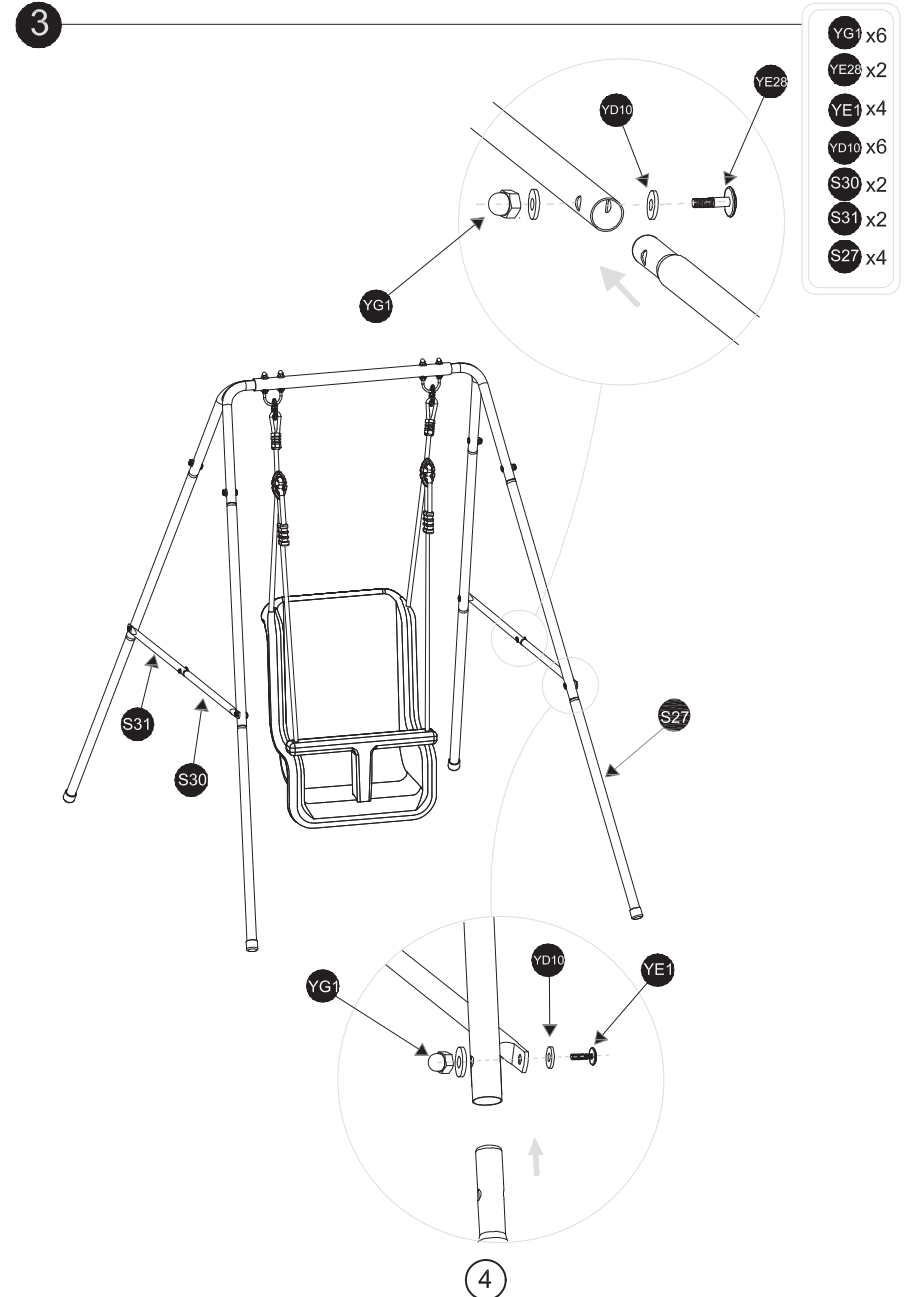
Type of material	Depth of surfacing material		
	150mm	225mm	300mm
Double shredded bark mulch	1800	3000	3300
Wood chips	1800	2100	3600
Fine sand	1500	1500	2700
Fine gravel	1800	2100	3000

However, it should be recognised that all injuries due to falls cannot be prevented, no matter what surfacing material is used.

It is recommended that a shock absorbing material extend a minimum of 1 800 mm in all directions from the perimeter of stationary equipment such as climbing frames and slides. However, because children may deliberately jump from a moving swing, the shock absorbing material should extend in the front and rear of a swing a minimum distance of twice the height of the pivot point measured from a point directly beneath the pivot on the supporting structure.

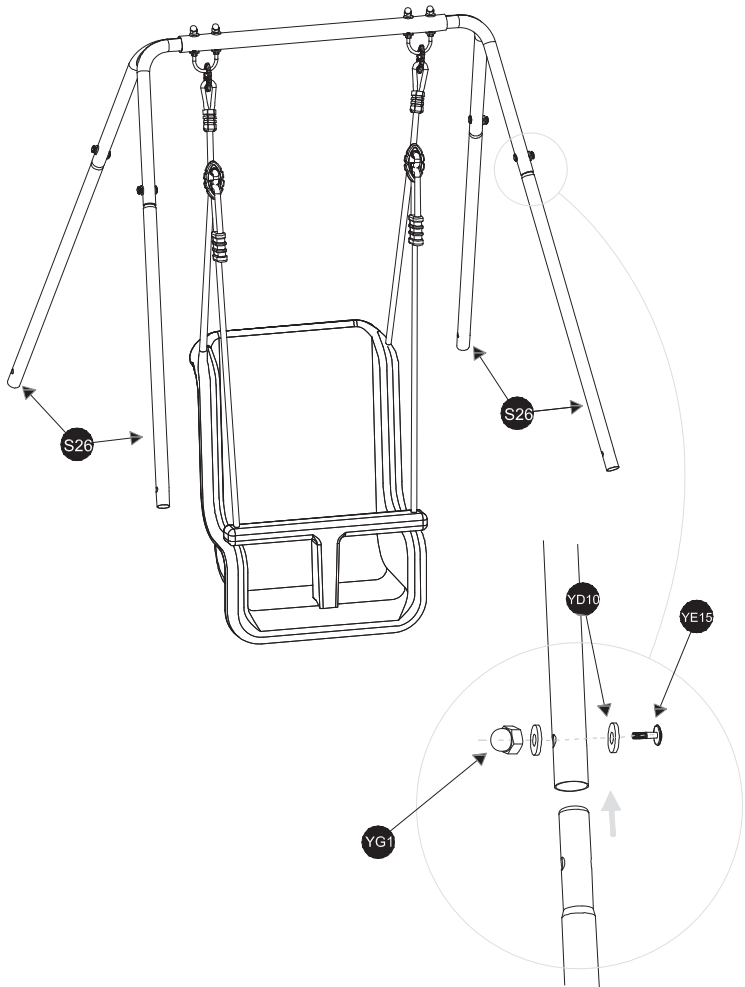
This information is intended to assist in comparing the relative shock-absorbing properties of various materials. No particular material is recommended over another. However, each material is only effective when properly maintained. Materials should be checked periodically and replenished to maintain correct depth as determined necessary for the equipment in question. The choice of a material depends on the type and height of the playground equipment, the availability of the material in a particular area, and its cost.

This information has been extracted from the CPSC publications "Playground Surfacing — Technical Information Guide" and "Handbook for Public Playground Safety".



2

-  S26 x4
-  YG1 x4
-  YE15 x4
-  YD10 x4



3

ASSEMBLY ADVICE

- Follow the instructions exactly.
 - This product must be assembled by an adult.
 - Once assembly has been completed, keep the instructions in a safe place for future reference. This can be particularly handy for identification of parts if any after sales service is required.
 - Before commencing assembly, check that none of the parts are missing. If you find that you are missing a part please contact our after sales service department.
 - Retain extra parts to use as spares in the future if necessary.
- The dimensions given in the instructions are indicative only, they may vary according to the assembly method.

SAFETY ADVICE

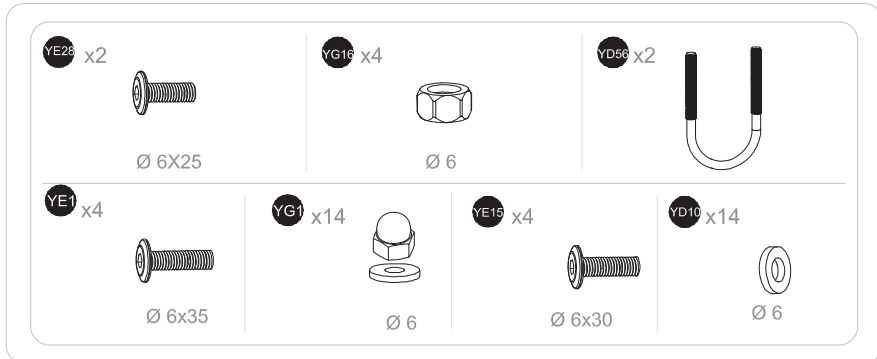
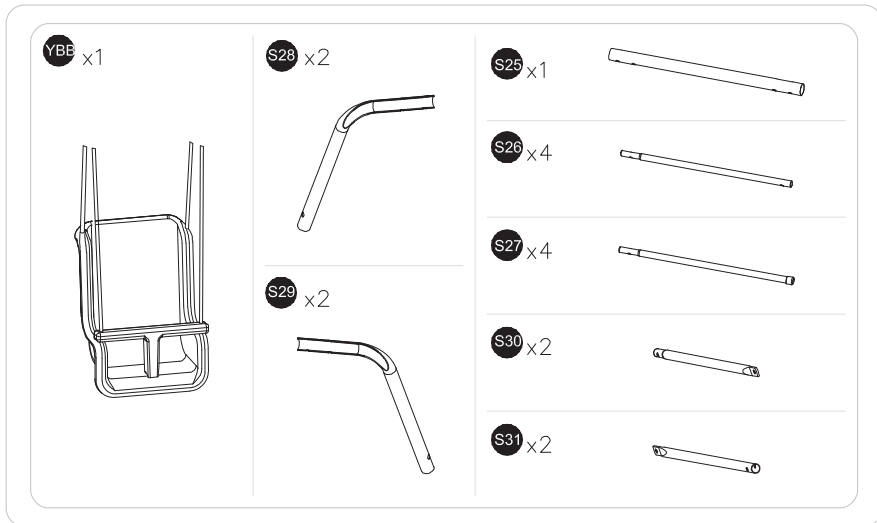
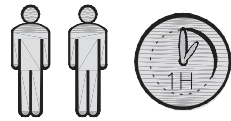
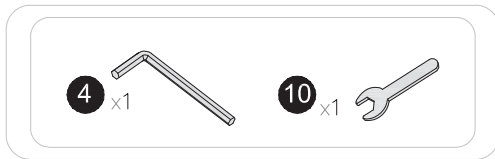
- As per legal requirements, there must be a 20cm minimal distance between the ground and the swing. This distance is important for safety. The distance between the swing seat and the ground can be adjusted using the height adjustment hooks.
- Warning: This product is only to be used by children between the ages of 6 to 36 months
- Warning: Not to be used by anyone weighing over 25kgs.
- Warning: Choking hazard-small parts can be dangerous for children .
- This product is for private use at home only. Under no circumstances is it to be used in parks, schools, camp sites, hotels, public leisure areas etc.
- The swing set should be set up on a flat surface and 2 metres away from any structures or obstacles (walls, fences, trees, washing lines, cables etc).
- To avoid damage to your baby's eyes, we advise that the swing should not be setup directly facing the sun.
- The swing set should be installed over impact absorbing surfaces such as sand, wood-bark chips, rubber and foam and must NOT be set up on a hard surface (concrete, tarmac etc). detail surfacing materials please refer attached consumer information sheet.
- Dispose of packaging thoughtfully.
- Do not allow children to play with packaging.
- Please see below diagram for maximum fall height of swing.

MAINTENANCE

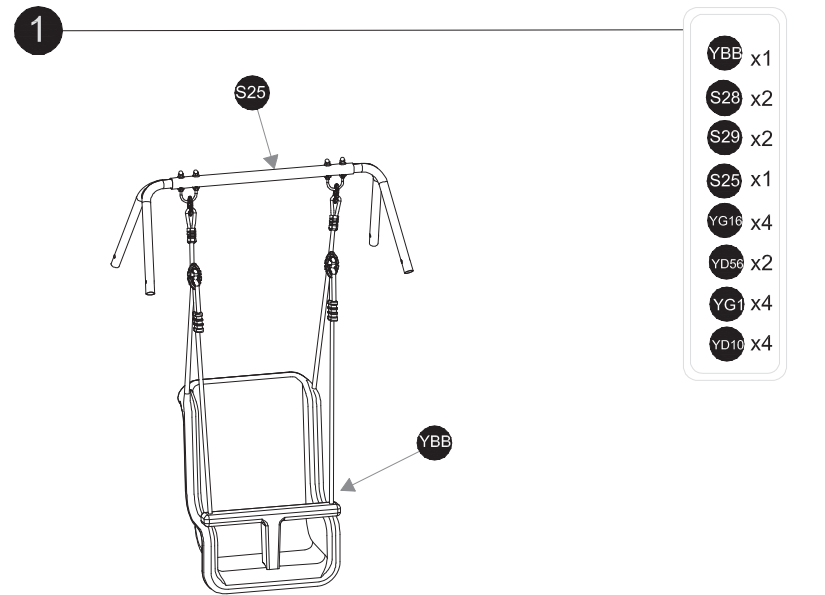
- All parts should be checked at least once a month.
- Check all nuts and bolts for tightness and tighten when required.
- Check for signs of wear to bolt coverings. If sharp edges are found, replace as required.
- If the hooks on the over head beam show wear over 10% of the initial thickness, they should be replaced by exactly the same fixtures as were originally provided.
- All parts that are under constant friction should be oiled regularly using a suitable lubricant.
- The ground on which the play centre is set up should be cleared regularly. All objects such as stones or anything else that could cause injury in the case of a fall should be removed.
- It is recommended that during the winter period when the equipment is not in use, all apparatus are removed to prevent deterioration due to bad weather.
- Make regular checks on the area where the rope joins the swing seat. If the hole shows sign of wear, the swing seat should be replaced immediately. check swing seats, chains, ropes and other means of attachments for evidence of deterioration.
- Sand rusted areas and tubular members and repaint using a non-lead based paint when required -
- Modifications to the original activity toy should only be carried out under instructions from the manufacturer.
- Defective parts should only be replaced in accordance with the manufacturer's instructions.

If the swing set develops a squeak apply a suitable gel lubricant. Do not use liquid lubricant as it will run down the fixings and apparatus. The height of the swing can be adjusted using the plastic eyelet fixture. By pulling the rope through the fixture, the height of the seat can be adjusted to suit the user.

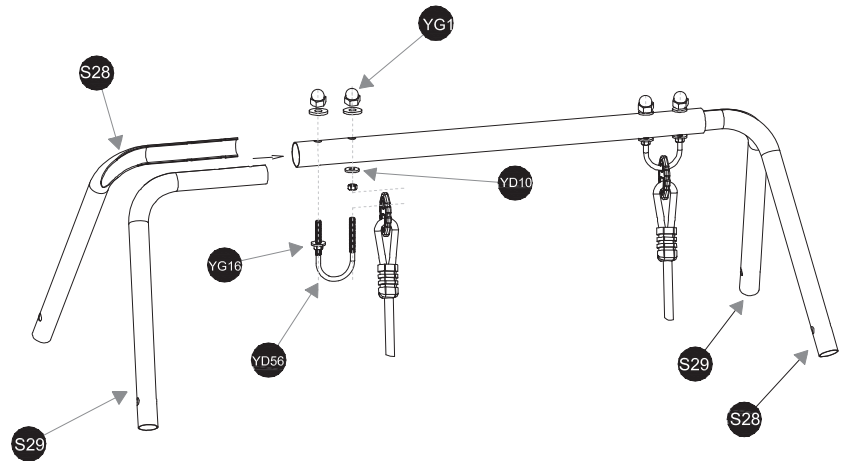
We hope you have a safe and enjoyable time using the swing.



1



- YBB x1
- S28 x2
- S29 x2
- S25 x1
- YG16 x4
- YD56 x2
- YG1 x4
- YD10 x4



2