

AURUS DUAL

LOW SMOKE FIRE PIT

Assembly, Safety & Operating Instructions



FOR OUTDOOR USE ONLY

READ INSTRUCTIONS CAREFULLY BEFORE ASSEMBLY OR USE
KEEP INSTRUCTIONS IN A SAFE PLACE FOR FUTURE REFERENCE



IMPORTANT

Before you assemble, install, place or use this product for the first time, read and follow the supplied instructions and safety warnings. This is to prevent the potential of fire, personal injury or death or property damage as a result of improper usage. Improper installation, placement, adjustment, alteration, service or maintenance may cause property damage, injury or death.

IMPORTANT

- During first use, you may notice a smell and excess smoke caused by paint burn off.
- Your fire pit is warranted for 1 year for manufacturing defects and construction.
- Due to the nature of the fire pit, the paint will burn off over time, and the body may result in surface rust. The body can be restored and repainted as required. Refer to care and maintenance section of this manual.

GENERAL SAFETY TIPS

- Always wear fire proof gloves when handling the fire pit and fuel.
- Place your fire pit on a non combustible surface. To prevent accidental combustion or damage, do not place on unprotected decks, tiles, pavers, concrete, grass, synthetic grass, wood chips or leaves.
- For surfaces such as decks, tiles, pavers, and concrete, it is recommended to use a fire resistant mat which may be purchased from your nearest retailer.
- Ensure the fire pit is placed on an even, level surface, not on a sloping surface.
- Position your fire pit away from any building structures (house, pergola, garage, shed, trees, furniture).
- Check the weather forecast before using the fire pit. Do not use your fire pit during high winds.
- Never leave the fire pit unattended while in use. Monitor any children or pet activities around the fire pit at all times.
- Do not move the fire pit while it is operating or hot.
- Never use petrol or other liquid fuels to start a fire, re-start a fire or, enhance a fire. Never, ever pour any liquid fuel onto a fire that is already alight.
- Make sure that the fire is completely extinguished before you leave the fire pit unattended.
- Do not disassemble or modify the fire pit in any manner other than as described within these instructions. Improper installation, adjustment, alteration, service or maintenance may cause injury, death or property damage. This appliance must be operated in accordance with the instructions provided. Failure to observe these instructions may lead to a fire resulting in personal injury or death or property damage.
- Installation clearance requirements must be adhered to. Please read the section on installation clearances before installing or placing this fire pit.
- Keep any combustible materials (such as unprotected decks, furniture), at least 1.5 metres away from the fire pit.
- To prevent accidental fire and / or smoke damage, remove all packaging before operating.
- Avoid installing or operating the fire pit, where a direct draft may affect or fan the flames.
- Do not cover or surround the fire pit with insulating materials.
- Never cook over high flames. Allow fire to die down before cooking.

OPERATING SAFETY

- Do not operate this fire pit during a total fire ban. Always observe any local or state codes or warning issued by the local fire department.
- While the fire pit is operating or hot, do not touch the main heating surface (fire bowl) or immediate surroundings as these areas may cause burns.
- Do not use the fire pit for any purpose other than its intended use.
- This fire pit is designed for use with fire wood and kindling only. Do not use any other fuel.
- This fire pit must not be used in conjunction with a gas log set or other fuel system - under no circumstances is this fire pit to be modified or retrofitted to burn any fuel other than what is described in these instructions.
- Do not leave the fire pit unattended while in use.
- Do not heat any unopened plastic, glass or metal containers on the fire pit. Pressure may build up and cause the container to burst, possibly resulting in serious personal injury or damage to the fire pit.
- Never move the fire pit when it is operating or hot.
- Do not use the fire pit as an incinerator - do not burn waste materials such as paper, plastics or garbage in this fire pit.
- Do not use this fire pit while under the influence of alcohol, prescription or non-prescription drugs or, any substance that may impair sound judgment.
- Do not extinguish the fire with cold water - this may damage the fire pit. Always use sand or, allow the fire to burn itself out naturally.

- Use fire proof gloves and tools to load and manage the fire - never use your bare hands.
- Do not overfill the fire bowl - always observe any maximum fuel load recommendations.
- Do not allow wood to spill over onto the body or other decorative elements of the fire pit. All fuel must be burnt within the confines of the fire bowl.
- Avoid loose clothing while operating the fire pit.

FUEL HANDLING SAFETY

- Store wood fuel in a cool dry place - away from the possibility of sparks or embers.
- Keep fuels and fire-starters away from children and animals.
- Do not place any flammable liquid or gas fuels or fuel containers within 10 metres around the fire pit and always ensure that any fuel containers or cylinders nearby are sealed to prevent escaping vapour.

CHILD AND PET SAFETY

- Never let children operate the fire pit without close supervision.
- Fire pits and chimineas contain hot working surfaces that, if touched, may cause skin burns or scalding.
- Never leave children or pets unattended in the area where the fire pit is being used.
- Fireplace surfaces are hot during use. Close supervision of children is necessary when this appliance is operating. Do not store items of interest to children on, around or below the fire pit. Children climbing on the fire pit, to reach items, could damage the fire pit or be burned or seriously injured.
- Never allow children to sit or stand on any part of the fire pit.
- Always allow hot fire tools and accessories to cool in a safe place, out of reach of children.
- We recommend the use of a fire screen or guard to prevent children or pets from coming into direct contact with the surfaces of the fire pit while it is in use or hot.

MAINTENANCE AND REPAIR SAFETY

- Always check the fire pit and bowl prior to each use - do not use the fire pit or bowl if there is a fault.
- Unless specifically recommended in this manual, do not repair or replace any part of the appliance.
- Only use genuine replacement parts.
- Any repairs to this product must be carried out by a qualified service person.
- Do not attempt to repair this product yourself.
- Do not operate the product if it has been dropped or damaged in any manner. Call our customer service number for information on examination or mechanical repair or adjustment of this product.

IN CASE OF ACCIDENTAL FIRE

- In the event of an accidental fire, immediately turn the fire pit off by smothering the flames with sand or a fire extinguisher.
- For emergency purposes, we recommend the installation of an approved fire extinguisher in the vicinity of where the fire pit is installed.



Minimum Clearances To Combustibles

Above the fire pit:

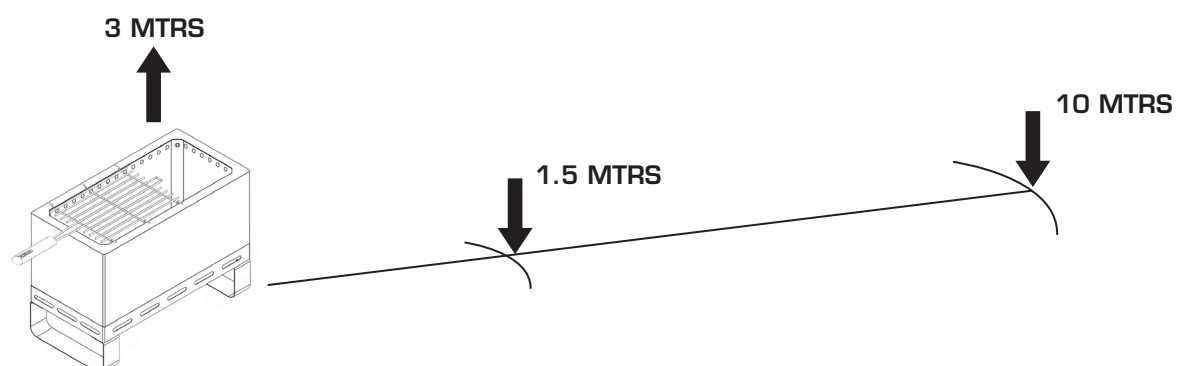
Minimum of 3 Metres to combustible materials. Do not use the fire pit under an awning or pergola if there is a risk of the structure or materials igniting.

Around the fire pit:

Minimum of 1.5 Metres to combustible materials.

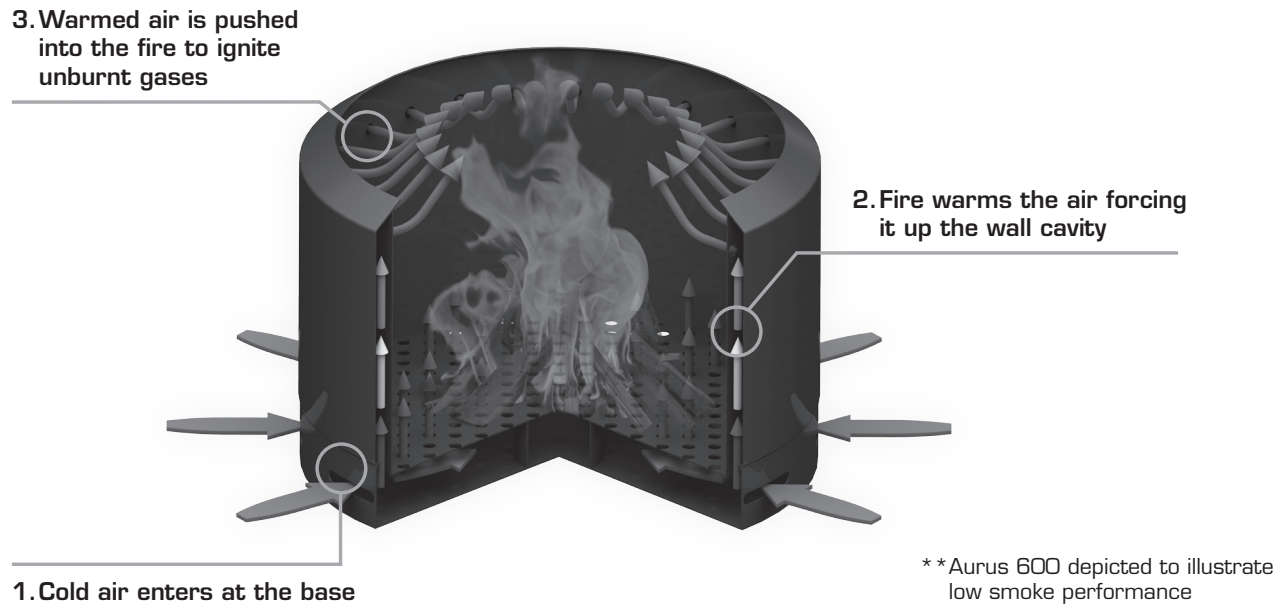
Liquid or Gas Fuels

Minimum of 10 Metres - Do not store any liquid or gas fuels, cylinders or containers in the vicinity of the fire pit. Ensure all fuel containers are sealed tight to prevent escaping vapours.



HOW YOUR LOW SMOKE FIRE PIT IS DESIGNED TO WORK

- The Aurus Dual Fire Pit has been designed with a dual wall, which creates a secondary burn reducing the amount of smoke that is emitted by up to 50%*.
- As depicted in the diagram below, the Low Smoke Fire Pit works by air supply entering the fire pit through the slotted holes in the base. The secondary air flows up through the wall cavity, is heated and exits through the top holes. Top holes allow for the hot oxygen to enter the pit, mix with the rising smoke and create a secondary burn.



- The dual wall airflow will take about 10-20 minutes to achieve a secondary burn.
- During the first burn, you may notice a smell and excess amounts of smoke as the excess paint and residue from production burns off.

NOTE

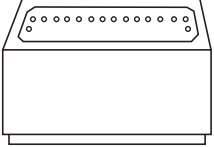
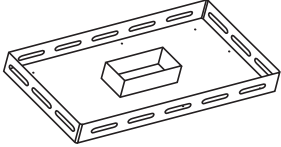
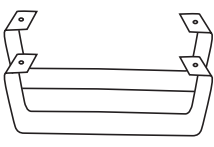
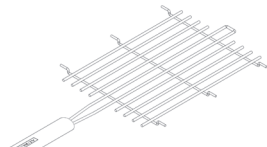
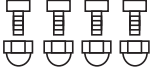

- The Aurus Dual Fire Pit is designed to produce 50% less smoke* compared to a fire pit of a similar size.
- The Aurus Dual Fire Pit will produce a cleaner burn than a standard fire pit, however due to the nature of the product, smoke will still be emitted from the fire pit.
- The secondary burn function will be more effective when burning larger fires.

* Produces up to 50% less smoke than a standard fire pit of a similar size

UNPACKING YOUR FIRE PIT

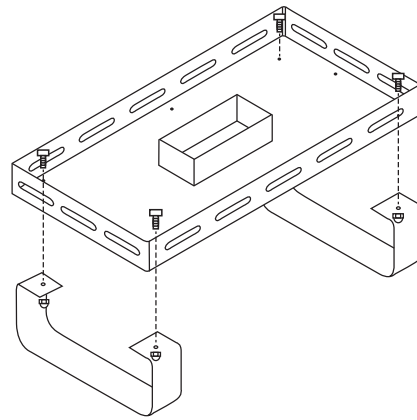
- Ensure carton is in the upright position before attempting to remove the fire pit and components.
- Due to the weight - it is recommended that two people lift the fire pit components from the carton.
- Lay carton on a level surface, place a sheet or blanket on the ground to protect the surfaces of the fire pit when handling and unpacking.
- Carefully remove fire pit components from carton - ensure all components are located before disposing of packaging.
- Remove all packaging materials from the product prior to first use.

PARTS LIST

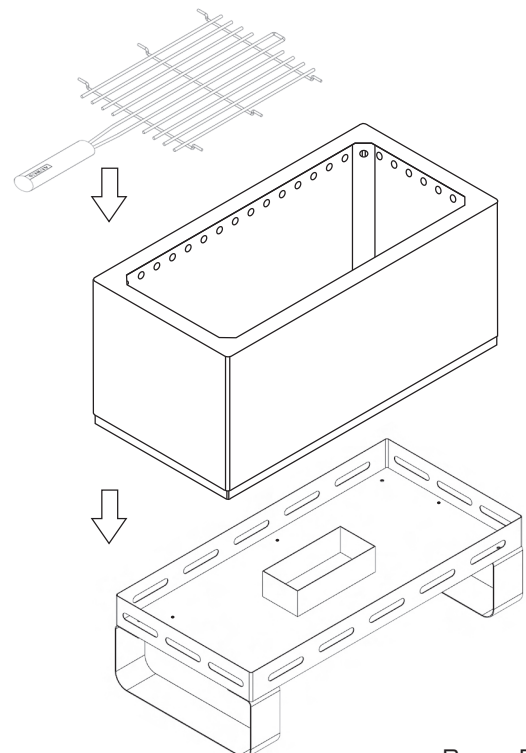
 1. Metal Bowl	 2. Tray	 3. Leg	 4. Cooking Grate
 5. Bolt Sets	 6. Allen Key		

ASSEMBLY

STEP 1. Lay Legs on the floor with holes facing up. Place Tray on Legs, making sure the holes are correctly aligned. Use Bolt Sets to secure with the Allen Key. At this stage, do not overtighten the bolts.



STEP 2. Position Metal Bowl over assembled base and gently place onto base, ensuring all four corners are securely fitted. Additionally, the Cooking Grate can be rested on top of Metal Bowl during use.



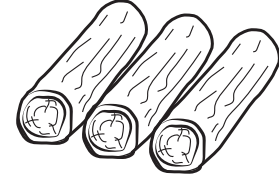
USING YOUR FIRE PIT

IMPORTANT: BEFORE ASSEMBLING OR USING YOUR FIRE PIT FOR THE FIRST TIME

- Always position your fire pit on a firm and level surface.
- Follow all operating and safety instructions in this manual prior to using your fire pit for the first time and subsequent uses.

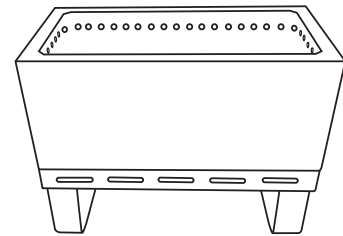
IMPORTANT - FUEL TYPE AND LOADING

- This fire pit is designed to burn wood only.
- Do not burn coal or coal briquettes.
- The fire bowl is designed to burn small logs - approx 100mm /4in in diameter or less (as a guide) and a total fuel load not exceeding 7 KGS at any one time. Exceeding this recommendation may damage the fire bowl or fire pit body.



WARNING:

- Never overload the fire bowl as this will lead to a hazardous situation that may damage the fire pit components.

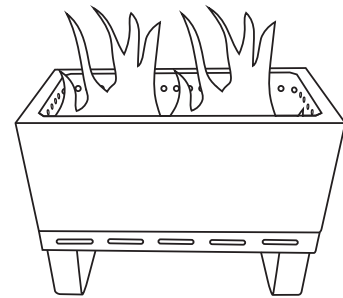


FIRST FIRING

When using the fire pit for the first time - always start with a small fire and allow this to run until the initial fuel load is burnt through. This will assist the fire pit materials to cure and settle.

STARTING THE FIRE

- Use a small amount of kindling and some fire starters - or wadded newspaper to get the fire started.
- Once the kindling is alight, you can slowly start to add some more firewood.
- Add firewood as required - but never overload the fire bowl.

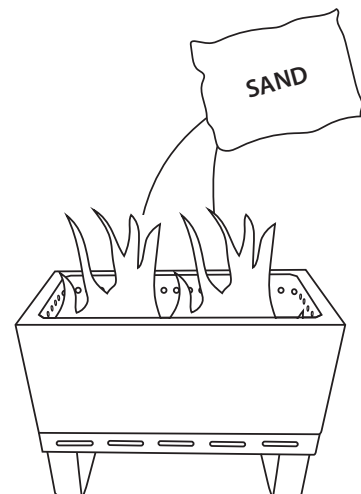


EXTINGUISHING THE FIRE

Avoid using cold water to extinguish the flames as this may damage fire pit.

Generally, the fire should always be allowed to die out naturally. However, if immediate shutdown of the fire is required, use sand to smother the flames. As a safety precaution, always remember that coals can remain hot and glowing for up to a few days.

When emptying the fire bowl for cleaning or maintenance, always use a steel bucket to retain left over coals and sand.



CARE AND MAINTENANCE

Maintaining and caring for your fire pit is easy, with just a few simple steps to follow.

IMPORTANT TIPS:

- Never clean the fire pit or fire bowl when it is hot or still contains hot coals.
- Always allow the fire pit to cool completely before cleaning or maintenance.
- Avoid using harsh chemical cleaners, sprays or highly abrasive cleaning tools.
- Do not use high pressure water blasting devices to clean the surfaces of the fire pit body as this may damage or remove the surface coating.
- Always check any cleaning product on a small area of the underside of the product to confirm it is safe to use.

AFTER EACH USE

- Burnt wood and ash will collect in the tray. To maintain uninterrupted air flow for the product to work effectively and to avoid fires igniting underneath the fire bowl, the tray must be cleaned out after each use.
- When the fire pit has cooled down, carefully lift off the fire bowl off the base. Thoroughly clean out all the ash and burnt wood from the tray.
- Empty any debris from fire bowl into a metal container or bucket.
- Gently scrub the fire bowl with a sponge (or old scouring pad) with a mild detergent and warm water.
- Rinse the bowl with clean water and dry.
- Once you have cleaned the fire bowl and tray, position the fire bowl onto the base, ensuring all four corners are securely fitted..
- To maintain the look of the fire bowl and protect the steel, it should be re-painted as needed, using a high temperature paint. (Available from your retailer).

PERIODIC MAINTENANCE

- Depending on the amount of use - at least once or twice a year - the fire pit and fire bowl should be cleaned according to the care and maintenance instructions supplied in these instructions.
- The fire bowl should be inspected to ensure it is not cracked or split. In the event the fire bowl is cracked or split, discontinue use immediately. Contact Mayo Hardware in the event your fire bowl has split or cracked.
- If your Fire Pit needs to be re-painted, it is important this can be done as soon as possible. Exposed metal without paint will lead to the surface rusting.

STORAGE

When not in use, the fire pit should be protected from long term exposure to the elements: e.g. Sun, Wind, Rain. Move the fire pit to a covered outdoor space or store the unit in a dry environment, for example, a garage or suitable storage space.

The fire pit should be covered to prevent exposure to moisture or dust and to prevent rusting.

WARRANTY

Our goods come with guarantees that cannot be excluded under the Australian Consumer Law. You are entitled to a replacement or refund for a major failure and for compensation for any other reasonably foreseeable loss or damage. You are also entitled to have the goods repaired or replaced if the goods fail to be of acceptable quality and the failure does not amount to a major failure. The benefits to the consumer given by this warranty are in addition to other rights and remedies of the consumer under the law in relation to the goods and services to which the warranty relates.

Term

Mayo Hardware Pty Ltd warrants this Aurus Fire Pit to be free from manufacturing defects for a period of 12 months commencing from the date of purchase.

Conditions

- This warranty covers manufacturer's faults and defects only.

Items not covered by this warranty:

- Working surfaces or components (fire bowl) unless it is a clear defect or manufacturing fault.
- Surface rust.
- Corrosion of the metal fire bowl as a result of exposure to rain or elements.
- Paint wearing or peeling.
- Damage caused by adverse weather conditions, fair wear and tear, accidents, misuse, negligence, fire, flood, hail, earthquakes or other natural disasters.
- Alternations or repairs undertaken by an unauthorised service person.
- Damage to third party property.
- This warranty does not extend to commercial use of the product.

If a defect occurs during the warranty period and you wish to obtain a replacement, please forward to Mayo Hardware Pty Ltd a written description and photographs of the claimed defect, and a copy of the original receipt or proof of purchase. Full documentation must be provided within 28 days of the occurrence that leads to a claim. Any expenses incurred by the consumer in making the warranty claim are at the cost of the consumer.

Mayo Hardware Pty Ltd reserves the right to determine manufacturing faults at their discretion. In the interests of ongoing product development and improvement the manufacturer reserves the right to discontinue or change specifications or designs at any time without notice and without incurring obligations.

For warranty or technical support, please call Mayo Hardware Pty Ltd.

REGISTER YOUR FIRE PIT

Register your fire pit for warranty

We recommend you register your Aurus Fire Pit to make it easier for you in the event you ever have any warranty claims.

To register your warranty please scan the QR code to be taken to our online registration page.

We recommend you register your Aurus Fire Pit for potential warranty claims.



Made in China exclusively for Mayo Hardware PTY LTD
4 Secombe Place, Moorebank NSW 2170 Australia
AU Customer Service: 1300 360 211
NZ Customer Service: 09 415 6240
heating@mayohardware.com.au

© Copyright 2023 Mayo Hardware Pty Ltd. All rights reserved.
All material within this document is protected under copyright.
No part of this document shall be reproduced for any purpose
without the express written consent of Mayo Hardware.