

RYOBI®

OED1850

ORIGINAL INSTRUCTIONS

Cordless Edger



Important!

It is essential that you read the instructions in this manual before assembling, operating and maintaining this machine.

Subject to technical modification.

Fig. 1

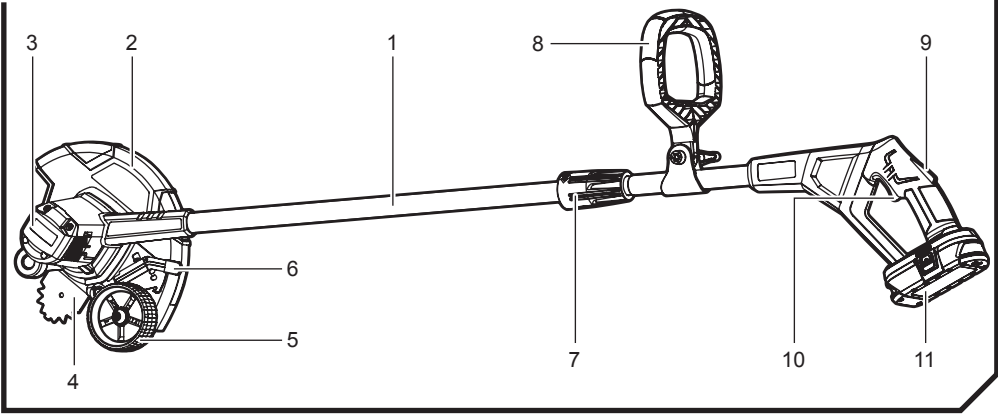


Fig. 2

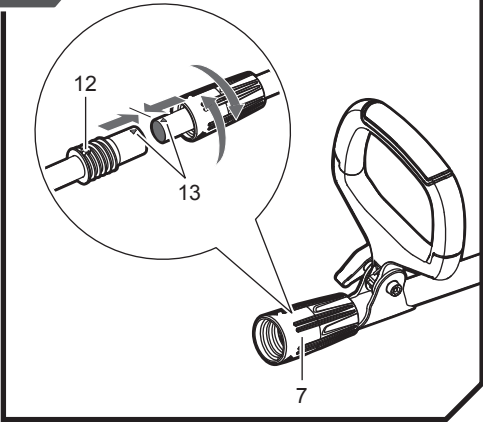


Fig. 3

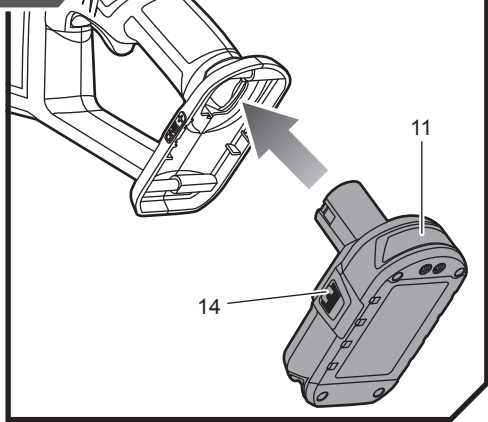


Fig. 4

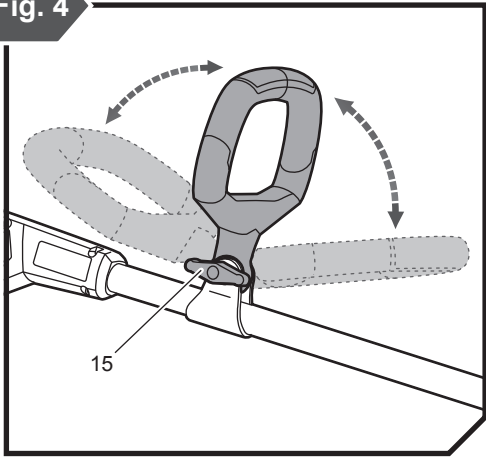


Fig. 5

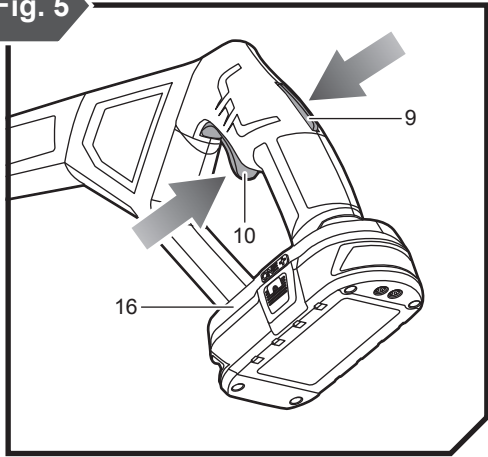


Fig. 6

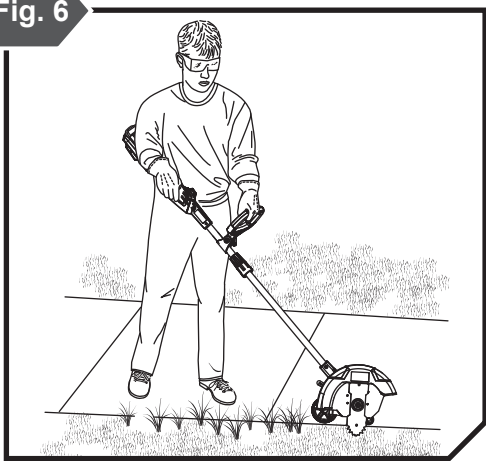


Fig. 7

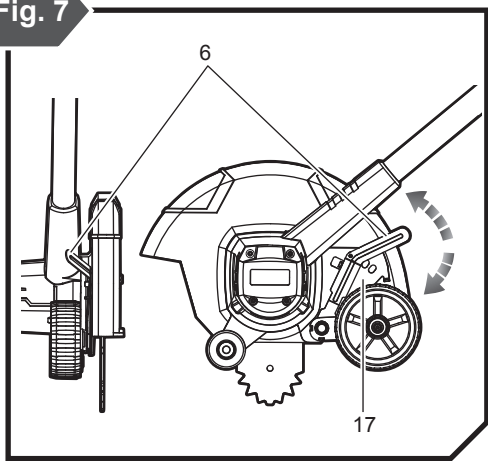


Fig. 8

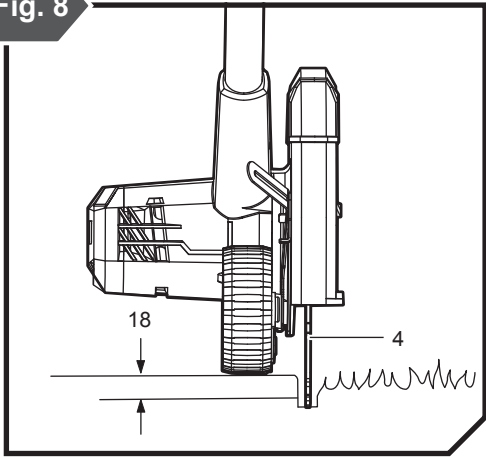


Fig. 9

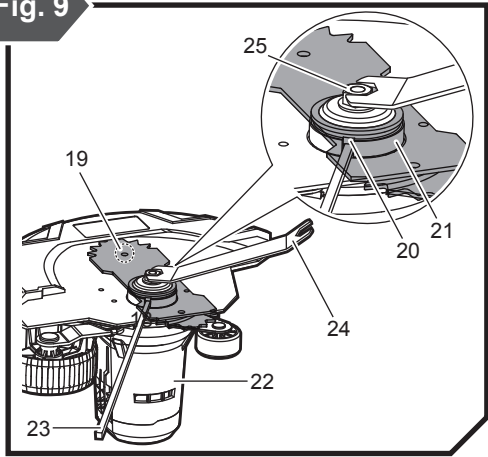
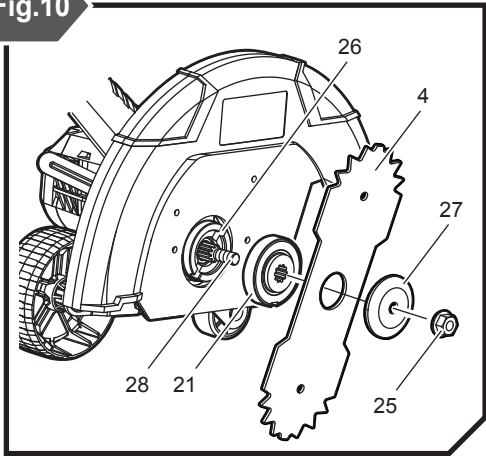


Fig.10



GENERAL SAFETY WARNINGS

WARNING

Read all safety warnings and all instructions. Failure to follow the warnings and instructions may result in electric shock, fire and/or serious injury.

Save all warnings and instructions for future reference.

The term “power tool” in the warnings refers to your mains-operated (corded) power tool or battery-operated (cordless) power tool.

WORK AREA SAFETY

- **Keep work area clean and well lit.** Cluttered or dark areas invite accidents.
- **Do not operate power tools in explosive atmospheres, such as in the presence of flammable liquids, gases or dust.** Power tools create sparks which may ignite the dust or fumes.
- **Keep children and bystanders away while operating a power tool.** Distractions can cause you to lose control.

ELECTRICAL SAFETY

- **Power tool plugs must match the outlet. Never modify the plug in any way. Do not use any adapter plugs with earthed (grounded) power tools.** Unmodified plugs and matching outlets will reduce risk of electric shock.
- **Avoid body contact with earthed or grounded surfaces, such as pipes, radiators, ranges and refrigerators.** There is an increased risk of electric shock if your body is earthed or grounded.
- **Do not expose power tools to rain or wet conditions.** Water entering a power tool will increase the risk of electric shock.
- **Do not abuse the cord. Never use the cord for carrying, pulling or unplugging the power tool. Keep cord away from heat, oil, sharp edges or moving parts.** Damaged or entangled cords increase the risk of electric shock.
- **When operating a power tool outdoors, use an extension cord suitable for outdoor use.** Use of a cord suitable for outdoor use reduces the risk of electric shock.
- **If operating a power tool in a damp location is unavoidable, use a residual current device (RCD) protected supply.** Use of an RCD reduces the risk of electric shock.

PERSONAL SAFETY

- **Stay alert, watch what you are doing and use common sense when operating a power tool. Do not use a power tool while you are tired or under the influence of drugs, alcohol or medication.** A moment of inattention while operating power tools may result in serious personal injury.
- **Use personal protective equipment. Always wear eye protection.** Protective equipment such as dust

mask, non-skid safety shoes, hard hat, or hearing protection used for appropriate conditions will reduce personal injuries.

- **Prevent unintentional starting. Ensure the switch is in the off-position before connecting to power source and/or battery pack, picking up or carrying the tool.** Carrying power tools with your finger on the switch or energising power tools that have the switch on invites accidents.
- **Remove any adjusting key or wrench before turning the power tool on.** A wrench or a key left attached to a rotating part of the power tool may result in personal injury.
- **Do not overreach. Keep proper footing and balance at all times.** This enables better control of the power tool in unexpected situations.
- **Dress properly. Do not wear loose clothing or jewellery. Keep your hair, clothing and gloves away from moving parts.** Loose clothes, jewellery or long hair can be caught in moving parts.
- **If devices are provided for the connection of dust extraction and collection facilities, ensure these are connected and properly used.** Use of dust collection can reduce dust-related hazards.

POWER TOOL USE AND CARE

- **Do not force the power tool. Use the correct power tool for your application.** The correct power tool will do the job better and safer at the rate for which it was designed.
- **Do not use the power tool if the switch does not turn it on and off.** Any power tool that cannot be controlled with the switch is dangerous and must be repaired.
- **Disconnect the plug from the power source and/or the battery pack from the power tool before making any adjustments, changing accessories, or storing power tools.** Such preventive safety measures reduce the risk of starting the power tool accidentally.
- **Store idle power tools out of the reach of children and do not allow persons unfamiliar with the power tool or these instructions to operate the power tool.** Power tools are dangerous in the hands of untrained users.
- **Maintain power tools. Check for misalignment or binding of moving parts, breakage of parts and any other condition that may affect the power tool's operation. If damaged, have the power tool repaired before use.** Many accidents are caused by poorly maintained power tools.
- **Keep cutting tools sharp and clean.** Properly maintained cutting tools with sharp cutting edges are less likely to bind and are easier to control.
- **Use the power tool, accessories and tool bits etc. in accordance with these instructions, taking into account the working conditions and the work to be performed.** Use of the power tool for operations different from those intended could result in a hazardous situation.

BATTERY TOOL USE AND CARE

- **Recharge only with the charger specified by the manufacturer.** A charger that is suitable for one type of battery pack may create a risk of fire when used with another battery pack.
- **Use power tools only with specifically designated battery packs.** Use of any other battery packs may create a risk of injury and fire.
- **When battery pack is not in use, keep it away from other metal objects, like paper clips, coins, keys, nails, screws or other small metal objects, that can make a connection from one terminal to another.** Shorting the battery terminals together may cause burns or a fire.
- **Under abusive conditions, liquid may be ejected from the battery; avoid contact. If contact accidentally occurs, flush with water. If liquid contacts eyes, additionally seek medical help.** Liquid ejected from the battery may cause irritation or burns.

SERVICE

- **Have your power tool serviced by a qualified repair person using only identical replacement parts.** This will ensure that the safety of the power tool is maintained.

WARNING

Injuries may be caused, or aggravated, by prolonged use of a tool. When using any tool for prolonged periods, ensure you take regular breaks.

SPECIAL SAFETY WARNINGS

WARNING

When using the product, the safety rules must be followed. For your own safety and that of bystanders, please read these instructions before operating the product. Please keep the instructions safe for later use.

WARNING

This power tool is not intended for use by children or person with reduced physical, mental or sensory capabilities. Children should be adequately supervised to ensure they do not play with the power tool.

- Some regions have regulations that restrict the use of the product to some operations. Check with your local authority for advice.
- To avoid using the product in bad weather especially there is a risk of lightning.
- Use the product in daylight or good artificial light.
- Avoid using on wet grass.
- Keep proper footing and balance at all times.
- Do not walk backwards when using the product.
- Walk, never run.
- Keep the head attachment below waist level.

- Do not cut on surfaces other than grass on ground.
- Never use the product with damaged guards or without guards in place.
- Keep hands and feet away from the cutting means at all times and especially when switching on the motor.
- Beware of objects thrown by the cutting blade.
- Switch off and remove the battery pack before:
 - servicing
 - leaving the product unattended
 - cleaning your product
 - changing accessories
 - checking for any damage after hitting an object
 - checking for any damage if the product starts to vibrate abnormally
 - performing maintenance
- Wear protective glasses or goggles.
- Always ensure that ventilation openings are kept clear of debris.
- Do not operate the equipment while barefoot or when wearing sandals or similar lightweight footwear. Wear protective footwear that will protect your feet and improve your footing on slippery surfaces.
- Do not use tool if switch trigger does not turn it on or off. Any tool that can not be controlled with the switch trigger is dangerous and must be repaired.
- Don't grasp the exposed cutting edges when picking up or holding the appliance.
- Replace dull or worn blade, do not attempt to sharpen.
- Do not use the edger on or near gravel surfaces.
- Make yourself familiar with the area you are edging. Be aware of uneven sidewalks and holes in the terrain as well as other similar hazardous conditions.
- Do not attempt to remove cut material nor hold material to be cut when the motor is running or when the cutting blade is moving.
- A coasting blade can cause injury while it continues to spin after the motor is stopped or throttle trigger released. Maintain proper control until the blade has completely stopped rotating.
- It has been reported that vibrations from hand-held tools may contribute to a condition called Raynaud's Syndrome in certain individuals. Identify safety measures to protect yourself based on an estimation of exposure in the actual conditions of use, taking account of all parts of the operating cycle such as the times when the tool is switched off and when it is running idle in addition to the trigger time. Limit the amount of exposure per day.

Inspection after dropping or other impacts

thoroughly inspect the product and identify any affected or damaged parts. Any part that is damaged should be properly repaired or replaced by an authorized service centre.

TRANSPORTING LITHIUM BATTERIES

Transport the battery in accordance with local and national provisions and regulations.

Follow all special requirements on packaging and labelling

when transporting batteries by a third party. Ensure that no batteries can come in contact with other batteries or conductive materials while in transport by protecting exposed connectors with insulating, non-conductive caps or tape. Do not transport batteries that are cracked or leaking. Check with the forwarding company for further advice.

INTENDED USE

The product is intended for edging along sidewalks, driveway, flower beds, and similar areas.

The product is not allowed to be used for cutting or chopping hedges, shrubs, bushes, flowers and compost.

OVERLOAD PROTECTION

Ryobi 18 V lithium-ion batteries are designed with features that protect the lithium-ion cells and maximise battery life. If the tool stops during use, the following may be the causes:

- The maximum current draw of the battery has been exceeded, causing it to automatically stop powering the tool. Release the trigger to reset the tool and pull the trigger to resume operation.
- Excessive temperatures will cause the battery to stop powering the tool. Feel the battery pack; if it is too warm, allow it to cool down.

RESIDUAL RISKS

Even with the intended use of the appliance, there is other risk which cannot be prevented. The following list of potential hazards should be read and understood.

- Contact with the blade could result in serious personal injury.

FEATURES

KNOW YOUR PRODUCT

See Figure 1.

The safe use of this product requires an understanding of the information on the tool and in this operator's manual as well as a knowledge of the project you are attempting. Before use of this product, familiarize yourself with all operating features and safety rules.

EDGER WHEEL

The edger wheel allows for more stable cutting performance while edging.

DEPTH ADJUSTMENT LEVER

The depth adjustment lever allows user to control depth of cut.

ADJUSTABLE FRONT HANDLE

The front handle assembly can be adjusted for ease of operation and to help prevent loss of control, and can be positioned above or below the coupler.

HANDLE OVERMOLD

Handle overmold provides added user comfort.

LOCK-OUT

The lock-out prevents accidental starting.

ASSEMBLY

UNPACKING

This product requires assembly.

- Carefully remove the product and any accessories from the box. Make sure that all items listed in the packing list are included.

⚠ WARNING

Do not use this product if any parts on the Packing List are already assembled to your product when you unpack it. Parts on this list are not assembled to the product by the manufacturer and require customer installation. Use of a product that may have been improperly assembled could result in serious personal injury.

Inspect the product carefully to make sure no breakage or damage occurred during shipping.

- Do not discard the packing material until you have carefully inspected and satisfactorily operated the product.
- If any parts are damaged or missing, please call Ryobi Customer Service for assistance:
AUS: 1300 361 505
NZ: 0800 279 624

PACKING LIST

Power head
Edger Attachment
Holding Pin
Wrench
Operator's Manual

⚠ WARNING

If any parts are damaged or missing do not operate this product until the parts are replaced. Use of this product with damaged or missing parts could result in serious personal injury.

⚠ WARNING

Do not attempt to modify this product or create accessories not recommended for use with this product. Any such alteration or modification is misuse and could result in a hazardous condition leading to possible serious personal injury.

⚠ WARNING

To prevent accidental starting that could cause serious personal injury, always remove the battery pack from the product when assembling parts.

CONNECTING THE POWER HEAD TO THE EDGER ATTACHMENT

See Figure 2.

WARNING

Never install, remove, or adjust any attachment while power head is running or with the battery pack installed. Failure to stop the motor or remove the battery pack can result in serious personal injury.

The attachment connects to the power head by means of a coupler device.

- Remove the battery pack if installed.
- Align the arrows on the edger attachment and the power head. Then, insert the plug on the attachment into the opening on the coupler. Make sure the plug is fully seated.
- Slide the threaded coupler on the power head onto the threaded base on the attachment and turn the coupler clockwise. Tighten securely.

NOTE: Once assembled correctly, the edger attachment and power head should not separate when pulled. Repeat above steps if pieces can be separated.

WARNING

Failure to secure the edger attachment and power head as instructed above could result in serious personal injury.

REMOVING THE EDGER ATTACHMENT FROM THE POWER HEAD

- Remove the battery pack.
- Turn the coupler counterclockwise to unlock. Then remove the edger shaft from the power head.

DESCRIPTION

Figure 1

1. Edger attachment shaft
2. Blade guard
3. Motor
4. Blade
5. Guide wheel
6. Depth adjusting lever
7. Coupler
8. Front handle
9. Lock-out
10. Switch trigger
11. 18 V battery

Figure 2

7. Coupler
12. Base
13. Arrow

Figure 3

11. 18 V battery
14. Latch

Figure 4

15. Knob

Figure 5

9. Lock-out
10. Switch trigger
16. 18 V power head

Figure 7

6. Depth adjusting lever
17. Wheel arm

Figure 8

4. Blade
18. Blade depth

Figure 9

19. Indicator hole
20. Slots
21. Inner flange
22. Motor housing
23. Pin
24. Wrench
25. Flange nut

Figure 10

4. Blade
21. Inner flange
25. Flange nut
26. Motor ring
27. Outer flange
28. Motor shaft

OPERATION

WARNING

Do not allow familiarity with products to make you careless. Remember that a careless fraction of a second is sufficient to inflict serious injury.

WARNING

Always wear eye protection with side shields marked to comply with standards. Failure to do so could result in objects being thrown into your eyes resulting in possible serious injury.

WARNING

Do not use any attachments or accessories not recommended by the manufacturer of this product. The use of attachments or accessories not recommended can result in serious personal injury.

Depending on the power head you are using, this product will accept Ryobi 18 V battery packs.

For complete charging instructions, refer to the Operator's Manuals for your Ryobi battery pack and charger models.

NOTE: To avoid serious personal injury, always remove the battery pack and keep hands clear of the lock-out button when carrying or transporting the tool.

TO INSTALL BATTERY PACK

See Figure 3.

WARNING

Always remove battery pack from your tool when you are assembling parts, making adjustments, cleaning, or when not in use. Removing battery pack will prevent accidental starting that could cause serious personal injury.

- Insert the battery pack into the product as shown.

WARNING

Make sure the latch (or latches) on the battery pack snap in place and the battery pack is fully seated and secure in the power head battery port before beginning operation. Failure to securely seat the battery pack could cause the battery pack to fall out, resulting in serious personal injury.

TO REMOVE BATTERY PACK

See Figure 3.

- Depress the latches on the battery pack.
- Remove the battery pack.

WARNING

To avoid serious personal injury, always remove the battery pack and keep hands clear of the lock-out when carrying or transporting the tool.

ADJUSTABLE FRONT HANDLE

See Figure 4.

The angle of the front handle can be adjusted 180°.

- Remove the battery pack.
- Set the edger on a flat surface and turn the knob counterclockwise to loosen the handle.
- For edging, adjust the handle downward.
- Turn the knob clockwise until the handle is securely tightened before reinstalling the battery pack.

STARTING /STOPPING THE EDGER

See Figure 5.

To start:

- Press and hold the lock-out.
- Depress the switch trigger.

To stop:

- Release the switch trigger to stop the edger.
- Upon release of the switch trigger, the lock-out will automatically reset to the locked position.

OPERATING THE EDGER

See Figure 6.

- Hold the edger with your right hand on the rear handle and your left hand on the front handle.
- Keep a firm grip with both hands while in operation.
- Edger should be held at a comfortable position with the rear handle about hip height.

- The edger will edge along sidewalks, driveways, flower beds, curbs, and similar areas.
- Cut at a steady pace. If the blade begins to bog down, you are edging too fast; slow your pace. Do not force the blade into ground.
- Light contact of the blade against the sidewalk edge, curb, etc., is acceptable and will not damage the edger.
- Best appearance is obtained when grass is dry. Avoid edging in wet soil or wet grass areas or the blade guard might clog and result in an uneven edge. If the blade guard becomes clogged, stop the edger, remove the battery, and remove debris from the blade guard.

WARNING

Always hold the edger away from the body keeping clearance between the body and the edger. Any contact with the edger cutting head while operating can result in serious personal injury.

ADJUSTING DEPTH OF CUT

See Figure 7-8.

- Remove the battery pack.
- Loosen the depth adjusting lever and move the wheel arm up to increase the depth or down to decrease the depth.
- Lever locks into one of four positions.
- Replace the battery pack.

NOTE: Adjust the blade depth from 13 mm (1/2 in.) to 25 mm (1 in.) deep initially. Make a shallow cut to test the cutting depth. If the cutting depth needs adjusting, this should be done progressively until the desired depth is reached.

MAINTENANCE

WARNING

When servicing, use only identical replacement parts. Use of any other parts may create a hazard or cause product damage.

WARNING

To avoid serious personal injury, always remove the battery pack from the tool when cleaning or performing any maintenance.

GENERAL MAINTENANCE

- Use only manufacturer's recommended replacement parts and accessories.
- After each use, clean with a soft dry cloth.
- Before and after each use, inspect the entire product for damaged, missing, or loose parts such as screws, nuts, bolts, caps, etc. Tighten securely all fasteners and caps and do not operate this product until all missing or damaged parts are replaced. Please call Ryobi Customer Service or contact an authorized service center for assistance.

- Avoid using solvents when cleaning plastic parts. Most plastics are susceptible to damage from various types of commercial solvents and may be damaged by their use. Use clean cloths to remove dirt, dust, oil, grease, etc

WARNING

Do not at any time let brake fluids, gasoline, petroleum based products, penetrating oils, etc., come in contact with plastic parts. Chemicals can damage, weaken or destroy plastic which may result in serious personal injury.

Only the parts shown on the parts list are intended to be repaired or replaced by the customer. All other parts should be replaced at an Authorized Service Center.

REPLACING THE BLADE

See Figures 9 - 10.

Replace blades when worn down to indicator hole on blade.

- Remove the battery pack.
- Wear gloves when handling blade.
- Align the slot in the inner flange with the slot in the motor ring; place the holding pin through both slots to secure in place.
- Using the wrench (included), turn the flange nut counterclockwise to loosen.
- Remove the old blade from the motor shaft.
- Clean debris from the edger shaft, inner flange and outer flange.
- Center the new blade on the inner flange, making sure the blade sits flat.
- Properly install the outer flange with the raised center area with the hole not touching the blade and the outer ring of the outer flange touching the blade.
- Install the flange nut onto the motor shaft and reinsert the holding pin into the slots as described above.
- Using a wrench, turn the flange nut clockwise onto the edger shaft and tighten securely.

WARNING

Always make sure the blade is correctly installed and securely fastened before each use. Failure to properly install the blade may result in serious personal injury.

STORING THE EDGER

- Remove the battery pack from the edger before storing.
- Clean all foreign material from the edger.
- Store it in a place that is inaccessible to children.
- Keep away from corrosive agents such as garden chemicals and de-icing salts.

ENVIRONMENTAL PROTECTION



Recycle raw materials instead of disposing of as waste. The machine, accessories and packaging should be sorted for environmental-friendly recycling.

SYMBOL



Safety alert



Please read the instructions carefully before starting the machine.



Wear ear protection.



Wear eye protection.



Beware of thrown or flying objects. Keep all bystanders at least 15 m away.



Avoid using in wet or damp conditions.



Keep feet away from rotating blade.



Direction of blade rotation.



Waste electrical products should not be disposed of with household waste. Please recycle where facilities exist. Check with your Local Authority or retailer for recycling advice.

The following signal words and meanings are intended to explain the levels of risk associated with this product:

DANGER

Indicates an imminently hazardous situation, which, if not avoided, will result in death or serious injury.

WARNING

Indicates a potentially hazardous situation, which, if not avoided, could result in death or serious injury.

CAUTION

Indicates a potentially hazardous situation, which, if not avoided, may result in minor or moderate injury.

CAUTION

Without safety alert symbol

Indicates a situation that may result in property damage.

PRODUCT SPECIFICATIONS

Voltage	DC 18 Volts
Blade length	220 mm
No load speed	4,000 min ⁻¹
Cutting depth	6.3 - 38 mm
Weight (without battery)	3.3 kg

BATTERY AND CHARGER

Battery pack	Not included
Charger	Not included
Compatible battery packs (not included)	BPL-1815, BPL-1820, RB18L13, RB18L15, RB18L25, RB18L26, RB18L40

REPLACEMENT PART

Blade	RAC1104
-------	---------



Imported by:

Techtronic Industries (Australia) Pty. Ltd.

Level 1, 660 Doncaster Road

Doncaster, VIC 3108, Australia

Techtronic Industries New Zealand Ltd.

18-26 Amelia Earhart Avenue

Mangere, Auckland 2022, New Zealand